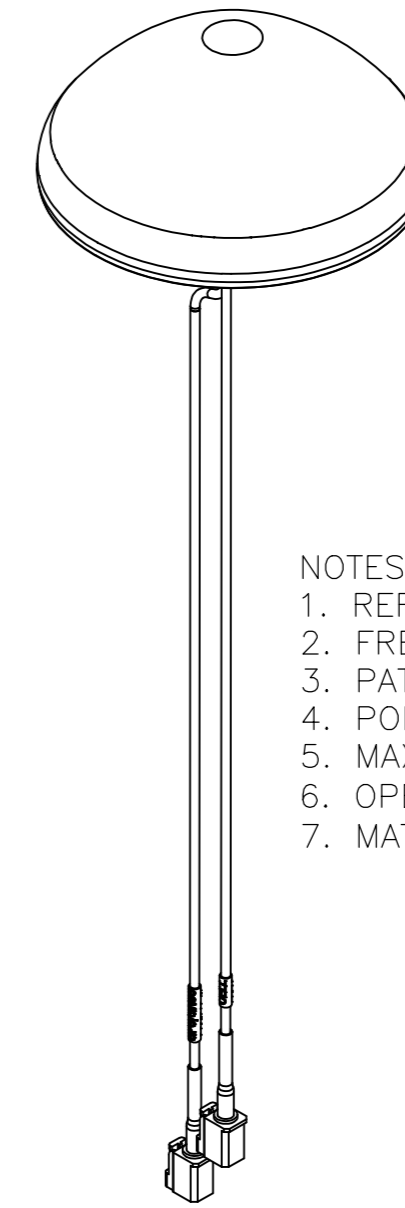
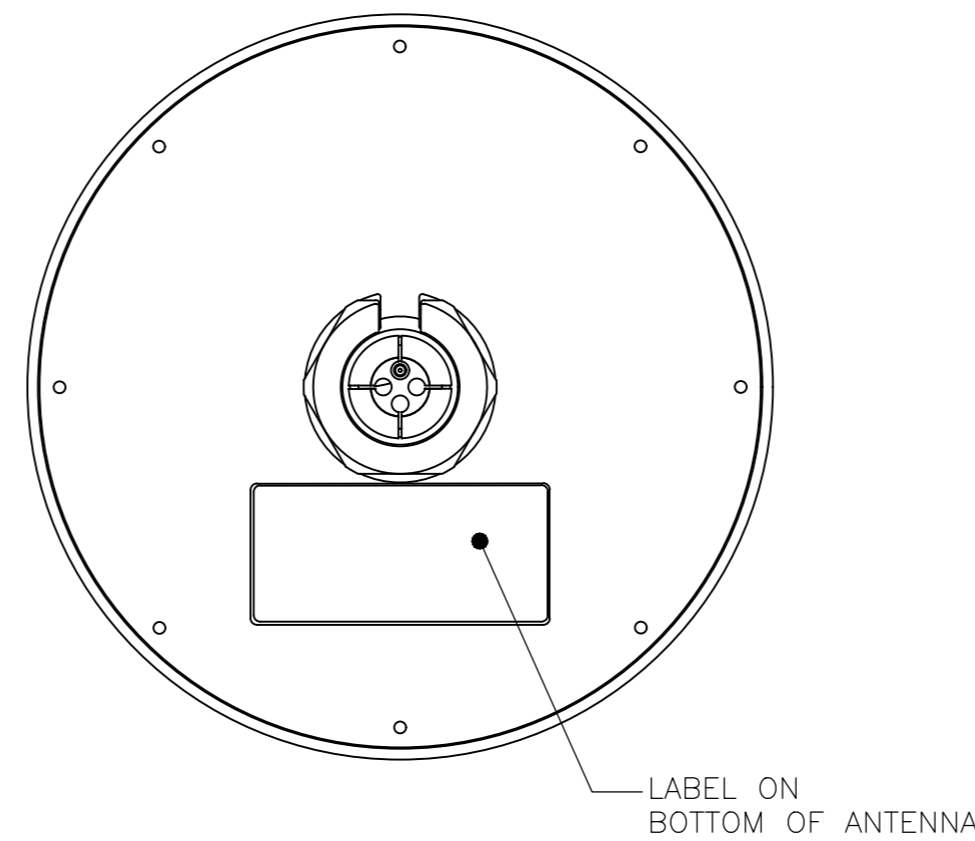
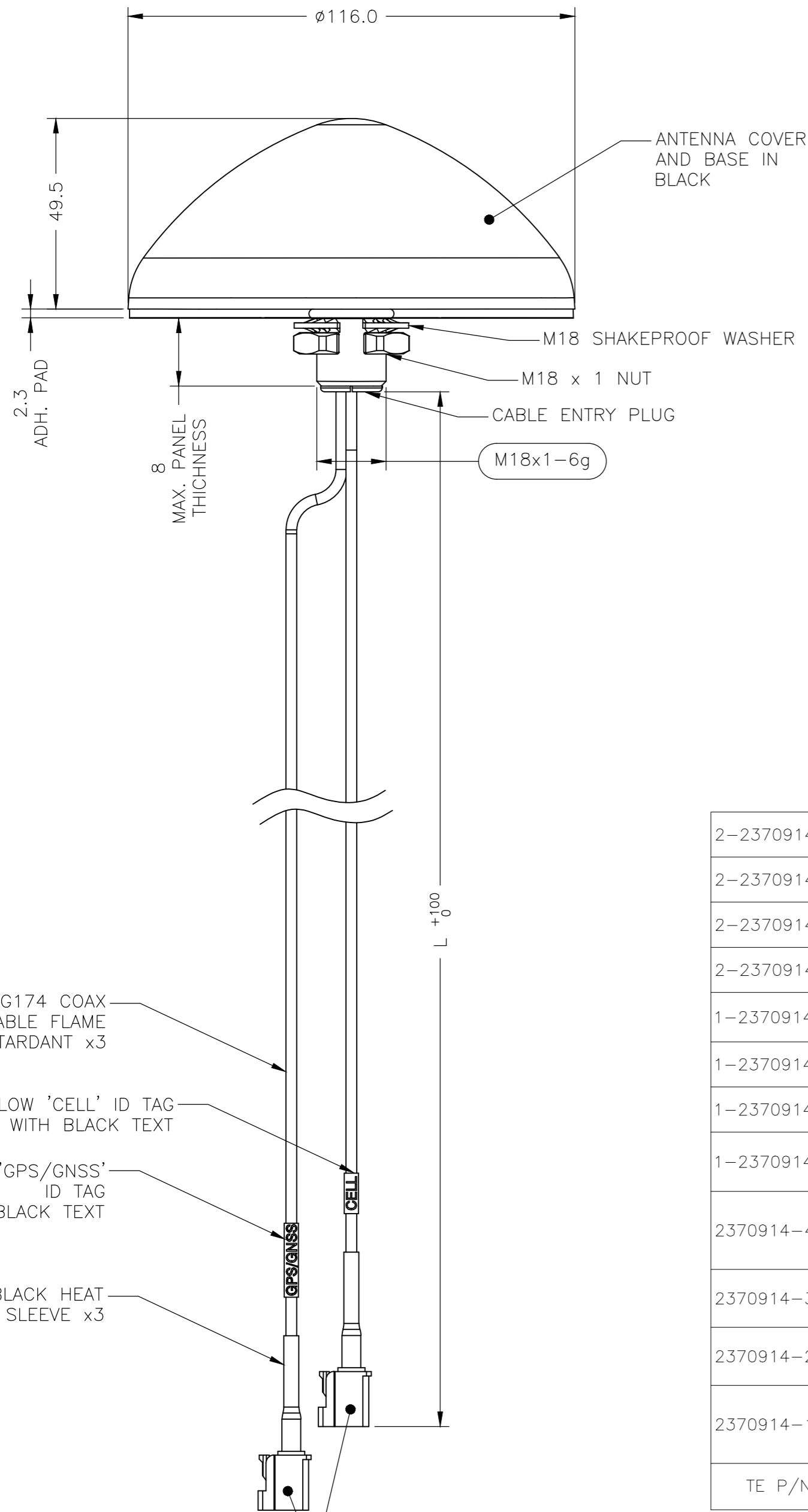
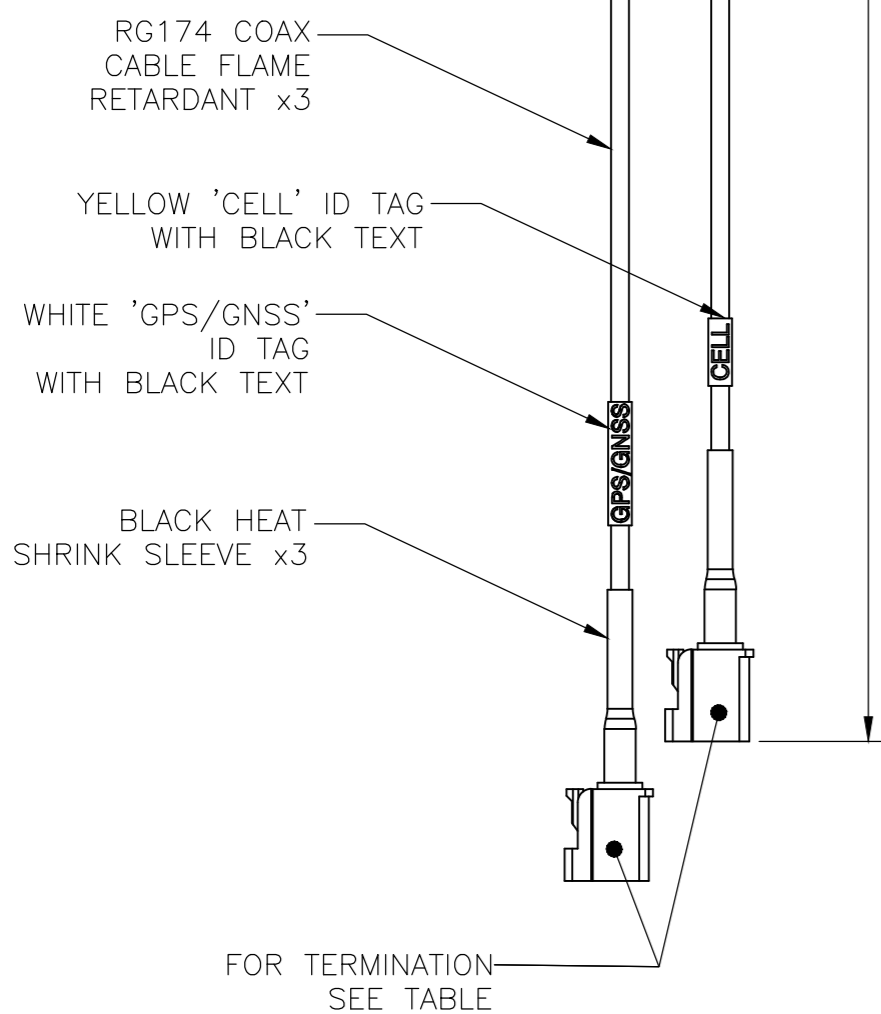


REVISIONS					
P	LTR	DESCRIPTION	DATE	DWN	APVD
A		INITIAL RELEASE	06APR2020	GK	ES



- NOTES:
1. REFER DATASHEET: 2370914
  2. FREQUENCY RANGE: SEE TABLE
  3. PATTERN: OMNI-DIRECTIONAL
  4. POLARIZATION: VERTICAL
  5. MAX. INPUT POWER: 20 Watts
  6. OPERATING TEMPERATURE: -40 TO +85°C (-40 TO 185°F)
  7. MATERIAL: ASA, BLACK



TE P/N	DESCRIPTION	FREQUENCY RANGE	CABLE TYPE (MEETS UN ECE 118)	OPERATIONAL BANDS	LENGTH	TERMINATION
2-2370914-4	LOW PROFILE IOT ANTENNA CELL SMA 1m	CELLULAR:698-960/1710-3800MHZ	CELLULAR : RG 174	2G/3G/ 3.5GHz 5G	1m (3'3")	CELLULAR : SMA (m)
2-2370914-3	LOW PROFILE IOT ANTENNA CELL FAKRA 1m					CELLULAR : FAKRA D JACK
2-2370914-2	LOW PROFILE IOT ANTENNA CELL FAKRA 3m				3m (10')	CELLULAR : SMA (m)
2-2370914-1	LOW PROFILE IOT ANTENNA CELL SMA 3m					
1-2370914-4	LOW PROFILE IOT ANT CELL/GPS SMA 1m	CELLULAR:698-960/1710-3800MHZ GNSS:1562-1612MHZ	CELLULAR : RG 174 Wi-Fi : RG 174	2G/3G/ 3.5GHz 5G, GPS/GNSS	1m (3'3")	CELLULAR : SMA (m) GNSS : SMA (m)
1-2370914-3	LOW PROFILE IOT ANT CELL/GPS FAKRA 1m					CELLULAR : FAKRA D JACK GNSS : FAKRA C JACK
1-2370914-2	LOW PROFILE IOT ANT CELL/GPS FAKRA 3m				3m (10')	CELLULAR : SMA (m) GNSS : SMA (m)
1-2370914-1	LOW PROFILE IOT ANT CELL/GPS SMA 3m					
2370914-4	LOW PROFILE IOT ANT CELL/Wifi/GPS SMA 1m	CELLULAR:698-960/1710-3800MHZ Wi-Fi:2400-2485/4900-6000MHZ GNSS:1562-1612MHZ	CELLULAR : RG 174 Wi-Fi : RG 174 GNSS : RG 174	2G/3G/3.5GHz 5G, GPS/GNSS, Wi-Fi	1m (3'3")	CELLULAR : SMA (m) Wi-Fi : SMA REV POL GNSS : SMA PLUG
2370914-3	LOW PROFI IOT ANT CELL/Wifi/GPS FAKRA 1m					CELLULAR : FAKRA D JACK Wi-Fi : FAKRA I JACK GNSS : FAKRA C JACK
2370914-2	LOW PROFI IOT ANT CELL/Wifi/GPS FAKRA 3m				3m (10')	CELLULAR : SMA (m) Wi-Fi : SMA REV POL GNSS : SMA (m)
2370914-1	LOW PROFILE IOT ANT CELL/Wifi/GPS SMA 3m					

1-2370914-2 AS SHOWN

THIS DRAWING IS A CONTROLLED DOCUMENT.		DWN 19MAR2020 GOPALAKRISHNA H.V.																
		CHK 19MAR2020 GOPALAKRISHNA H.V.																
		APVD 19MAR2020 E STELLINGA	NAME LOW PROFILE IOT ANTENNA															
DIMENSIONS: mm		TOLERANCES UNLESS OTHERWISE SPECIFIED:	SIZE	CAGE CODE	DRAWING NO	RESTRICTED TO												
<table border="1"> <tr><td>0 PLC</td><td>± 0.5</td></tr> <tr><td>1 PLC</td><td>± 0.2</td></tr> <tr><td>2 PLC</td><td>± 0.1</td></tr> <tr><td>3 PLC</td><td>± -</td></tr> <tr><td>4 PLC</td><td>± -</td></tr> <tr><td>ANGLES</td><td>± 1°</td></tr> </table>		0 PLC	± 0.5	1 PLC	± 0.2	2 PLC	± 0.1	3 PLC	± -	4 PLC	± -	ANGLES	± 1°	PRODUCT SPEC	A2	00779	C=2370914	-
0 PLC	± 0.5																	
1 PLC	± 0.2																	
2 PLC	± 0.1																	
3 PLC	± -																	
4 PLC	± -																	
ANGLES	± 1°																	
MATERIAL		FINISH	WEIGHT	SCALE	SHEET	REV												
			-	1:1	1 of 1	A												
CUSTOMER DRAWING																		