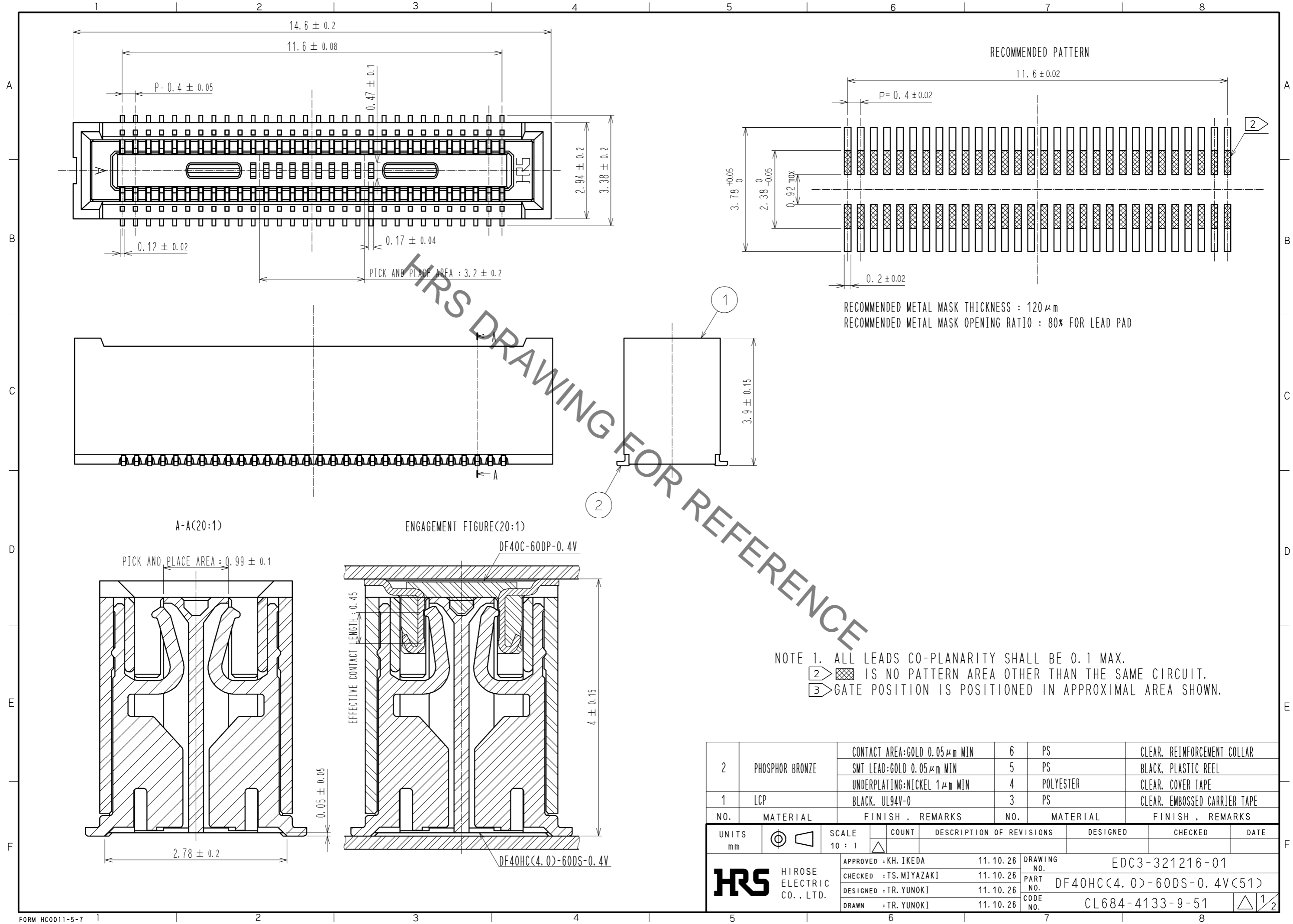


Jun.1.2020 Copyright 2020 HIROSE ELECTRIC CO., LTD. All Rights Reserved.  
 In case of consideration for using Automotive equipment / device which demand high reliability, kindly contact our sales window correspondents.



NO.	MATERIAL	FINISH . REMARKS	NO.	MATERIAL	FINISH . REMARKS
2	PHOSPHOR BRONZE	CONTACT AREA:GOLD 0.05 μm MIN SMT LEAD:GOLD 0.05 μm MIN UNDERPLATING:NICKEL 1 μm MIN	6	PS	CLEAR, REINFORCEMENT COLLAR
1	LCP	BLACK, UL94V-0	3	PS	CLEAR, EMBOSSED CARRIER TAPE

UNITS	SCALE	COUNT	DESCRIPTION OF REVISIONS	DESIGNED	CHECKED	DATE
mm	10 : 1	△	APPROVED : KH. IKEDA 11.10.26 CHECKED : TS. MIYAZAKI 11.10.26 DESIGNED : TR. YUNOKI 11.10.26 DRAWN : TR. YUNOKI 11.10.26			

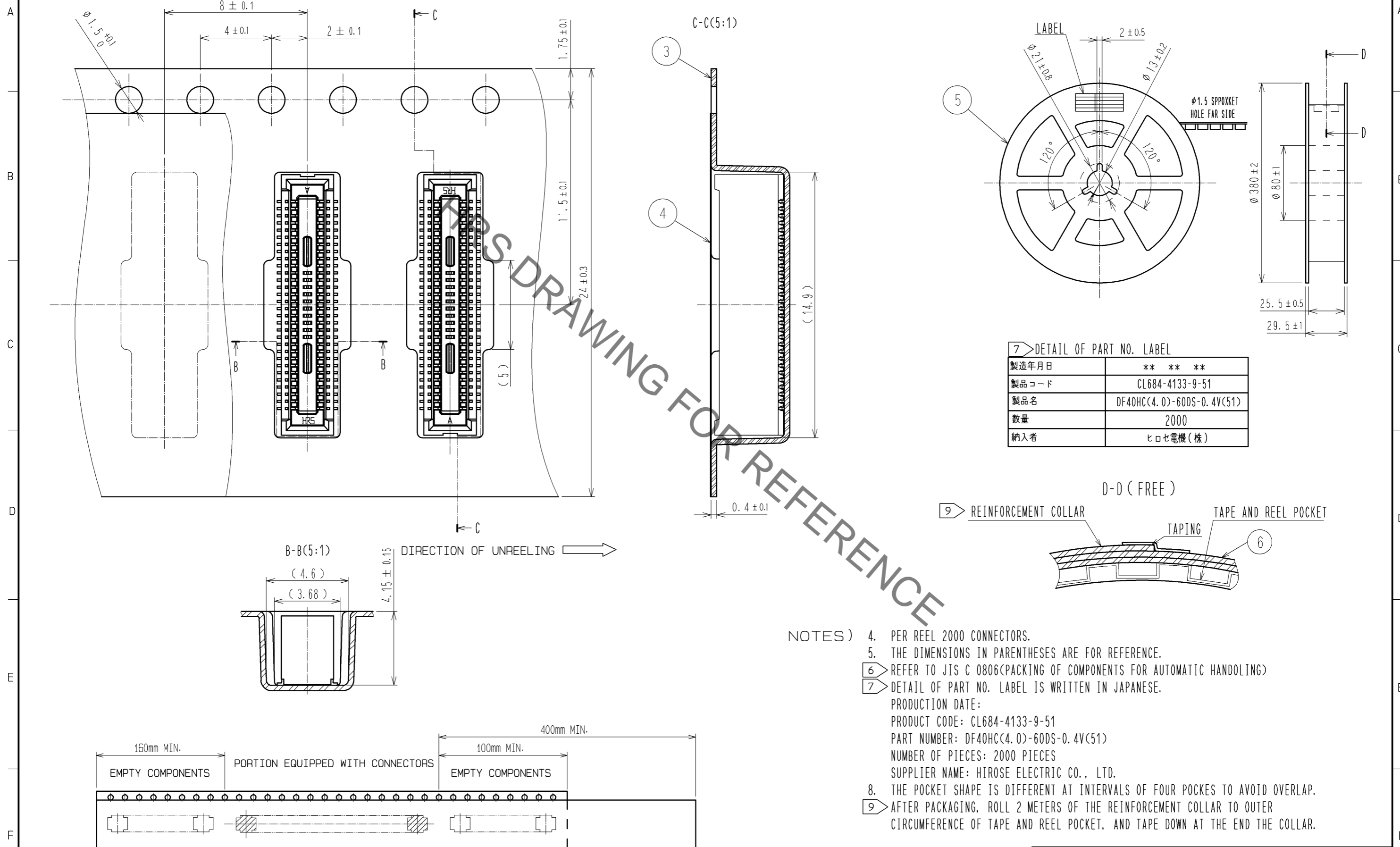
  

DRAWING NO.	PART NO.	CODE NO.
EDC3-321216-01	DF40HC(4.0)-60DS-0.4V(51)	CL684-4133-9-51

Jun.1.2020 Copyright 2020 HIROSE ELECTRIC CO., LTD. All Rights Reserved.  
In case of consideration for using Automotive equipment / device which demand high reliability, kindly contact our sales window correspondents.

SCALE (5:1)

STYLE AND DIMENSION OF REEL (FREE SIZE)



7> DETAIL OF PART NO. LABEL

製造年月日	** ** *
製品コード	CL684-4133-9-51
製品名	DF40HC(4.0)-60DS-0.4V(51)
数量	2000
納入者	ヒロセ電機(株)

- NOTES)
- PER REEL 2000 CONNECTORS.
  - THE DIMENSIONS IN PARENTHESSES ARE FOR REFERENCE.
  - REFER TO JIS C 0806(PACKING OF COMPONENTS FOR AUTOMATIC HANDLING)
  - DETAIL OF PART NO. LABEL IS WRITTEN IN JAPANESE.  
PRODUCTION DATE:  
PRODUCT CODE: CL684-4133-9-51  
PART NUMBER: DF40HC(4.0)-60DS-0.4V(51)  
NUMBER OF PIECES: 2000 PIECES  
SUPPLIER NAME: HIROSE ELECTRIC CO., LTD.
  - THE POCKET SHAPE IS DIFFERENT AT INTERVALS OF FOUR POKCES TO AVOID OVERLAP.
  - AFTER PACKAGING, ROLL 2 METERS OF THE REINFORCEMENT COLLAR TO OUTER CIRCUMFERENCE OF TAPE AND REEL POCKET, AND TAPE DOWN AT THE END THE COLLAR.

<b>HRS</b>	DRAWING NO.	EDC3-321216-01
	PART NO.	DF40HC(4.0)-60DS-0.4V(51)
	CODE NO.	CL684-4133-9-51
		$\triangle$ 2/2