

THIS DRAWING IS UNPUBLISHED.

RELEASED FOR PUBLICATION

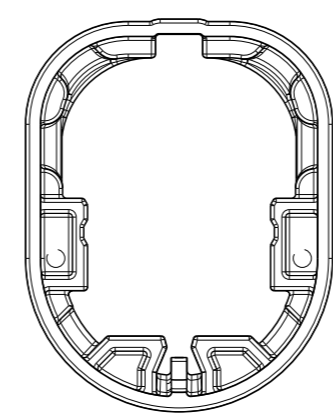
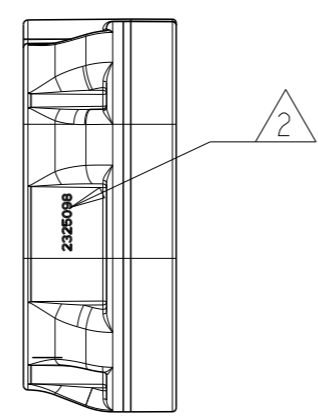
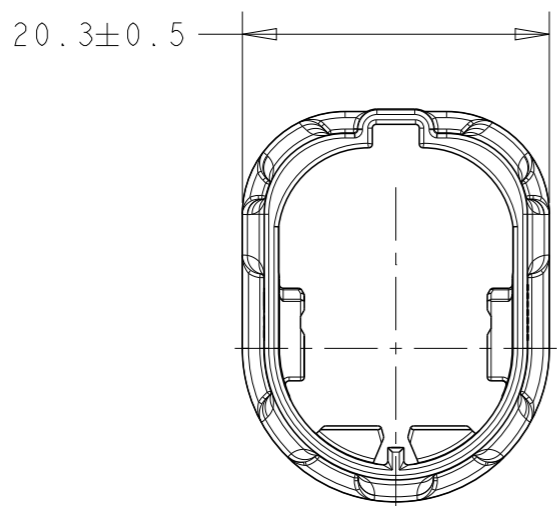
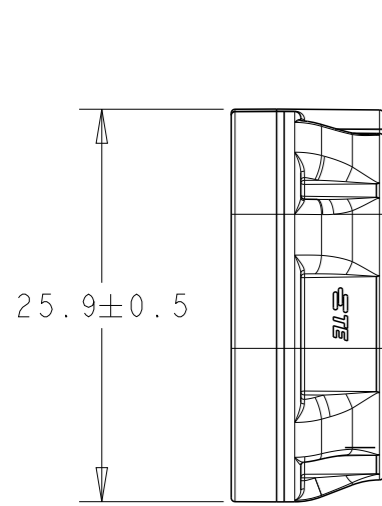
20

© COPYRIGHT 20 BY -

ALL RIGHTS RESERVED.

REVISIONS

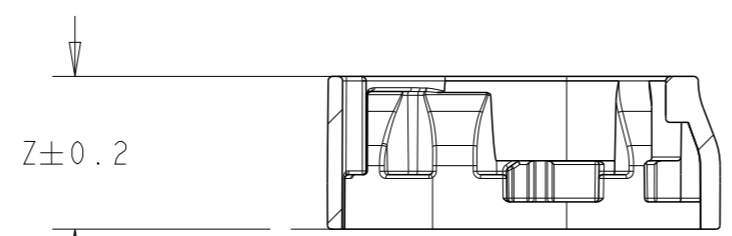
P	LTR	DESCRIPTION	DATE	DWN	APVD
	A	RELEASED PER ECO-19-016585	31OCT2019	DFS	OCD



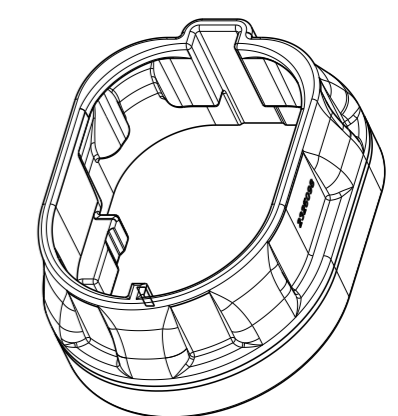
SCALE 2:1

NOTES:

- 1. MATERIAL: PBT-GF30
- △2 TE CONNECTIVITY (TE) PART-NO.
- 3. ASSEMBLES TO:  
2325102-1, 2325102-2, 2325102-3,  
2325102-4, 2325102-5, 2325102-6,  
2325106-X.
- △4 NOT RELEASED FOR PRODUCTION



SECTION B-B  
SCALE 2:1

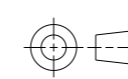


SCALE 2:1

△4	1.0±0.1mm	10.60	GREEN	1.42	2325098-8
△4	2.0±0.1mm	9.60	VIOLET	1.30	2325098-7
	3.0±0.1mm	8.60	YELLOW	1.19	2325098-6
	3.5±0.1mm	8.10	GREY	1.12	2325098-4
	4.5±0.1mm	7.10	BROWN	0.96	2325098-2
	PANEL THICKNESS	DIM Z	COLOR	WEIGHT (g)	TE PART NO

THIS DRAWING IS A CONTROLLED DOCUMENT.

DIMENSIONS:  
mm



TOLERANCES UNLESS OTHERWISE SPECIFIED:

0 PLC	±.
1 PLC	±.
2 PLC	±.
3 PLC	±.
4 PLC	±.
ANGLES	±.
FINISH	-

MATERIAL  
SEE NOTES

DWN 09MAY2018  
RAGHAV SATISH

CHK 09MAY2018  
DANIEL STACK

APVD 31OCT2019  
D. KLEIN

PRODUCT SPEC

108-151045

APPLICATION SPEC

114-151045

WEIGHT SEE TABLE

CUSTOMER DRAWING



TE Connectivity

NAME  
enetSEAL+,  
MNTG CLIP

SIZE	CAGE CODE	DRAWING NO	RESTRICTED TO
A3	00779	C-2325098	-

SCALE	SHEET	OF	REV
5:1	1	1	A