

**THIS PRODUCT MANUFACTURED WITH LEAD-FREE PROCESSING**

**DESIGNED AND DIMENSIONED IN MILLIMETERS[INCHES]  
ALL DIMENSIONS REFERENCE EXCEPT AS SHOWN**

ARC6-XX-XX.X-XX-XX-X-X

DO NOT SCALE FROM THIS PRINT

No OF PAIRS  
-08, -16, \*\*-24

CABLE STYLE  
-1: 34100

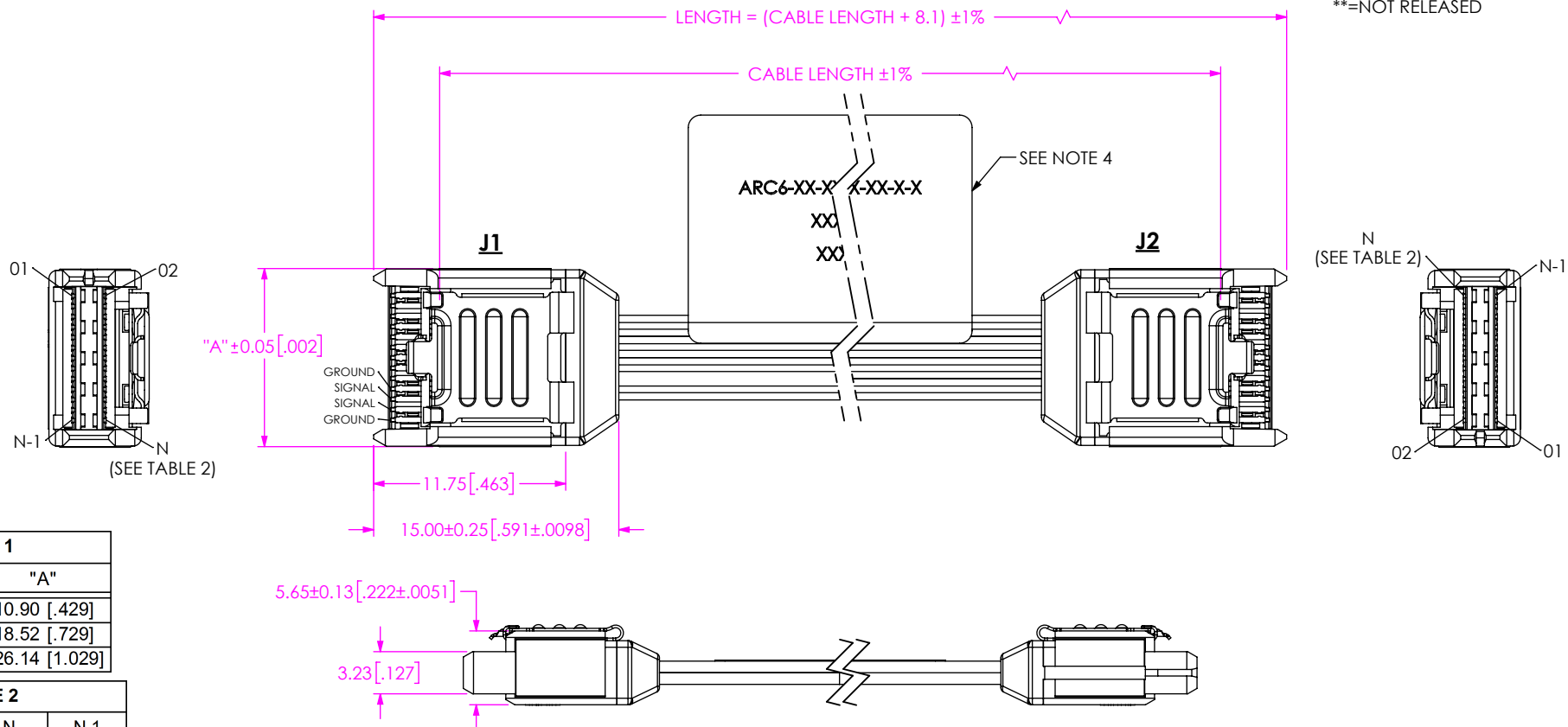
CABLE LENGTH  
-XX.X (INCHES)  
(03.0[76.2] MIN)

WIRING OPTION  
-2: PIN 1 TO PIN 2  
(ONLY WITH END 2 -LD OPTION)  
-3: PIN 1 TO PIN N-1  
(ONLY WITH END 2 -LU OPTION)

END 1  
-LU: LATCH UP

END 2  
-LU: LATCH UP  
-LD: LATCH DOWN

\*\*=NOT RELEASED



**TABLE 1**

NO OF PAIRS	"A"
-08	10.90 [.429]
-16	18.52 [.729]
-24	26.14 [1.029]

**TABLE 2**

No. OF PAIRS	N	N-1
-08	26	25
-16	50	49
-24	74	73

NOTES:

- ALL ASSEMBLIES TO BE 100% HI-POT TESTED AT 300V.
- ALL ASSEMBLIES TO BE 100% ELECTRICALLY TESTED FOR SHORTS AND OPENS.
- CABLE LENGTHS OVER 40.0[1016.0] NOT SUPPORTED BY SI TEST DATA.
- LABEL TO BE CENTERED ON CABLE AS SHOWN. LABEL TO CONTAIN:  
LINE 1 - PART NUMBER "ARC6-XX-XX.X-XX-XX-X-X"  
LINE 2 - SHOP ORDER NUMBER "XXXXXX"  
LINE 3 - DATE CODE "XXXXXX"

FIG 1  
ARC6-08-XX.X-LU-LU-3-X SHOWN

**PROPRIETARY NOTE**  
THIS DOCUMENT CONTAINS CONFIDENTIAL AND PROPRIETARY INFORMATION AND ALL DESIGN, MANUFACTURING, REPRODUCTION, USE, PATENT RIGHTS AND SALES RIGHTS ARE EXPRESSLY RESERVED BY SAMTEC, INC. THIS DOCUMENT SHALL NOT BE DISCLOSED, IN WHOLE OR PART, TO ANY UNAUTHORIZED PERSON OR ENTITY NOR REPRODUCED, TRANSFERRED OR INCORPORATED IN ANY OTHER PROJECT IN ANY MANNER WITHOUT THE EXPRESS WRITTEN CONSENT OF SAMTEC, INC.

DO NOT SCALE DRAWING  
SHEET SCALE: 2:1

MATERIAL:  
INSULATOR: LCP  
TERMINALS: COPPER ALLOY  
LATCH: SS

**samtec**  
520 PARK EAST BLVD., NEW ALBANY, IN 47150  
PHONE: 812-944-6733 FAX: 812-948-5047  
e-Mail info@SAMTEC.com code 55322

DESCRIPTION: **ARC6 CABLE ASSEMBLY**

DWG. NO. **ARC6-XX-XX.X-XX-XX-X-X**

BY: JOE Z 08/12/2017 SHEET 1 OF 3



ARC6-24-XX.X-XX-XX-X-X SIGNAL MAPPING

WIRING OPTION	POSITIONS																																							
-2 (PIN1 TO PIN 2)	J1	1	3	5	7	9	11	13	15	17	19	21	23	25	27	29	31	33	35	37	39	41	43	45	47	49	51	53	55	57	59	61	63	65	67	69	71	73		
	NAME	GND1	PAIR	GND1	PAIR	GND1	PAIR	GND1	PAIR	GND1	PAIR	GND1	PAIR	GND1	PAIR	GND1	PAIR	GND1	PAIR	GND1	PAIR	GND1	PAIR	GND1	PAIR	GND1	PAIR	GND1	PAIR	GND1	PAIR	GND1	PAIR	GND1	PAIR	GND1	PAIR	GND1	PAIR	GND1
	J2	2	4	6	8	10	12	14	16	18	20	22	24	26	28	30	32	34	36	38	40	42	44	46	48	50	52	54	56	58	60	62	64	66	68	70	72	74		
	J1	2	4	6	8	10	12	14	16	18	20	22	24	26	28	30	32	34	36	38	40	42	44	46	48	50	52	54	56	58	60	62	64	66	68	70	72	74		
	NAME	GND2	PAIR	GND2	PAIR	GND2	PAIR	GND2	PAIR	GND2	PAIR	GND2	PAIR	GND2	PAIR	GND2	PAIR	GND2	PAIR	GND2	PAIR	GND2	PAIR	GND2	PAIR	GND2	PAIR	GND2	PAIR	GND2	PAIR	GND2	PAIR	GND2	PAIR	GND2	PAIR	GND2	PAIR	GND2
	J2	1	3	5	7	9	11	13	15	17	19	21	23	25	27	29	31	33	35	37	39	41	43	45	47	49	51	53	55	57	59	61	63	65	67	69	71	73		
-3 (PIN1 TO PIN N-1)	J1	1	3	5	7	9	11	13	15	17	19	21	23	25	27	29	31	33	35	37	39	41	43	45	47	49	51	53	55	57	59	61	63	65	67	69	71	73		
	NAME	GND1	PAIR	GND1	PAIR	GND1	PAIR	GND1	PAIR	GND1	PAIR	GND1	PAIR	GND1	PAIR	GND1	PAIR	GND1	PAIR	GND1	PAIR	GND1	PAIR	GND1	PAIR	GND1	PAIR	GND1	PAIR	GND1	PAIR	GND1	PAIR	GND1	PAIR	GND1	PAIR	GND1	PAIR	GND1
	J2	73	71	69	67	65	63	61	59	57	55	53	51	49	47	45	43	41	39	37	35	33	31	29	27	25	23	21	19	17	15	13	11	9	7	5	3	1		
	J1	2	4	6	8	10	12	14	16	18	20	22	24	26	28	30	32	34	36	38	40	42	44	46	48	50	52	54	56	58	60	62	64	66	68	70	72	74		
	NAME	GND2	PAIR	GND2	PAIR	GND2	PAIR	GND2	PAIR	GND2	PAIR	GND2	PAIR	GND2	PAIR	GND2	PAIR	GND2	PAIR	GND2	PAIR	GND2	PAIR	GND2	PAIR	GND2	PAIR	GND2	PAIR	GND2	PAIR	GND2	PAIR	GND2	PAIR	GND2	PAIR	GND2	PAIR	GND2
	J2	74	72	70	68	66	64	62	60	58	56	54	52	50	48	46	44	42	40	38	36	34	32	30	28	26	24	22	20	18	16	14	12	10	8	6	4	2		
ALL LIKE NAMED GROUNDS ARE COMMON AND TIED TO CABLE SHIELD																																								
ON THE MATING BOARD ASSEMBLY, SAMTEC RECOMMENDS IMPLEMENTING A GND REFERENCE TYING ALL GND'S TOGETHER																																								

**PROPRIETARY NOTE**  
 THIS DOCUMENT CONTAINS CONFIDENTIAL AND PROPRIETARY INFORMATION AND ALL DESIGN, MANUFACTURING, REPRODUCTION, USE, PATENT RIGHTS AND SALES RIGHTS ARE EXPRESSLY RESERVED BY SAMTEC, INC. THIS DOCUMENT SHALL NOT BE DISCLOSED, IN WHOLE OR PART, TO ANY UNAUTHORIZED PERSON OR ENTITY NOR REPRODUCED, TRANSFERRED OR INCORPORATED IN ANY OTHER PROJECT IN ANY MANNER WITHOUT THE EXPRESS WRITTEN CONSENT OF SAMTEC, INC.



520 PARK EAST BLVD, NEW ALBANY, IN 47150  
 PHONE: 812-944-6733 FAX: 812-948-5047  
 e-Mail info@SAMTEC.com code 55322

DO NOT SCALE DRAWING

SHEET SCALE: 2:1

DESCRIPTION:  
 ARC6 CABLE ASSEMBLY

DWG. NO.  
**ARC6-XX-XX.X-XX-XX-X-X**

BY: JOE Z      08/12/2017      SHEET 3 OF 3