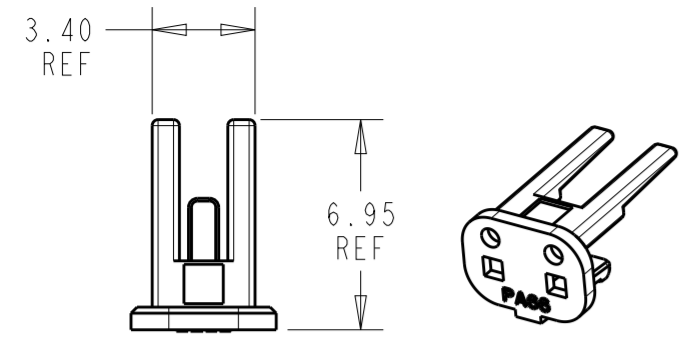
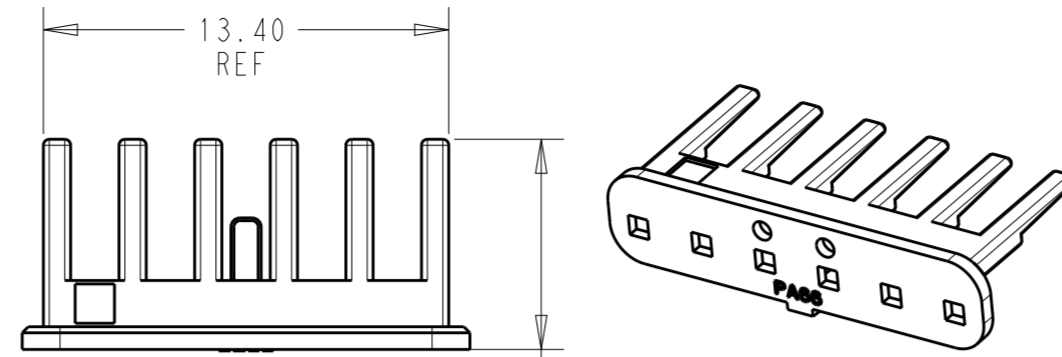
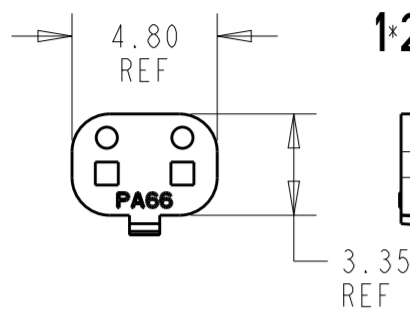


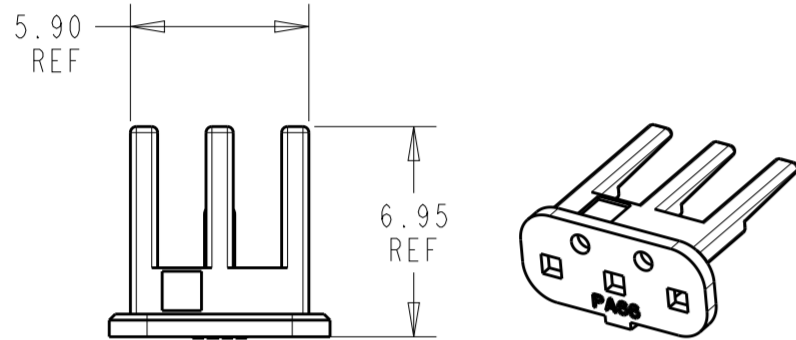
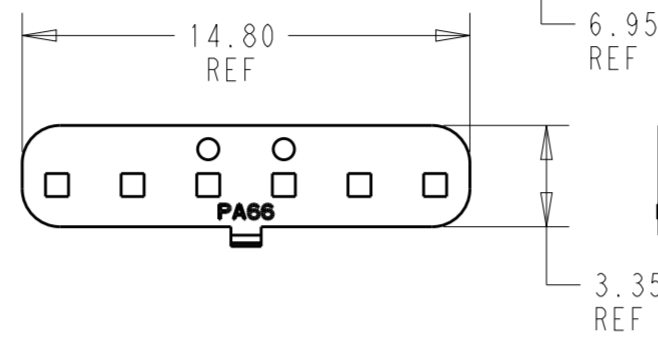
REVISIONS				
P	LTR	DESCRIPTION	DATE	APVD
A		RELEASED PER ECO-20-000545	13JAN2020	BKW SF



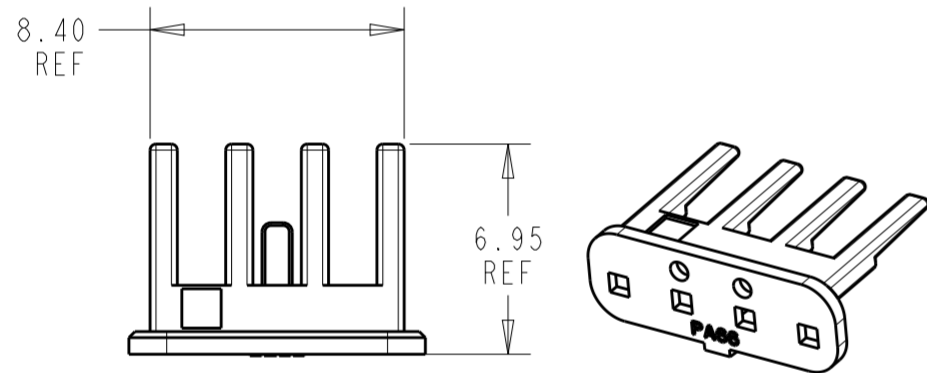
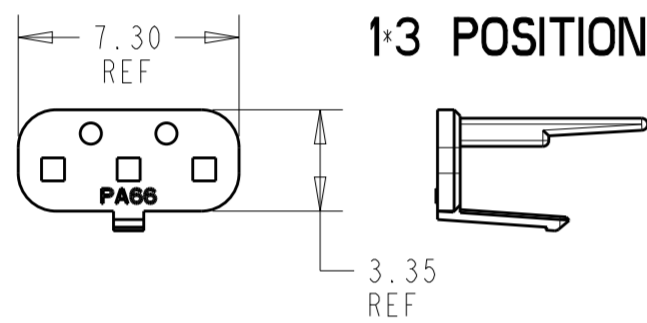
1x2 POSITION



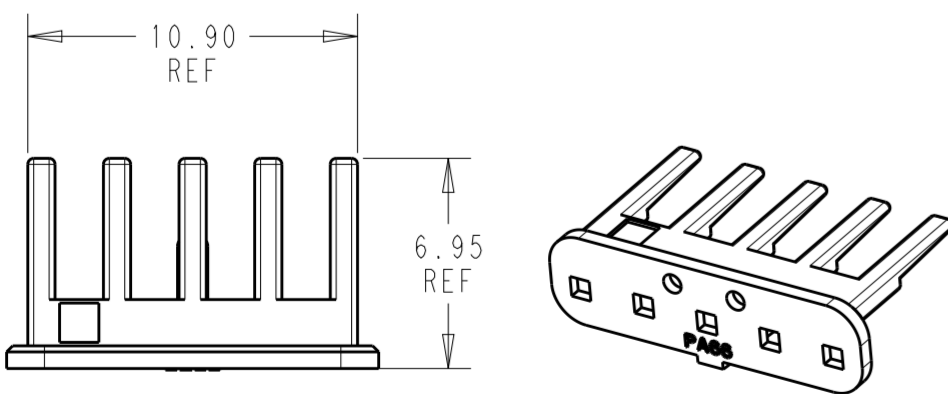
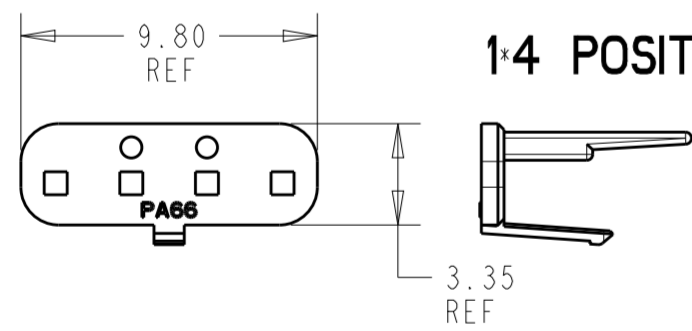
1x6 POSITION



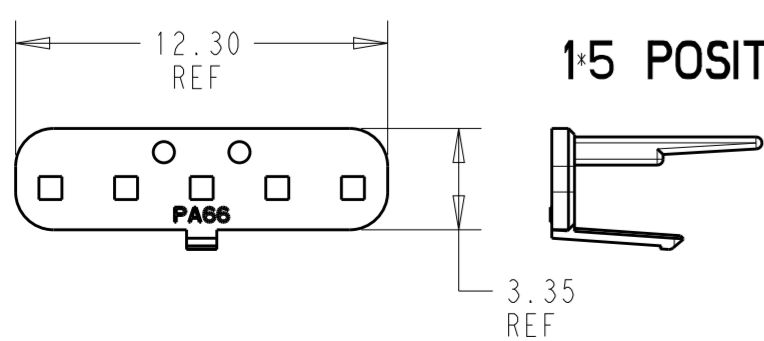
1x3 POSITION



1x4 POSITION



1x5 POSITION



⚠ MATERIAL: NYLON
COLOR: BLACK

2. MATING CONNECTOR P/N'S:
RECEPTACLE HSG: 2321926-*/2321924-*/*-2329544-*

1*6	2321927-6
1*5	2321927-5
1*4	2321927-4
1*3	2321927-3
1*2	2321927-2
POSITIONS	PART NUMBER

THIS DRAWING IS A CONTROLLED DOCUMENT.		DWN B. WEAVER 01FEB2019	TE Connectivity	
DIMENSIONS:		CHK C. YI 01FEB2019		
TOLERANCES UNLESS OTHERWISE SPECIFIED:		APVD C. YI 01FEB2019	NAME FRONT TPA, RECEPTACLE, SDL 2.5 WATERPROOF	
mm	0 PLC ± 1 PLC ± 2 PLC ± 3 PLC ± 4 PLC ± ANGLES ± FINISH -	PRODUCT SPEC -	SIZE A2	
MATERIAL	⚠	APPLICATION SPEC -	CAGE CODE 00779	DRAWING NO C-2321927
CUSTOMER DRAWING		WEIGHT -	RESTRICTED TO -	SCALE 4:1
		SHEET 1 OF 1		REV A