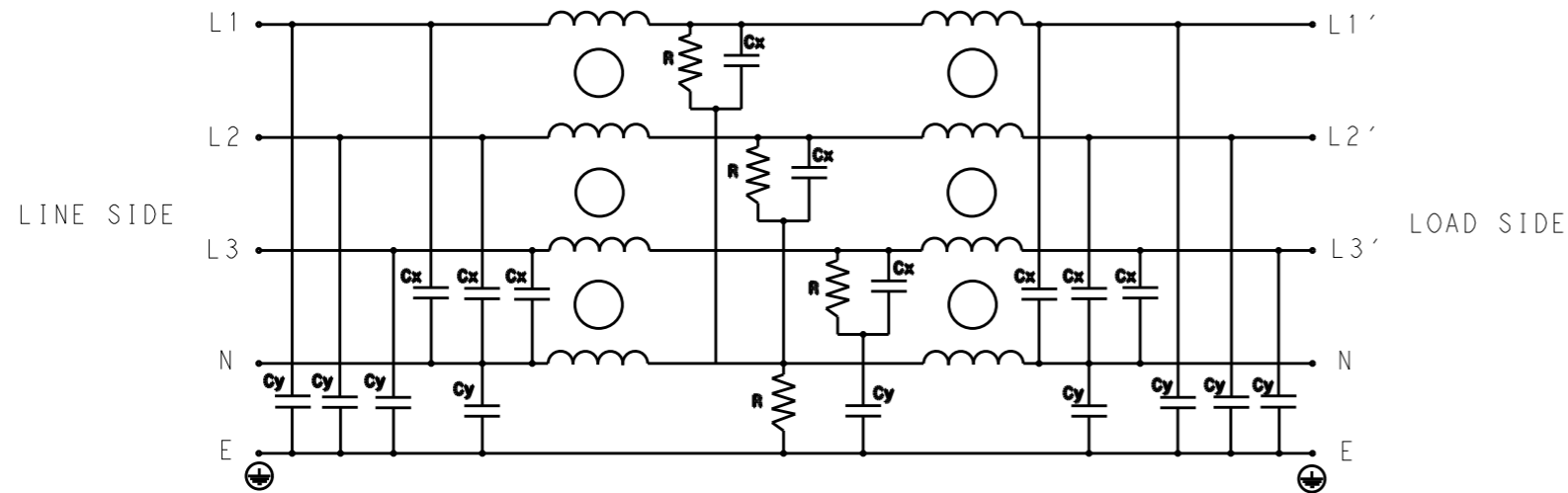


REVISIONS

P	LTR	DESCRIPTION	DATE	DWN	APVD
	B	INITIAL RELEASE	08JUL2020	SB	LI



SCHEMATIC

SAFETY ORGANIZATIONS

THIS FILTER WILL BE FORMALLY RECOGNIZED, CERTIFIED OR APPROVED BY THE LISTED AGENCY. THEREFORE, ALL TEST/REQUIREMENTS SPECIFIED IN THE LATEST REVISION OF THE FOLLOWING AGENCY STANDARDS WILL BE MET:

- UL RECOGNIZED\* 200A 440V 50Hz/60Hz 50°C
- CSA CERTIFIED\*\* 200A 440V 50Hz/60Hz 50°C
- \* 31 JULY 2020 ; \*\* 31 AUGUST 2020

OPERATING SPECIFICATION

LINE CURRENT/VOLTAGE: 200A, 440VAC  
LINE FREQUENCY: 50/60Hz

MAXIMUM LEAKAGE CURRENT: 15mA @ 230VAC, 50Hz

OPERATING AMBIENT TEMPERATURE RANGE @ RATED CURRENT: -10°C TO +50°C

IN AN AMBIENT, T<sub>a</sub>, HIGHER THAN 50°C, THE MAXIMUM OPERATING CURRENT, I<sub>o</sub>, IS AS FOLLOWS:

$$I_o = I_r \sqrt{\frac{105 - T_a}{55}}$$

RELIABILITY SPECIFICATIONS

STORAGE TEMPERATURE: -40°C TO +85°C  
HUMIDITY: 21 DAYS @ 40°C AND 95% RH

TEST SPECIFICATIONS

INDUCTANCE, NOMINAL: 0.16mH

CAPACITANCE @ 1kHz

LINE TO GROUND, NOMINAL: 2.98µF  
NEUTRAL TO GROUND, NOMINAL: 3.3µF  
LINE TO NEUTRAL, NOMINAL: 20.4µF

DISCHARGE RESISTOR

L/L I.R. 2MΩ 2W  
L/N I.R. 1MΩ 2W  
L/G I.R. 2MΩ 2W  
N/G I.R. 1MΩ 2W  
IR (NO DISCHARGE RESISTOR) 20°C, 50% RH AND 100VDC, MIN: 6MΩ

RECOMMENDED RECEIVING INSPECITON HIPOT

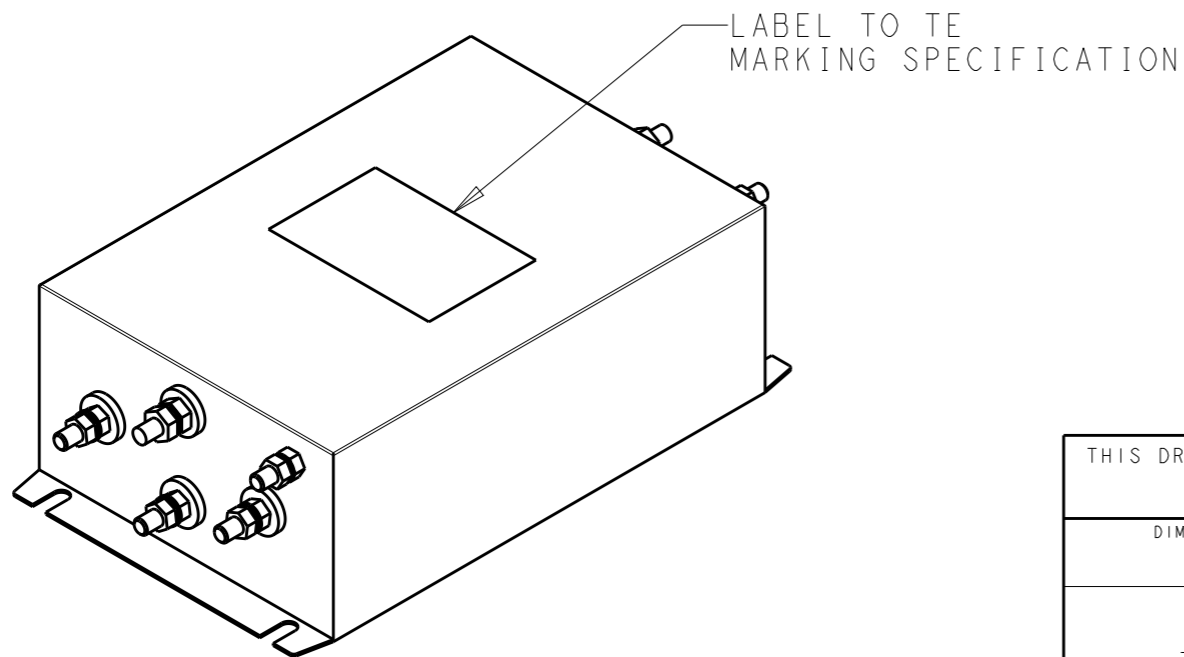
LINE TO GROUND FOR 1 MINUTE: 2632VDC  
LINE TO LINE FOR 1 MINUTE: 1892VDC  
LINE TO NEUTRAL FOR 1 MINUTE: 1093VDC

FILTER APPROVAL

THE BEST WAY TO SELECT AND QUALIFY A FILTER IS FOR YOUR ENGINEERING TO TEST THE UNIT IN YOUR EQUIPMENT.

TYPICAL INSERTION LOSS  
COMMON MODE 50/50Ω; DIFFERENTIAL MODE 50/50Ω

MHz	0.01	0.05	0.15	0.5	1	3	5	10	30
CM	35	38	42	57	50	43	38	32	26
DM	46	42	47	50	45	32	30	20	16



THIS DRAWING IS A CONTROLLED DOCUMENT.		DWN	24FEB2020		
		CHK	24FEB2020		
		APVD	24FEB2020		
		APVD	24FEB2020		
DIMENSIONS: mm		TOLERANCES UNLESS OTHERWISE SPECIFIED:		NAME POWER LINE FILTER 200KEVD10AFPW	
		0 PLC ±- 1 PLC ±0.5 2 PLC ±0.40 3 PLC ±0.130 4 PLC ±0.0500 ANGLES ±-		PRODUCT SPEC -	
MATERIAL		FINISH		APPLICATION SPEC -	
-		-		WEIGHT -	
-		-		CUSTOMER DRAWING	
		SIZE	CAGE CODE	DRAWING NO	RESTRICTED TO
		A3	00779	1-1609998-8	-
		SCALE	SHEET	OF	REV
		1:4	1	2	B

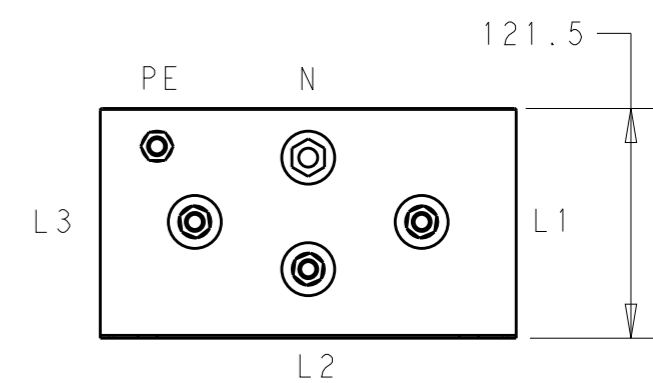
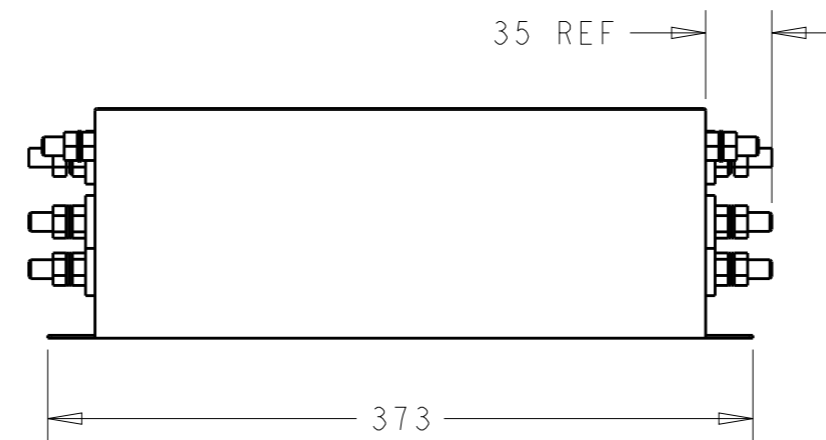
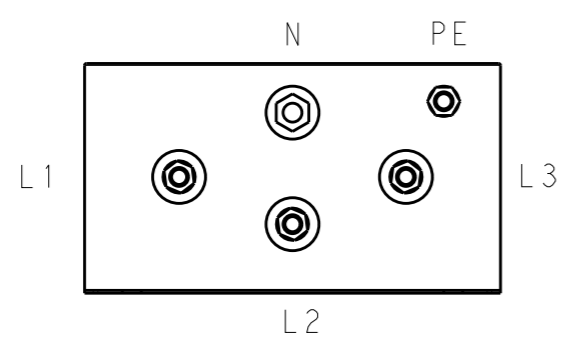
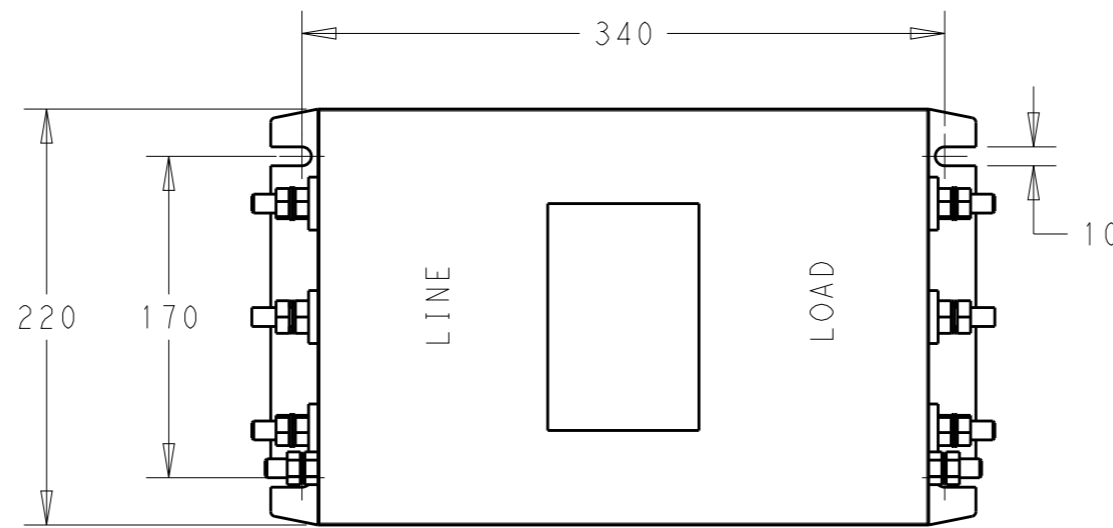
© 2020 TE Connectivity. All Rights Reserved.

NOTE 1 GROUND CONNECTION:  
DO NOT LOOSEN INNER GROUND NUTS.  
TORQUE OUTER TERMINAL /GROUND NUTS: 4-10Nm

NOTE 2 INPUT OUTPUT CONNECTION TERMINAL  
AWG SIZE: XXX  
THREADED BOLT SIZE FOR TERMINAL: M10  
THREADED BOLT SIZE FOR GROUND: M10

REVISIONS

P	LTR	DESCRIPTION	DATE	DWN	APVD
		SEE SHEET 1			



THIS DRAWING IS A CONTROLLED DOCUMENT.		DWN	24FEB2020	<b>TE</b> TE Connectivity			
		CHK	24FEB2020				
		APVD	24FEB2020				
		PRODUCT SPEC	LEO IRUDHAYARAJ				
DIMENSIONS: mm		TOLERANCES UNLESS OTHERWISE SPECIFIED:		NAME			
		0 PLC	±-	POWER LINE FILTER			
		1 PLC	±0.5	200KEVD10AFPW			
		2 PLC	±0.40	SIZE	CAGE CODE	DRAWING NO	RESTRICTED TO
		3 PLC	±0.130	A3	00779	C-1-1609998-8	-
MATERIAL		FINISH		SCALE	SHEET	OF	REV
-		-		1:4	2	2	B
CUSTOMER DRAWING							