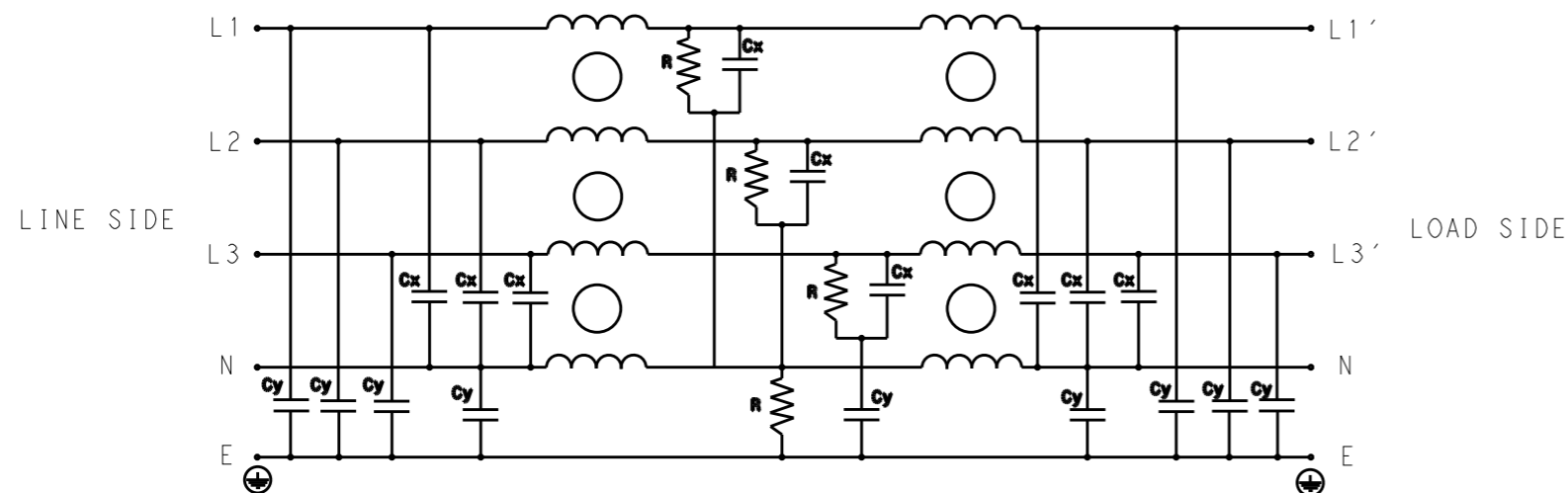


P	LTR	DESCRIPTION	DATE	DWN	APVD
	B	INITIAL RELEASE	08JUL2020	SB	LI



SCHMATIC

SAFETY ORGANIZATIONS

THIS FILTER WILL BE FORMALLY RECOGNIZED, CERTIFIED OR APPROVED BY THE LISTED AGENCY. THEREFORE, ALL TEST/REQUIREMENTS SPECIFIED IN THE LATEST REVISION OF THE FOLLOWING AGENCY STANDARDS WILL BE MET:

UL RECOGNIZED* 200A 520V 50Hz/60Hz 50°C
 CSA CERTIFIED** 200A 520V 50Hz/60Hz 50°C
 *31 JULY 2020 ; **31 AUGUST 2020

OPERATING SPECIFICATION

LINE CURRENT/VOLTAGE: 200A, 520VAC
 LINE FREQUENCY: 50/60Hz

MAXIMUM LEAKAGE CURRENT: 15mA @ 230VAC, 50Hz

OPERATING AMBIENT TEMPERATURE RANGE @ RATED CURRENT: -10°C TO +50°C

IN AN AMBIENT, T_a, HIGHER THAN 50°C, THE MAXIMUM OPERATING CURRENT, I_o, IS AS FOLLOWS:

$$I_o = I_r \sqrt{\frac{105 - T_a}{55}}$$

RELIABILITY SPECIFICATIONS

STORAGE TEMPERATURE: -40°C TO +85°C
 HUMIDITY: 21 DAYS @ 40°C AND 95% RH

TEST SPECIFICATIONS

INDUCTANCE, NOMINAL: 0.16mH

CAPACITANCE @ 1kHz

LINE TO GROUND, NOMINAL: 2.98µF
 NEUTRAL TO GROUND, NOMINAL: 3.3µF
 LINE TO NEUTRAL, NOMINAL: 20.4µF

DISCHARGE RESISTOR

L/L I.R. 2MΩ 2W
 L/N I.R. 1MΩ 2W
 L/G I.R. 2MΩ 2W
 N/G I.R. 1MΩ 2W
 IR (NO DISCHARGE RESISTOR) 20°C, 50% RH AND 100VDC, MIN: 6MΩ

RECOMMENDED RECEIVING INSPECTION HIPOT

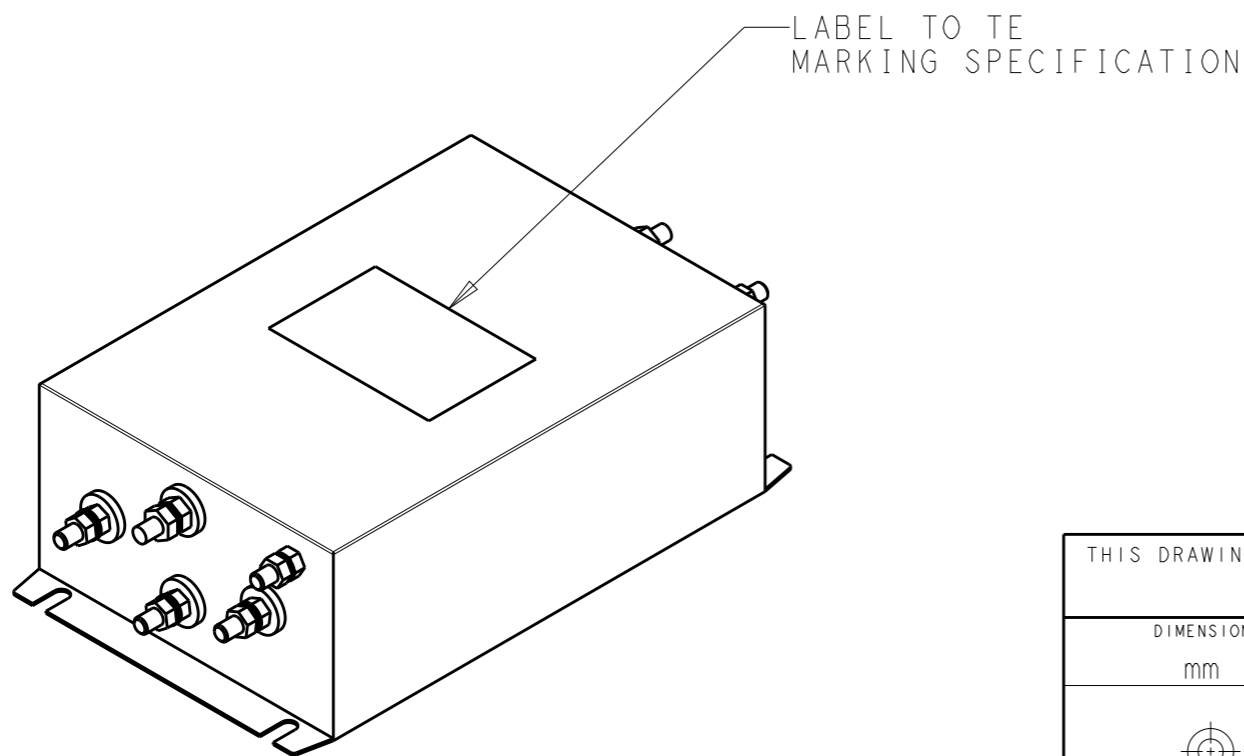
LINE TO GROUND FOR 1 MINUTE: 2856VDC
 LINE TO LINE FOR 1 MINUTE: 2236VDC
 LINE TO NEUTRAL FOR 1 MINUTE: 1290VDC

FILTER APPROVAL

THE BEST WAY TO SELECT AND QUALIFY A FILTER IS FOR YOUR ENGINEERING TO TEST THE UNIT IN YOUR EQUIPMENT.

TYPICAL INSERTION LOSS
 COMMON MODE 50/50Ω; DIFFERENTIAL MODE 50/50Ω

MHz	0.01	0.05	0.15	0.5	1	3	5	10	30
CM	35	38	42	57	50	43	38	32	26
DM	46	42	47	50	45	32	30	20	16



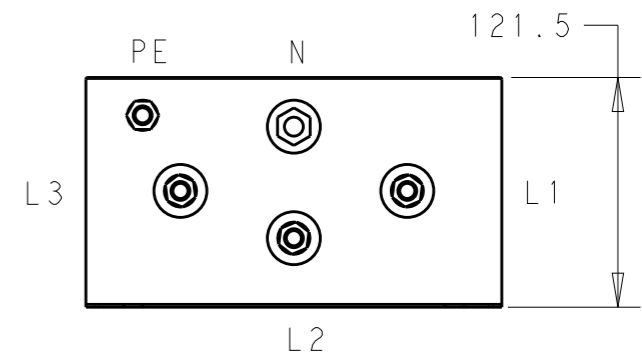
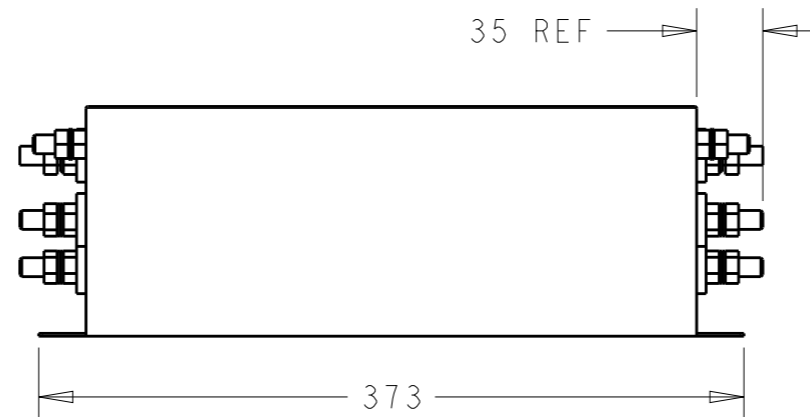
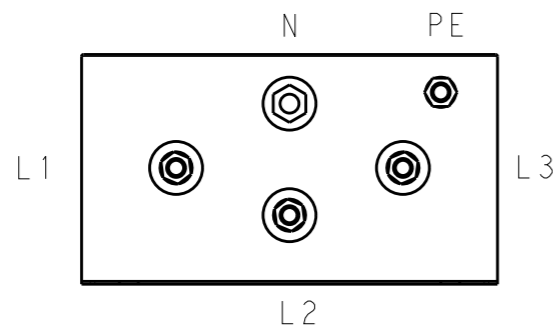
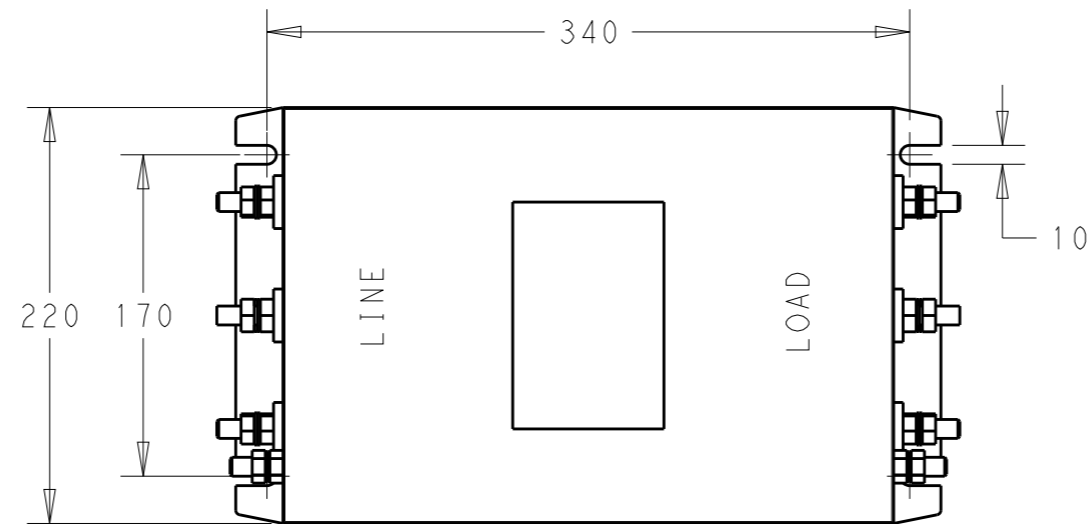
THIS DRAWING IS A CONTROLLED DOCUMENT.		DWN	24FEB2020	TE Connectivity	
DIMENSIONS: mm		CHK	24FEB2020		
TOLERANCES UNLESS OTHERWISE SPECIFIED:		APVD	24FEB2020		
0 PLC ±- 1 PLC ±0.5 2 PLC ±0.40 3 PLC ±0.130 4 PLC ±0.0500 ANGLES ±-		NAME	LEO IRUDHAYARAJ		
MATERIAL		PRODUCT SPEC		POWER LINE FILTER	
FINISH		APPLICATION SPEC		200KEVD10BFPW	
		WEIGHT		SIZE	RESTRICTED TO
		CUSTOMER DRAWING		A300779	
		SCALE		CAGE CODE	DRAWING NO
		1:4		000779	4-1609998-8
		SHEET		REV	
		1 OF 2		B	

© 2020 TE Connectivity. All Rights Reserved.

NOTE 1 GROUND CONNECTION:
DO NOT LOOSEN INNER GROUND NUTS.
TORQUE OUTER TERMINAL /GROUND NUTS: 4-10Nm

NOTE 2 INPUT OUTPUT CONNECTION TERMINAL
AWG SIZE: XXX
THREADED BOLT SIZE FOR TERMINAL: M10
THREADED BOLT SIZE FOR GROUND: M10

REVISIONS					
P	LTR	DESCRIPTION	DATE	DWN	APVD
		SEE SHEET 1			



THIS DRAWING IS A CONTROLLED DOCUMENT.		DWN	24FEB2020		TE TE Connectivity			
		CHK	24FEB2020					
		APVD	24FEB2020					
		PRODUCT SPEC	LEO IRUDHAYARAJ					
DIMENSIONS: mm		TOLERANCES UNLESS OTHERWISE SPECIFIED:		NAME POWER LINE FILTER 200KEVD10BFPW				
		0 PLC	±-		SIZE	CAGE CODE	DRAWING NO	RESTRICTED TO
		1 PLC	±0.5		A3	00779	C-4-1609998-8	-
		2 PLC	±0.40		SCALE 1:4 SHEET 2 OF 2 REV B			
		3 PLC	±0.130					
		4 PLC	±0.0500					
		ANGLES	±-					
MATERIAL		FINISH		WEIGHT		CUSTOMER DRAWING		
-		-		-				