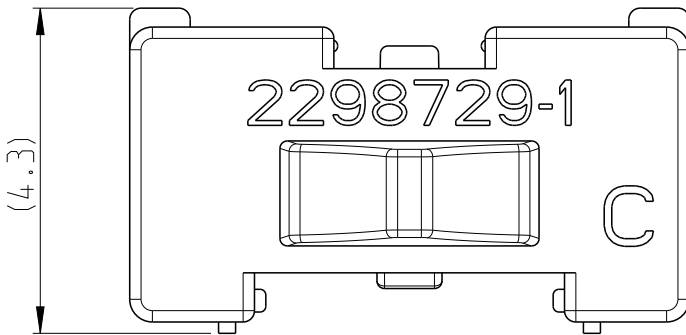
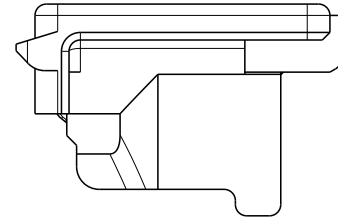
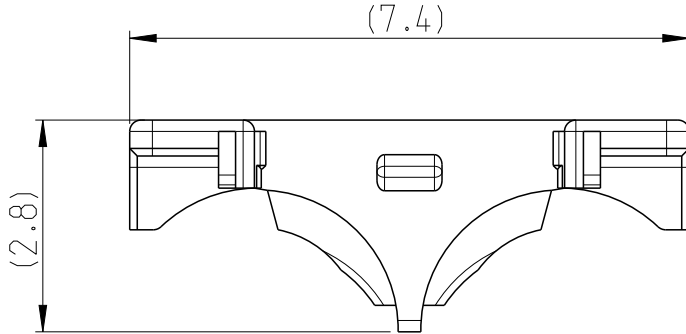


| REVISIONS | | | | | |
|-----------|-----|-----------------|-----------|-----|------|
| P | LTR | DESCRIPTION | DATE | DWN | APVD |
| | C | Initial release | 04DEC2019 | GB | CS |
| | | | | | |
| | | | | | |

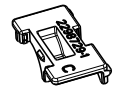


1 USED ON TE-PN 2298721-X and 2310886-X
 Passend zu TE-PN 2298721-X und 2310886-X

2 PACKAGING: LOOSE PIECE IN CLOSED PLASTIC BAG IN CARDBOARD BOX
 Verpackung: Schuetztgut in geschlossener Plastiktueete in Karton

© 2019 TE Connectivity. All Rights Reserved.

2:1



| | | | | | | | |
|--|--------------------------|-----------|---------------------------------|-----------|------------|---------------|---|
| DIMENSIONS: mm | DWN G. van de Burgt | 02DEC2019 | MATERIAL | PA66-GF30 | FINISH | - | |
| | CHK S. Aboulkassem | 03DEC2019 | | | | | |
| TOLERANCES UNLESS OTHERWISE SPECIFIED: | APVD C. Schrettlinger | 04DEC2019 | | | | | |
| 0 PLC ±0.2 | PRODUCT SPEC | | NAME MATE-AX,TPA,SOCKET | | | | |
| 1 PLC ±0.2 | APPLICATION SPEC | | MATE-AX,Kontaktsicherung,Buchse | | | | |
| 2 PLC ±0.2 | | | SIZE | CAGE CODE | DRAWING NO | RESTRICTED TO | |
| 3 PLC ± | 114-94468 | | A 4 | 00779 | C-2298729 | | |
| 4 PLC ± | WEIGHT | | | | | | |
| ANGLES ±° | 0.03 g | | CUSTOMER DRAWING | | | | |
| | | SCALE | | 10:1 | SHEET | 1 OF 1 | |
| | | | | | | REV | C |