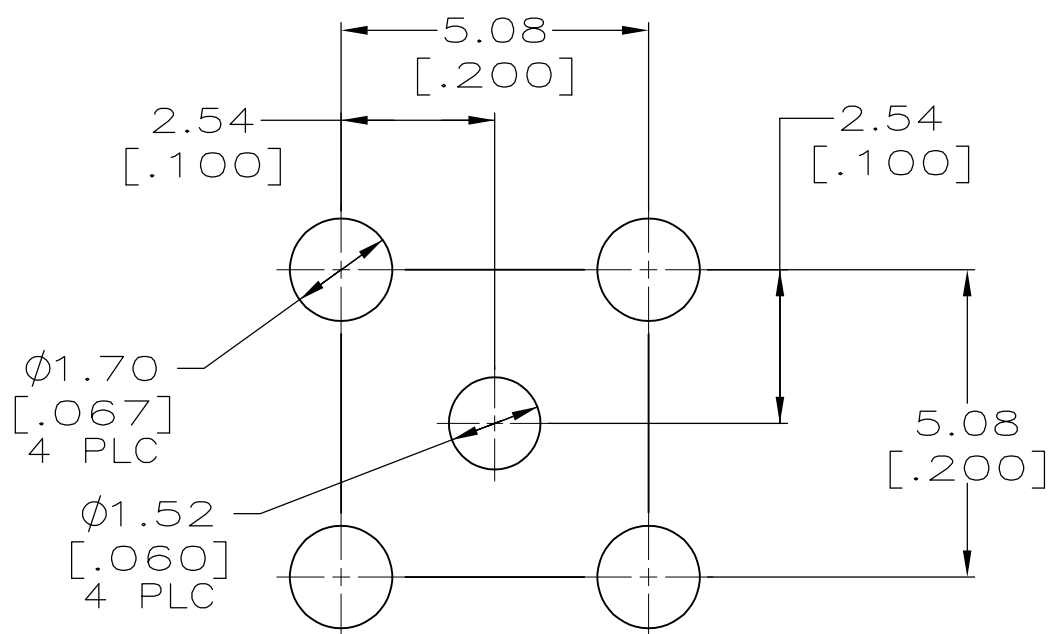
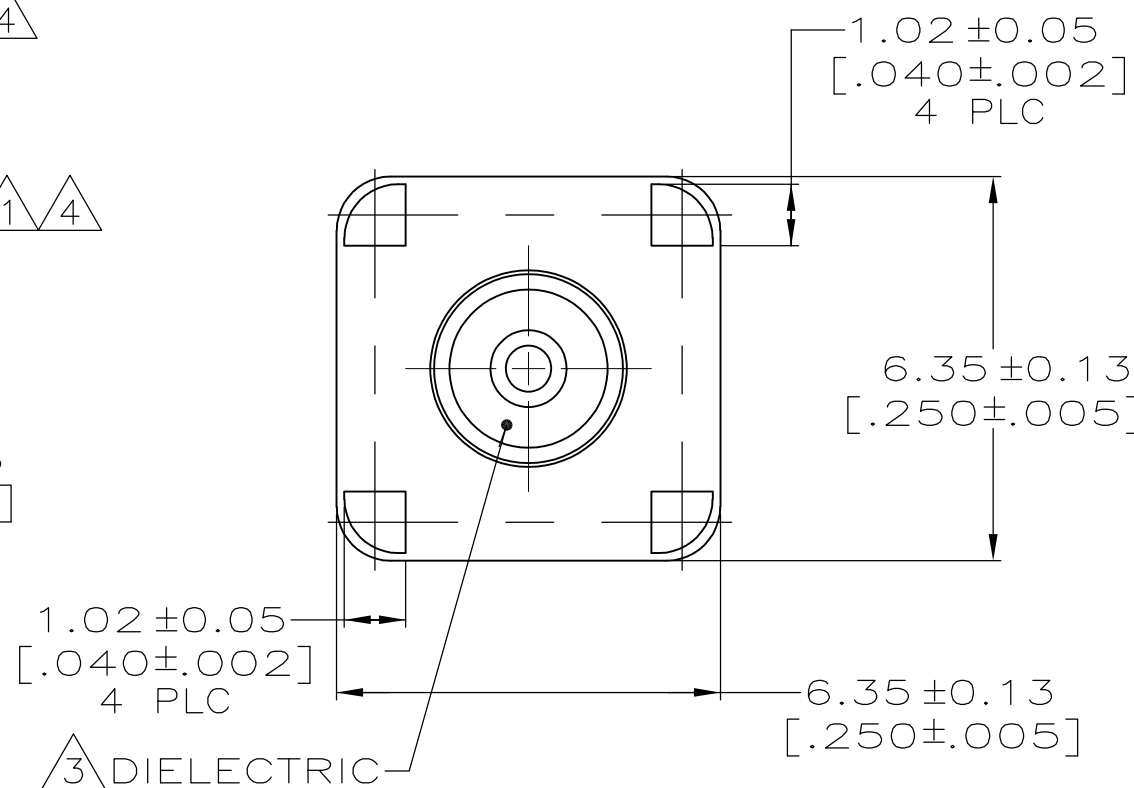
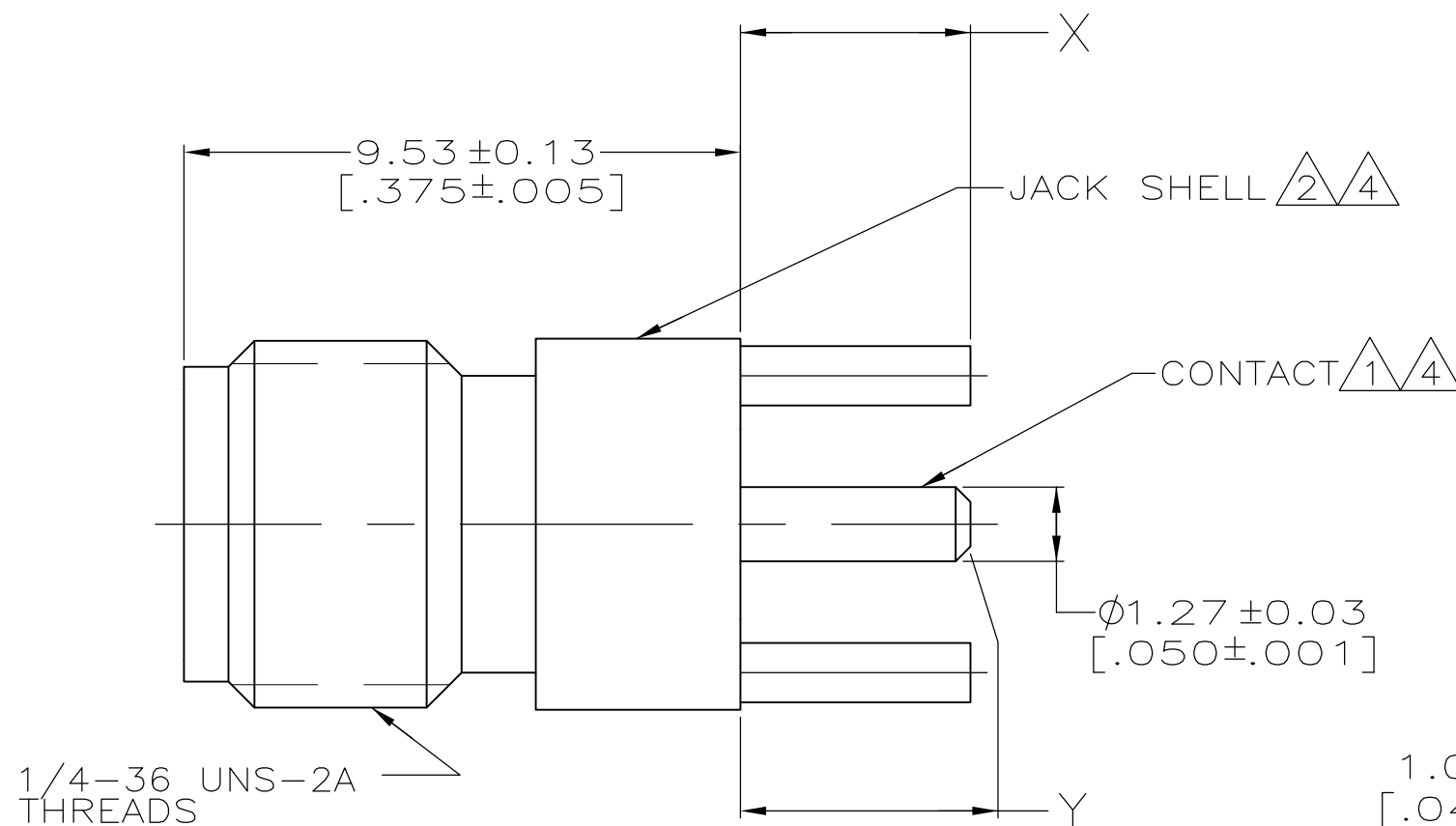


THIS DRAWING IS UNPUBLISHED. RELEASED FOR PUBLICATION  
 © COPYRIGHT - By - ALL RIGHTS RESERVED.

LOC	DIST	REVISIONS			
P	LTR	DESCRIPTION	DATE	DWN	APVD
AJ	16	E2	ECR-12-005726	27MAR12	RK MY

- ① BERYLLIUM COPPER PER ASTM-B-197.
- ② BRASS PER ASTM-B-16.
- ③ PTFE, PER ASTM-D-1710.
- ④ GOLD PLATE PER MIL-G-45204.
- ⑤ PACKAGED ON TAPE & REEL PER EIA-STD481 WITH SOLDER LEGS DOWN.



⑤	2.67 <sup>+0.25</sup> <sub>-0.15</sub> [.105 <sup>+0.010</sup> <sub>-.006</sub> ]	2.67 ± 0.13 [.105 ± .005]	221789-4
	2.67 <sup>+0.25</sup> <sub>-0.15</sub> [.105 <sup>+0.010</sup> <sub>-.006</sub> ]	2.67 ± 0.13 [.105 ± .005]	221789-3
	3.94 [.155]	3.94 ± 0.25 [.155 ± .010]	221789-1
	Y	X	PART NUMBER

RECOMMENDED PCB CONFIGURATION

THIS DRAWING IS A CONTROLLED DOCUMENT.		DWN B. MOYER 25NOV97	TE Connectivity			
DIMENSIONS: mm [INCHES]		CHK J. CABARLO 25NOV97				
TOLERANCES UNLESS OTHERWISE SPECIFIED:		APVD J. CABARLO 25NOV97	NAME JACK, VERTICAL, PCB, SMA SERIES			
0 PLC ± - 1 PLC ± - 2 PLC ± 0.08 [.003] 3 PLC ± - 4 PLC ± - ANGLES ± -		PRODUCT SPEC -	APPLICATION SPEC -			
MATERIAL ①②③		FINISH ④	SIZE A3	CAGE CODE 00779	DRAWING NO C-221789	RESTRICTED TO -
CUSTOMER DRAWING			SCALE 8:1	SHEET 1 OF 1	REV E2	