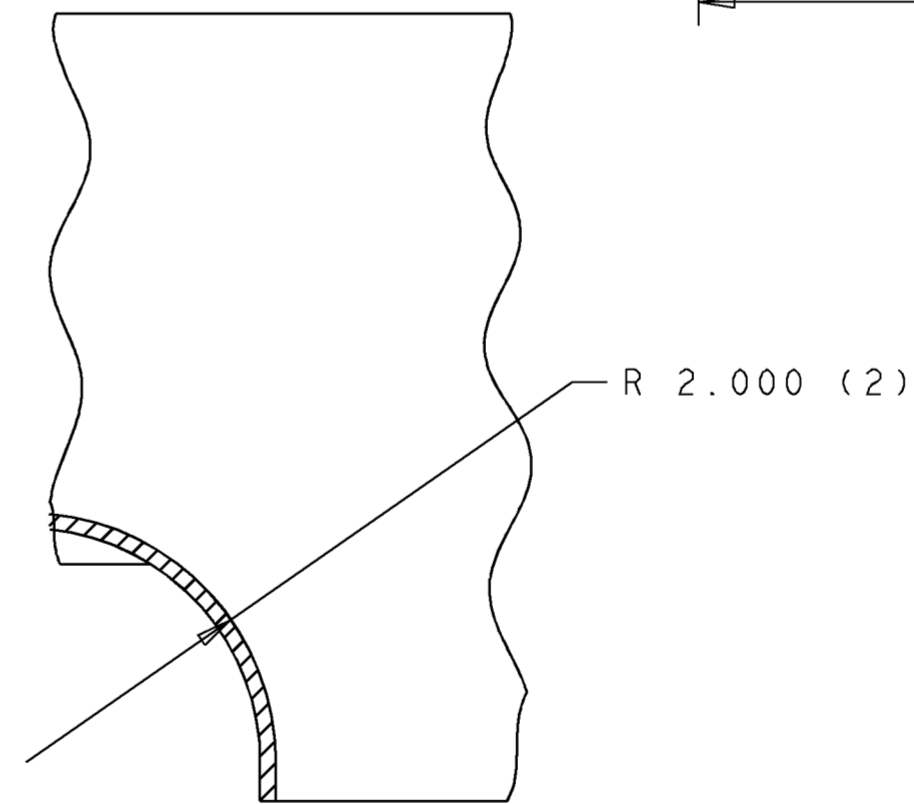
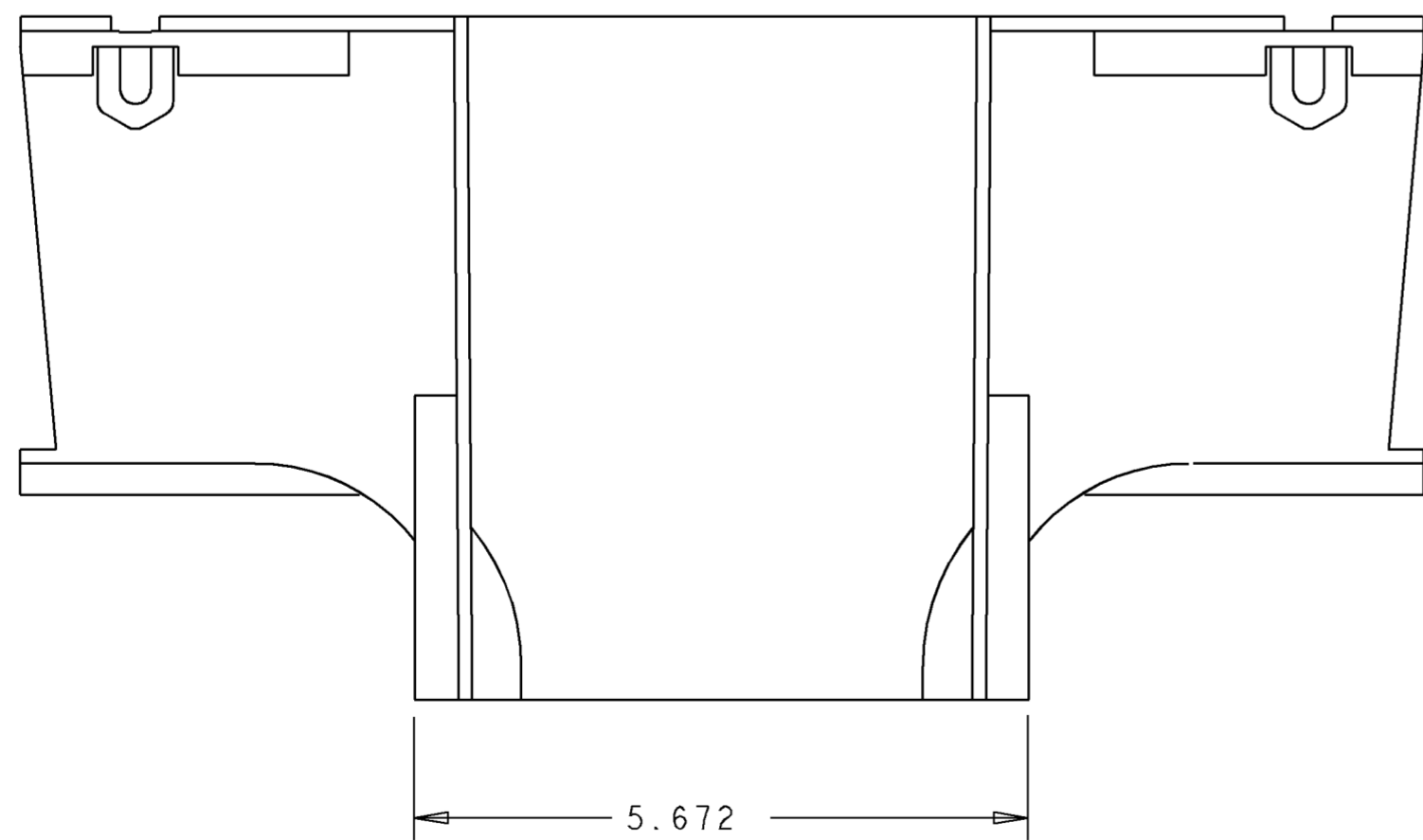
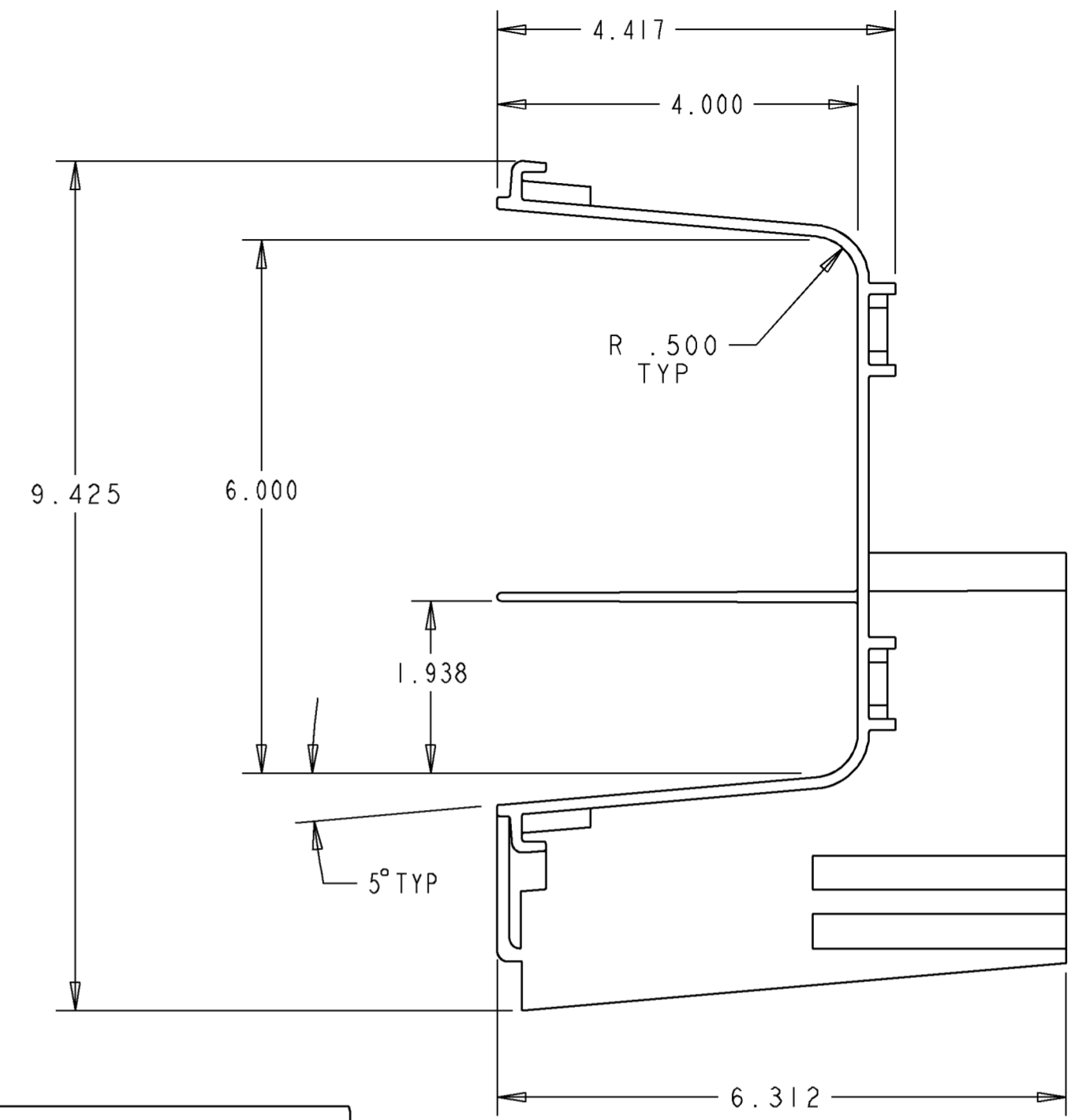
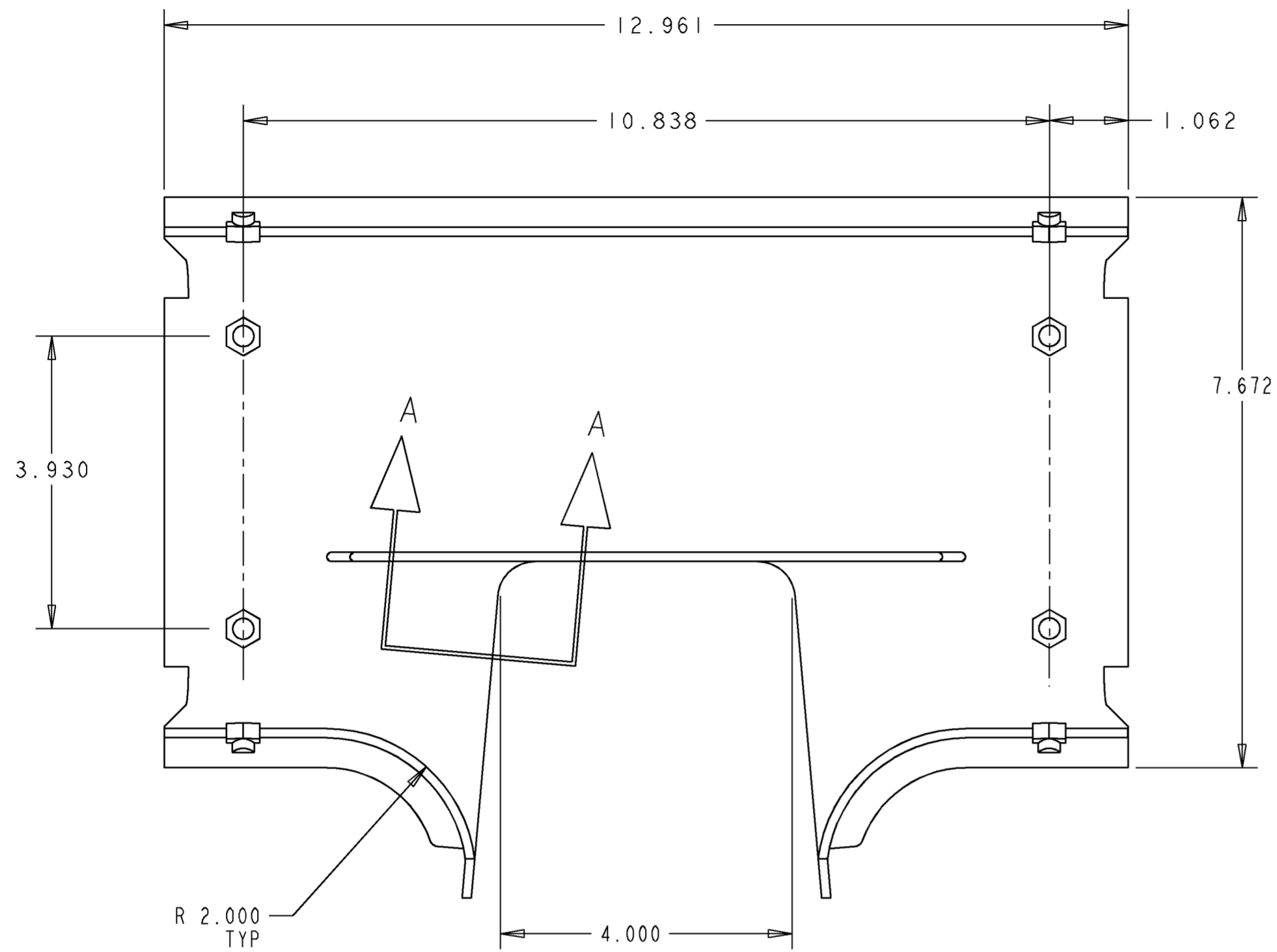


REV	MCO	DWN	DATE
B	20077078	JRA	20-DEC-00
C	20235601	GRL	12-MAR-08



SECTION A-A

FGSB-MDSP-B	BLACK
FGSS-MDSP-B	SMOKE
FGSP-MDSP-B	PUTTY
FGSO-MDSP-B	ORANGE
FGS-MDSP-B	YELLOW
CATALOG NO.	COLOR

NOTES:

- MATERIAL IS SELF EXTINGUISHING WITH A UL 94 RATING OF V-0.



INFORMATION ON THIS DOCUMENT IS PROPRIETARY TO ADC AND SHALL NOT BE USED, COPIED, REPRODUCED OR DISCLOSED IN WHOLE OR IN PART WITHOUT WRITTEN CONSENT OF ADC.

ALL DIMS AND TOLERANCES: .XX0:±N/A
 .XX:±N/A
 OTHERWISE SPECIFIED ANGULAR:±N/A

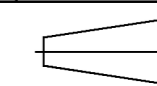
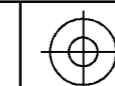
DO NOT SCALE DRAWING

TITLE FIBERGUIDES
 6X4X6 DOWNSPOUT
 INSTALLATION DRAWING

DRAWING NUMBER 4-29000-0068

ENGR: R. HENNEBERGER
 DWN: D. CARPENTER

SHT. 1 OF 1



DIMENSIONS IN INCHES
 THIRD ANGLE PROJECTION