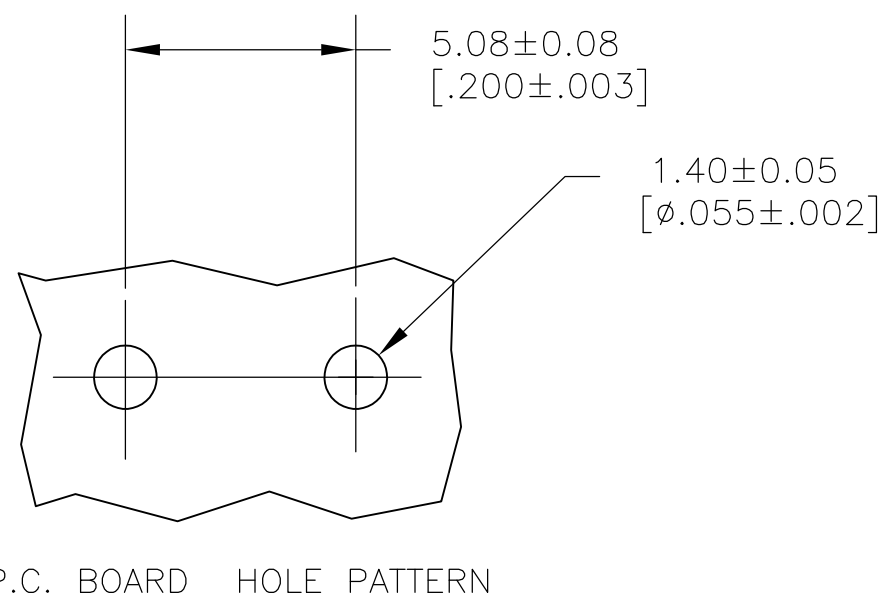
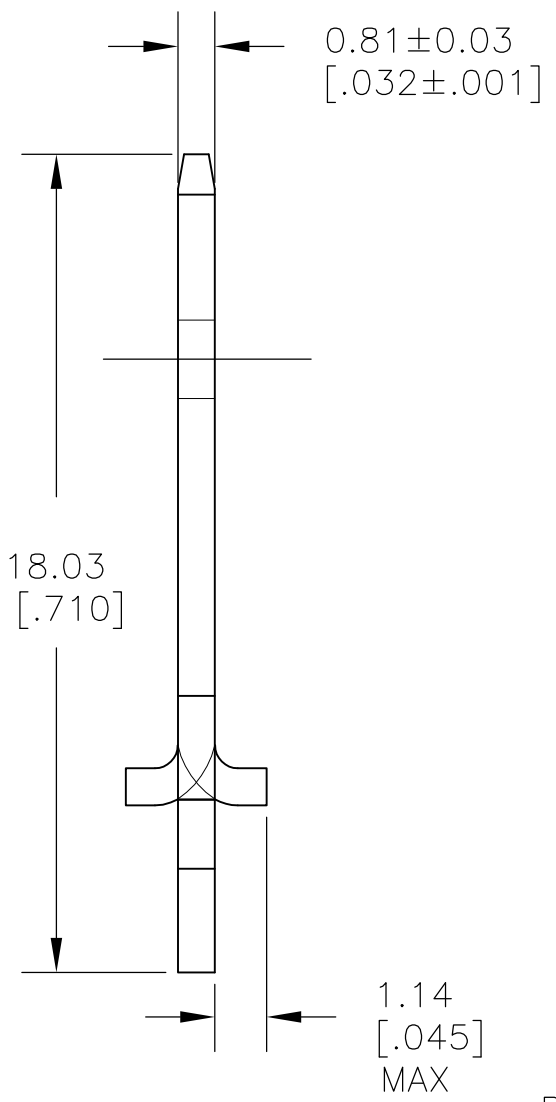
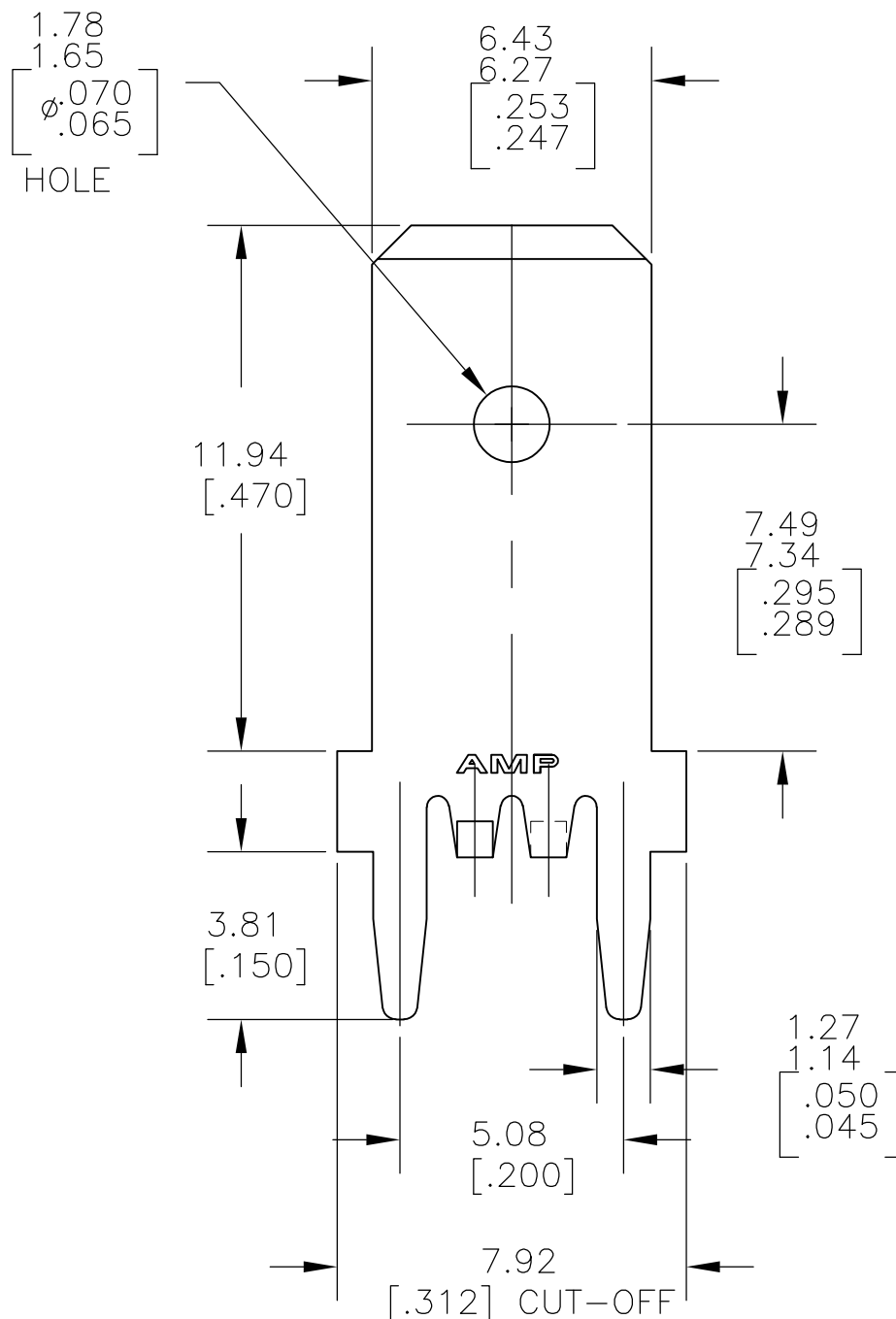


THIS DRAWING IS UNPUBLISHED. RELEASED FOR PUBLICATION

© COPYRIGHT BY TYCO ELECTRONICS CORPORATION. ALL INTERNATIONAL RIGHTS RESERVED.

LOC	DIST	REVISIONS					
AF	50	P	LTR	DESCRIPTION	DATE	DWN	APVD
			A3	REVISED PER ECR-11-003939	22FEB11	JR	PD



1 SUPPLIED IN LOOSE PIECE AFTER PLATING, BARE EDGES AT CUT-OFFS.

2 TIN PLATE 0.00381 [.000150] MIN OVER 0.00254 [.000100] MIN THK COPPER.

1217169-1  
PART NO.

THIS DRAWING IS A CONTROLLED DOCUMENT.		DWN JR RUTH 28MAR01	Tyco Electronics Corporation Harrisburg, PA 17105-3608				
DIMENSIONS: mm [INCHES]		CHK MS FEHER 28MAR01	NAME TAB, FASTON, P.C.BOARD 6.35 [.250]				
TOLERANCES UNLESS OTHERWISE SPECIFIED:		APVD N DEIBERT 28MAR01	PRODUCT SPEC —				
<ul style="list-style-type: none"> <li>0 PLC ± -</li> <li>1 PLC ± -</li> <li>2 PLC ± 0.25 [.010]</li> <li>3 PLC ± -</li> <li>4 PLC ± -</li> <li>ANGLES ± -</li> </ul>		APPLICATION SPEC —		SIZE A3	CAGE CODE 00779	DRAWING NO C-1217169	RESTRICTED TO —
MATERIAL 082 BRASS		FINISH 2		WEIGHT —		SCALE 6:1	
CUSTOMER DRAWING				SHEET 1 OF 1		REV A3	