

4

3

2

1

THIS DRAWING IS UNPUBLISHED.

RELEASED FOR PUBLICATION

.19

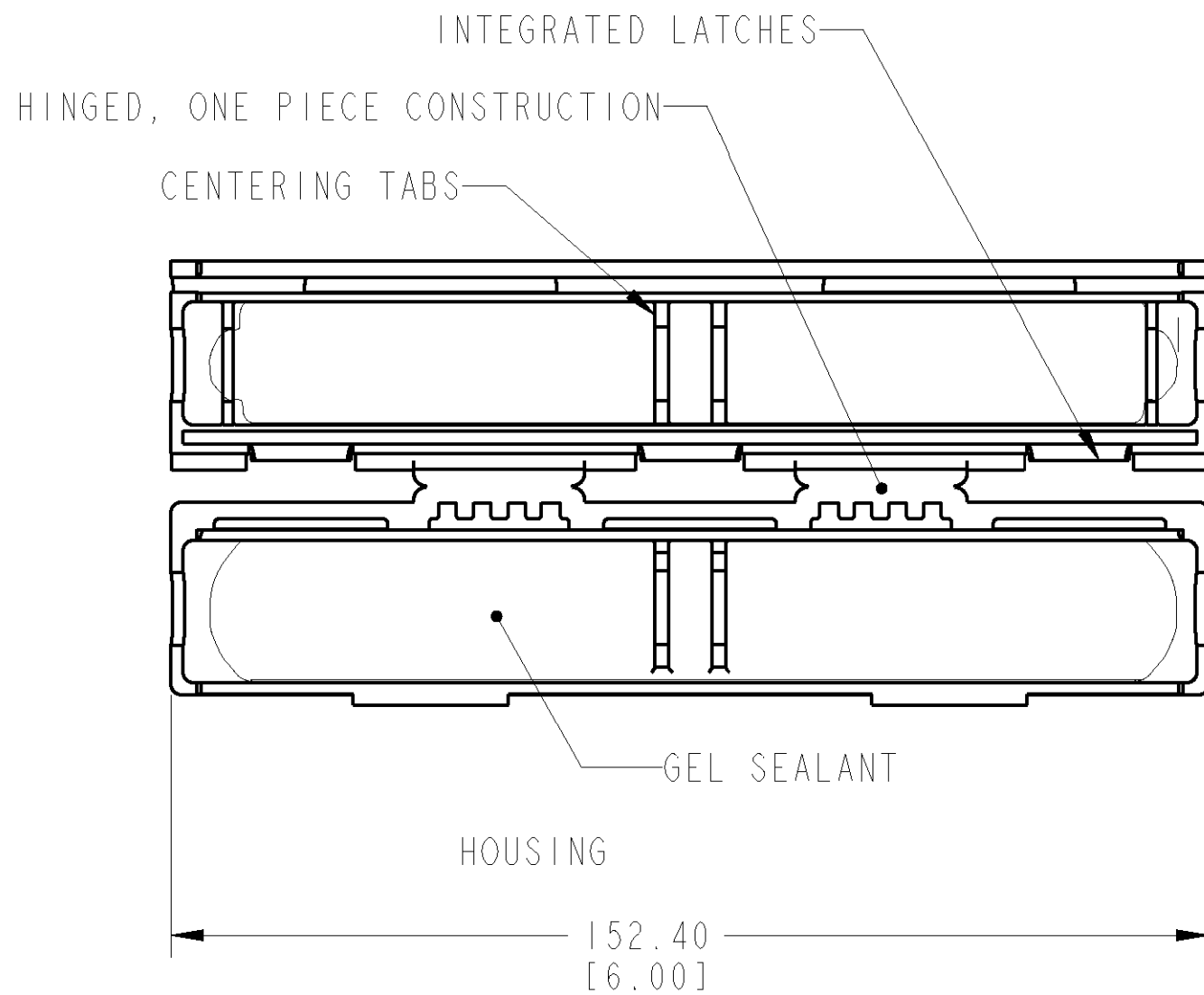
© COPYRIGHT 19

BY AMP INCORPORATED. ALL RIGHTS RESERVED.

LOC EY DIST 24

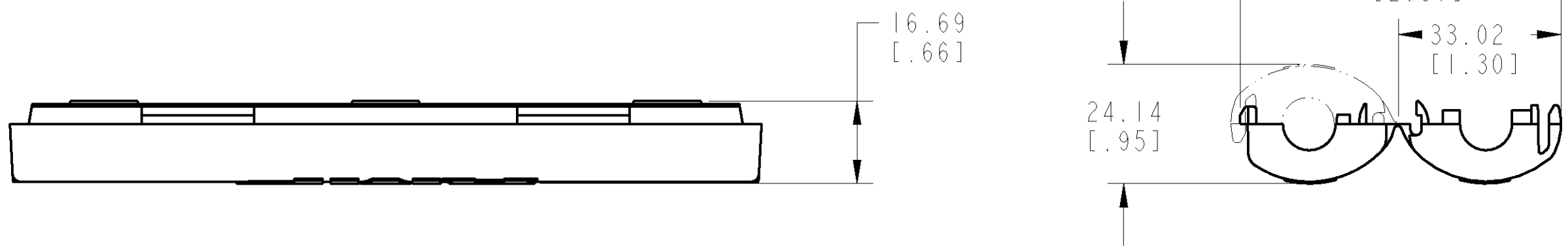
REVISIONS

P	LTR	DESCRIPTION	DATE	DWN	APVD
0		RLSD; NPR C95-227	19DEC95	BHS	BF
A		REV; 0502-0105-96	28FEB97	BHS	GT
B		ADDED IS SPEC 0G3A-0095-99	11OCT99	MF	PD



1. UNIT WILL ACCEPT SERIES 7 AND 11 CABLE.
2. CABLES SHALL BE PREPARED USING STANDARD F CONNECTORS AND AN F-81 SPLICE.
3. APPLICATION IS ACCOMPLISHED BY CENTERING THE SPLICE IN EITHER SIDE OF UNIT AND ENGAGING THE LATCHES BY FOLDING THE UNIT CLOSED AROUND THE SPLICE.

4 MATERIAL: HOUSING - POLYESTER, BLACK.
GEL - AMP SEALANT #20.



569661-1
PART NO.

<small>THIS DRAWING IS A CONTROLLED DOCUMENT FOR AMP INCORPORATED. IT IS SUBJECT TO CHANGE AND THE CONTROLLING ENGINEERING ORGANIZATION SHOULD BE CONTACTED FOR THE LATEST REVISION.</small>		DWN B. SIMPSON 19DEC95 CHK B. FOX 30JAN96 APVD G. THRUISH 30JAN96	AMP AMP Incorporated Harrisburg, PA 17105-3608
DIMENSIONS: mm [INCHES]	TOLERANCES UNLESS OTHERWISE SPECIFIED: 0 PLC ±- 1 PLC ±- 2 PLC ±- 3 PLC ±- 4 PLC ±- ANGLES ±-	PRODUCT SPEC 108-1509 APPLICATION SPEC IS 408-3373 WEIGHT -	NAME CLOSURE ASSEMBLY, COAXIAL COUPLING, SERIES 7 AND 11, CERTISEAL® SIZE A3 CAGE CODE 00779 DRAWING NO C-569661 RESTRICTED TO -
MATERIAL	FINISH -	CUSTOMER DRAWING	SCALE SHEET OF REV B