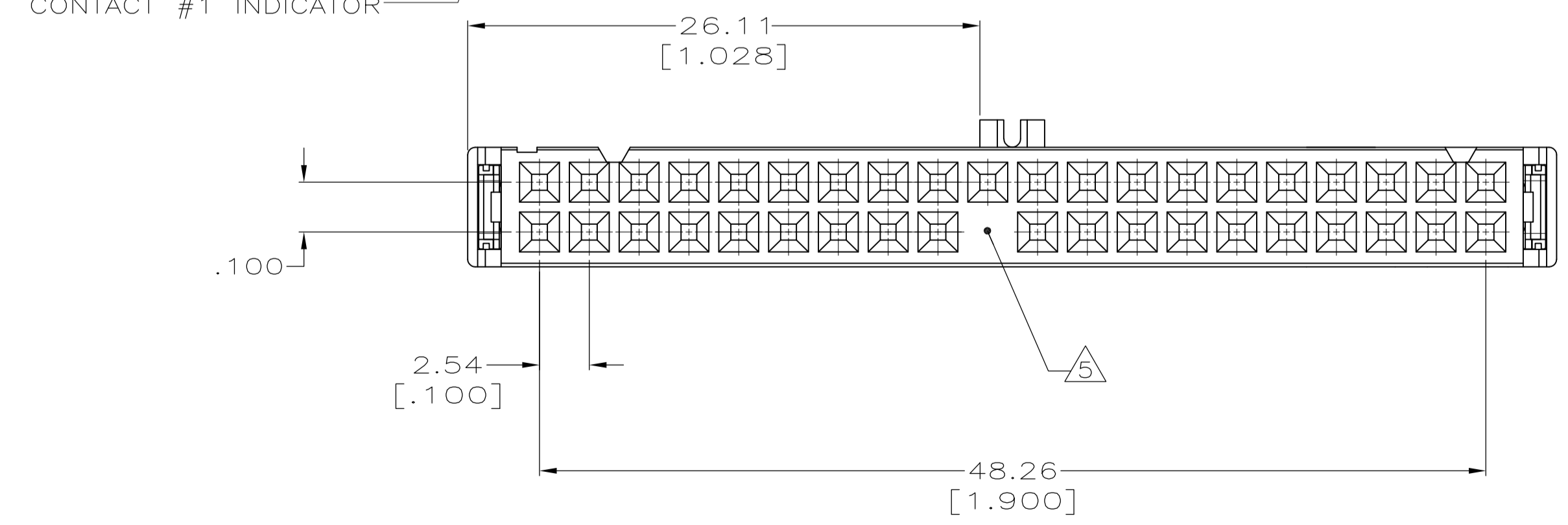
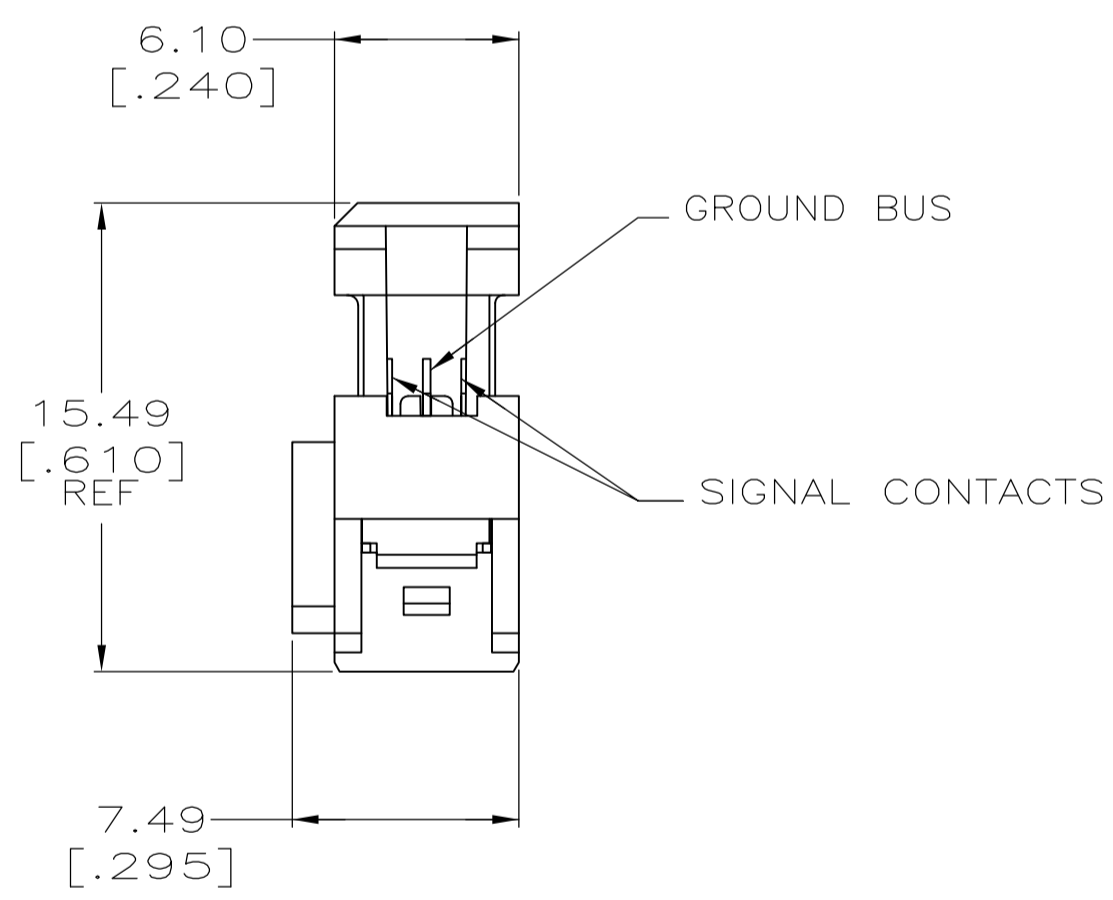
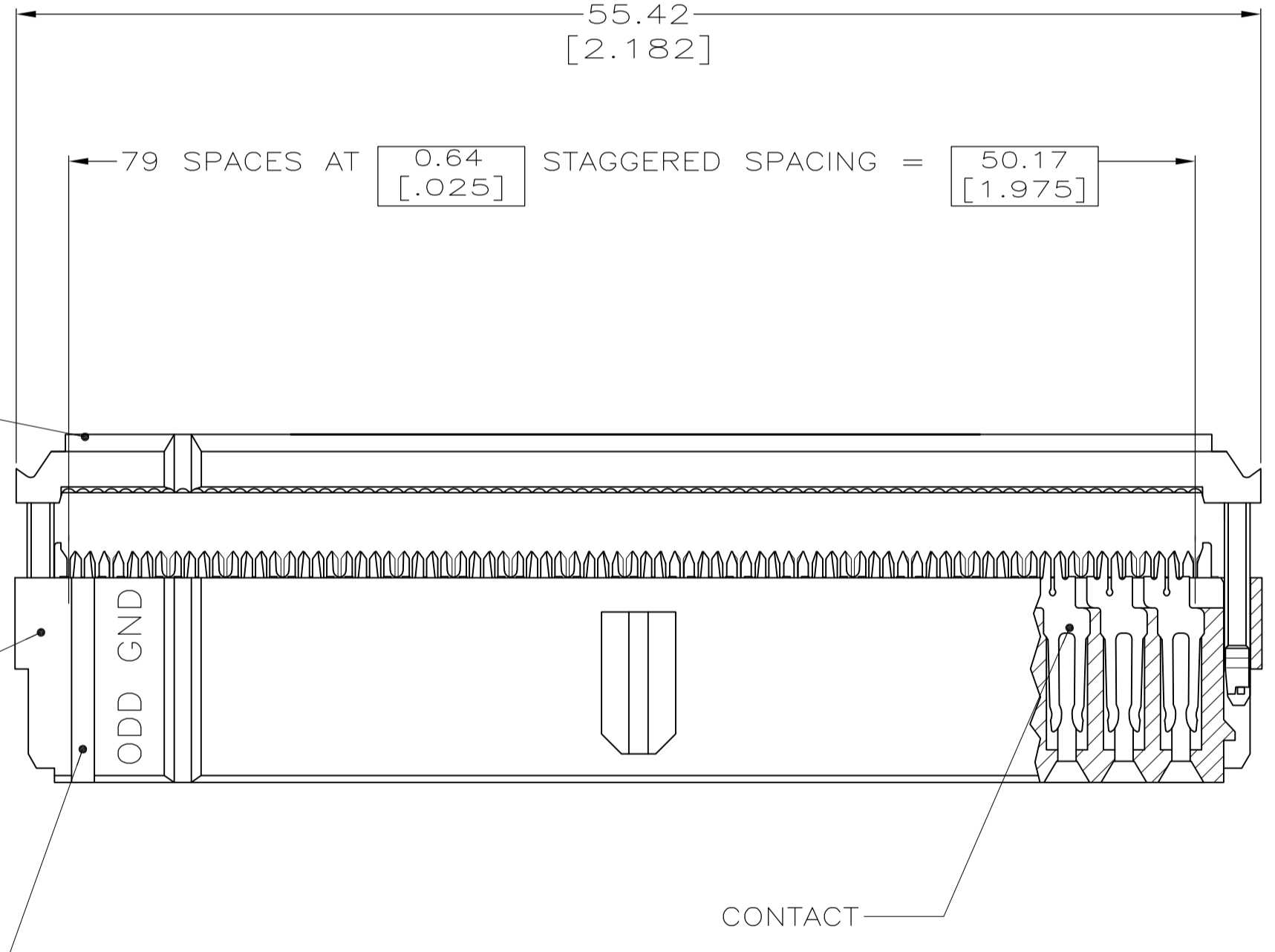
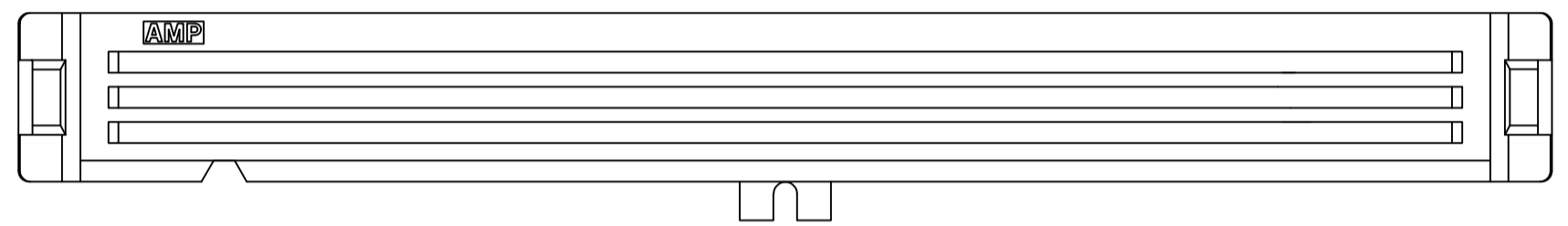


TERMINATED VIEW



- ① HOUSING: THERMOPLASTIC, UL 94V-0 RATED, SEE TABLE. COVER: THERMOPLASTIC, UL 94V-0 RATED, BLACK. CONTACTS: PHOSPHOR BRONZE PER QQ-B-750.
- ② CONTACTS: 0.38μm[.000015] MIN GOLD ON MATING END, 1.27μm[.000050] MIN TIN ON TERMINATION END, ALL OVER 1.27μm[.000050] MIN NICKEL ON ENTIRE CONTACT. GROUND BUS: 2.54μm[.000100] MIN TIN OVER 1.27μm[.000050] MIN NICKEL ON ENTIRE GROUND BUS.
- ③ CONTACT 34 GROUNDED.
- ④ NO CONTACT AT POSITION 28.
- ⑤ MOLDED KEYING AT CONTACT 20.
- ⑥ NO GAP ALLOWED BETWEEN COVER AND HOUSING AT TERMINATION. .012 MAX GAP AT ANY OTHER TIME AFTER TERMINATION.
- 7. ALL ODD CABLE CONDUCTORS TERMINATE DIRECTLY TO THE GROUND BUS IN ALL CONNECTORS.
- 8. ALL EVEN CABLE CONDUCTORS TERMINATE TO CONNECTOR CONTACT NUMBERS USING THE FOLLOWING FORMULA: CABLE CONDUCTOR "X" TERMINATES TO CONNECTOR CONTACT NUMBER X/2. EXAMPLE: CABLE CONDUCTOR 46 TERMINATES TO CONNECTOR CONTACT NUMBER 23 (46/2).
- 9. EXCEPTIONS TO NOTE 8 AND DIFFERENCES BETWEEN CONNECTORS ARE SHOWN IN THE TABLE BELOW.
- ⑩ CONTACTS: 0.38μm[.000015] MIN GOLD ON MATING END, GOLD FLASH ON TERMINATION END, ALL OVER 1.27μm[.000050] MIN NICKEL ON ENTIRE CONTACT. GROUND BUS: GOLD FLASH OVER 1.27μm[.000050] MIN NICKEL ON ENTIRE GROUND BUS.

CABLE CONDUCTOR #	CABLE CONDUCTOR # SHOWN CONNECTS TO:		
	BLUE CONNECTOR CONTACT #	BLACK CONNECTOR CONTACT #	GRAY CONNECTOR CONTACT #
4	2 & GROUND BUS	2 & GROUND BUS	2 & GROUND BUS
38	19 & GROUND BUS	19 & GROUND BUS	19 & GROUND BUS
44	22 & GROUND BUS	22 & GROUND BUS	22 & GROUND BUS
48	24 & GROUND BUS	24 & GROUND BUS	24 & GROUND BUS
52	26 & GROUND BUS	26 & GROUND BUS	26 & GROUND BUS
56	28	28	NC (OPEN)
60	30 & GROUND BUS	30 & GROUND BUS	30 & GROUND BUS
68	34 & GROUND BUS	34	34
80	40 & GROUND BUS	40 & GROUND BUS	40 & GROUND BUS

FINISH	CONNECTOR TYPE	HOUSING COLOR	PART NUMBER
⑩	DEVICE(1) SLAVE	GRAY	④ 1658619-6
⑩	SYSTEMS BOARD	BLUE	③ 1658619-5
⑩	DEVICE(O) PRIMARY	BLACK	1658619-4
②	DEVICE(1) SLAVE	GRAY	④ 1658619-3
②	SYSTEMS BOARD	BLUE	③ 1658619-2
②	DEVICE(O) PRIMARY	BLACK	1658619-1

THIS DRAWING IS A CONTROLLED DOCUMENT. **STE** TE Connectivity

DIMENSIONS: mm [INCHES]	TOLERANCES UNLESS OTHERWISE SPECIFIED:	DIN R SAMICK 22AUG03	APVD C. RÖHDE 22AUG03	NAME M. WALMSLEY 22AUG03
0 PLC ± -	1 PLC ± -	2 PLC ± 0.08 [INCHES]	3 PLC ± -	4 PLC ± -
ANGLES ± -				
MATERIAL ①	FINISH SEE TABLE	WEIGHT -	SIZE A1	CAGE CODE 100779
			DRAWING NO. 114-40056	DRAWING NO. 108-1740
			APPLICATION SPEC	PRODUCT SPEC
			RECEPTACLE ASSY, 40 POS, 80 POS CABLE, CENTER & MILITARY POLARIZATION, LEAD FREE, AMP-LATCH™ ULTRA NOVO	RESTRICTED TO
			SCALE 4:1	SHEET 1 OF 1
			CUSTOMER DRAWING	REV A2