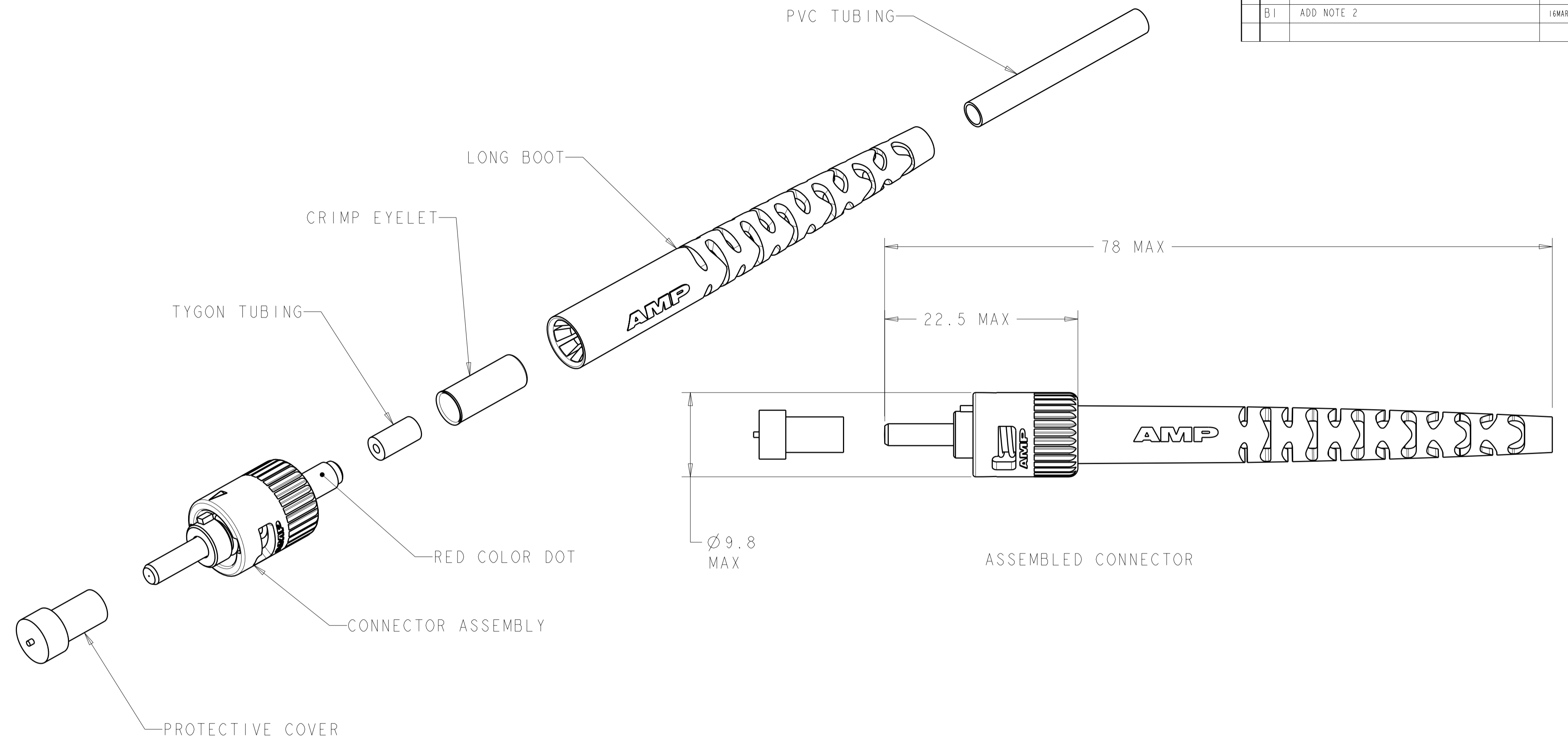


THIS DRAWING IS UNPUBLISHED. RELEASED FOR PUBLICATION 20
 © COPYRIGHT 20 BY TYCO ELECTRONICS CORPORATION. ALL RIGHTS RESERVED.

LOC	DIST	REVISIONS			
P	LTR	DESCRIPTION	DATE	DWN	APVD
CE	00	A	RELEASE TO ACTIVE	09JUN2006	BB SB
		B	REVISE PER ECR-06-023926	12OCT2006	BB SB
		BI	ADD NOTE 2	16MAR09	JZ RZ



- 1 MATERIAL:
- PROTECTIVE COVER: LDPE, COLOR: BLACK, NON-FR.
 - CONNECTOR ASSEMBLY:
 - FERRULE ASSEMBLY: CERAMIC/NICKEL PLATED BRASS.
 - SPRING: STAINLESS STEEL.
 - COUPLING NUT: ZINC.
 - RETENTION RING: STAINLESS STEEL.
 - CRIMP EYELET: TIN PLATED COPPER.
 - LONG BOOT: TPE, COLOR: YELLOW, UL94 HB RATED AT QUALIFYING THICKNESS.
 - TYGON TUBING: TYGON, COLOR: CLEAR.
 - PVC TUBING: PVC, COLOR: BLACK, NON-FR.

2. INSTRUCTION SHEET: 408-9971 AVAILABLE FOR DOWNLOAD AT
www.tycoelectronics.com/documents OR www.amernetconnect.com/foguide.

5502579-2
 PART NUMBER

THIS DRAWING IS A CONTROLLED DOCUMENT FOR TYCO ELECTRONICS CORPORATION. IT IS SUBJECT TO CHANGE AND THE CONTROLLING ENGINEERING ORGANIZATION SHOULD BE CONTACTED FOR THE LATEST REVISION.		DWN B. BRIGGS 14SEPT2005	Tyco Electronics Corporation Shanghai, China	
DIMENSIONS: mm		CHK S. BUCHTER 14SEPT2005	NAME CONNECTOR KIT, SINGLEMODE, 2.5mm BAYONET	
TOLERANCES UNLESS OTHERWISE SPECIFIED: 0 PLC ± 1 PLC ± 2 PLC ± 3 PLC ± 4 PLC ± ANGLES ± FINISH		APVD S. BUCHTER 14SEPT2005	SIZE A200779	
MATERIAL		PRODUCT SPEC -	DRAWING NO C-5502579	
-		APPLICATION SPEC -	RESTRICTED TO -	
-		WEIGHT -	SCALE 3:1 SHEET 1 OF 1 REV BI	
-		CUSTOMER DRAWING		