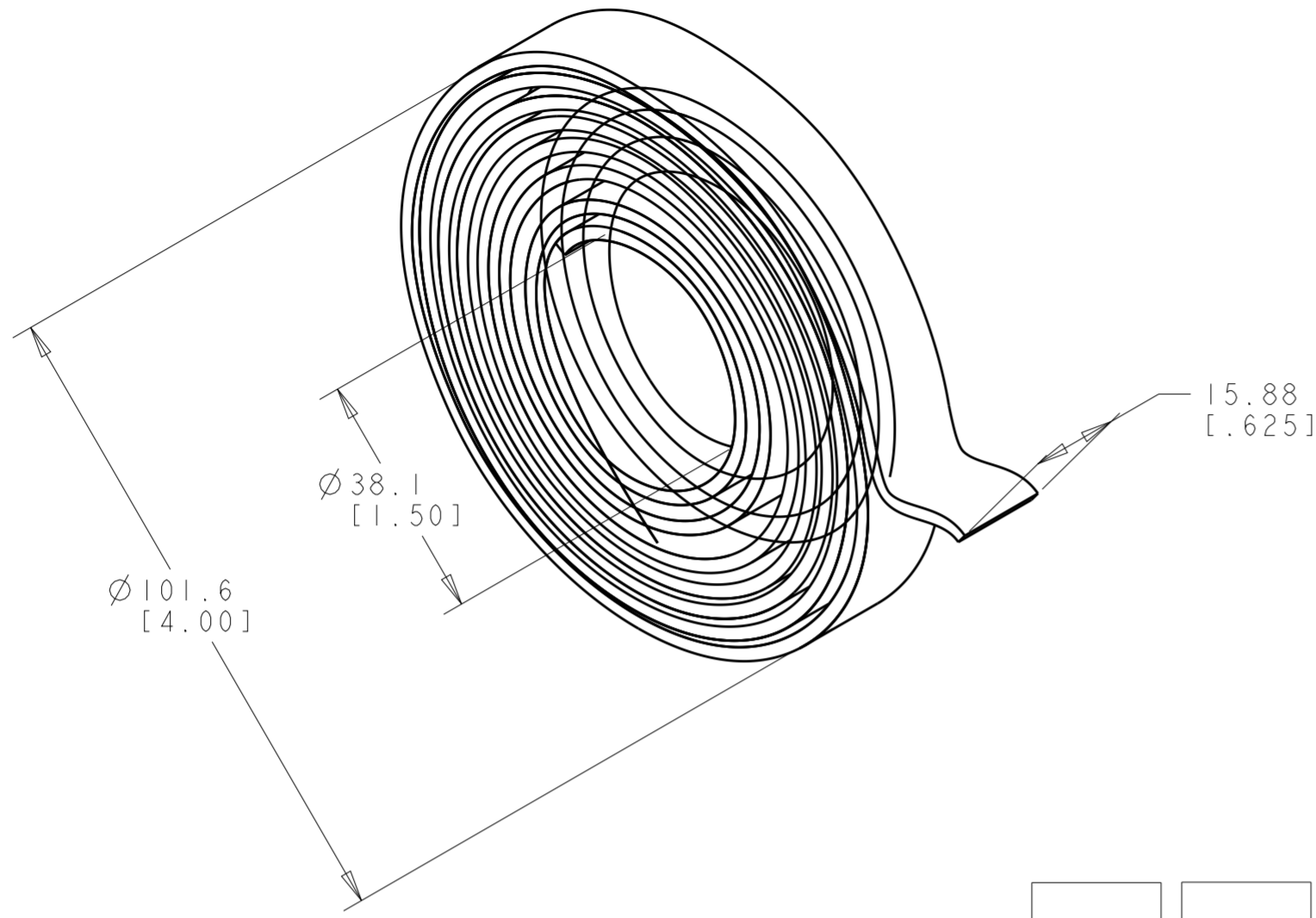


THIS DRAWING IS UNPUBLISHED. RELEASED FOR PUBLICATION 20
 © COPYRIGHT 20 BY - ALL RIGHTS RESERVED.

LOC	DIST	REVISIONS					
HM	00	P	LTR	DESCRIPTION	DATE	DWN	APVD
		B		REV; ECO-12-015755	17SEP2012	GG	SH



- 1. MATERIAL: HOOK AND LOOP NYLON, SEE TABLE FOR COLORS.
- 2. PACKAGED: 4572MM [180 INCHES (5 YARDS)] PER PUCK, ONE PUCK PER POLYBAG.

OBSOLETE				OBSOLETE				OBSOLETE																					
-	-	-	-	-	-	-	-	-	-	-	-	1-1375276-0	VIOLET	9															
-	-	-	-	-	-	-	-	-	-	-	-	1375276-9	GREEN	8															
-	-	-	-	-	-	-	-	-	-	-	-	1375276-8	YELLOW	7															
-	-	-	-	-	-	-	-	-	-	-	-	1375276-7	RED	6															
-	-	-	-	-	-	-	-	-	-	-	-	1375276-6	BLUE	5															
-	-	-	-	-	-	-	-	-	-	-	-	1375276-5	ORANGE	4															
-	-	-	-	-	-	-	-	-	-	-	-	1375276-4	GRAY	3															
-	-	-	-	-	-	-	-	-	-	-	-	1375276-3	WHITE	2															
-	-	-	-	-	-	-	-	-	-	-	-	1375276-2	BLACK	1															
1	-	-	0	-	9	-	8	-	7	-	6	-	5	-	-	4	-	-	3	-	-	2	-	-	1	-			
												PART NUMBER	COLOR	ITEM NO.															

THIS DRAWING IS A CONTROLLED DOCUMENT.		DWN L SMITH 20OCT00	STE TE Connectivity	
DIMENSIONS: MM [INCHES]		CHK L SMITH 20OCT00		
TOLERANCES UNLESS OTHERWISE SPECIFIED:		APVD S HERNDON 20OCT00	NAME HOOK AND LOOP CABLE TIE, 625 INCH WIDE 5 YARDS LONG	
0 PLC ±		PRODUCT SPEC	SIZE CAGE CODE DRAWING NO RESTRICTED TO	
1 PLC ±		APPLICATION SPEC	A200779 C-1375255	
2 PLC ±		WEIGHT	SCALE SHEET OF REV B	
3 PLC ±				
4 PLC ±				
ANGLES ±				
FINISH				
MATERIAL				
Customer Drawing				