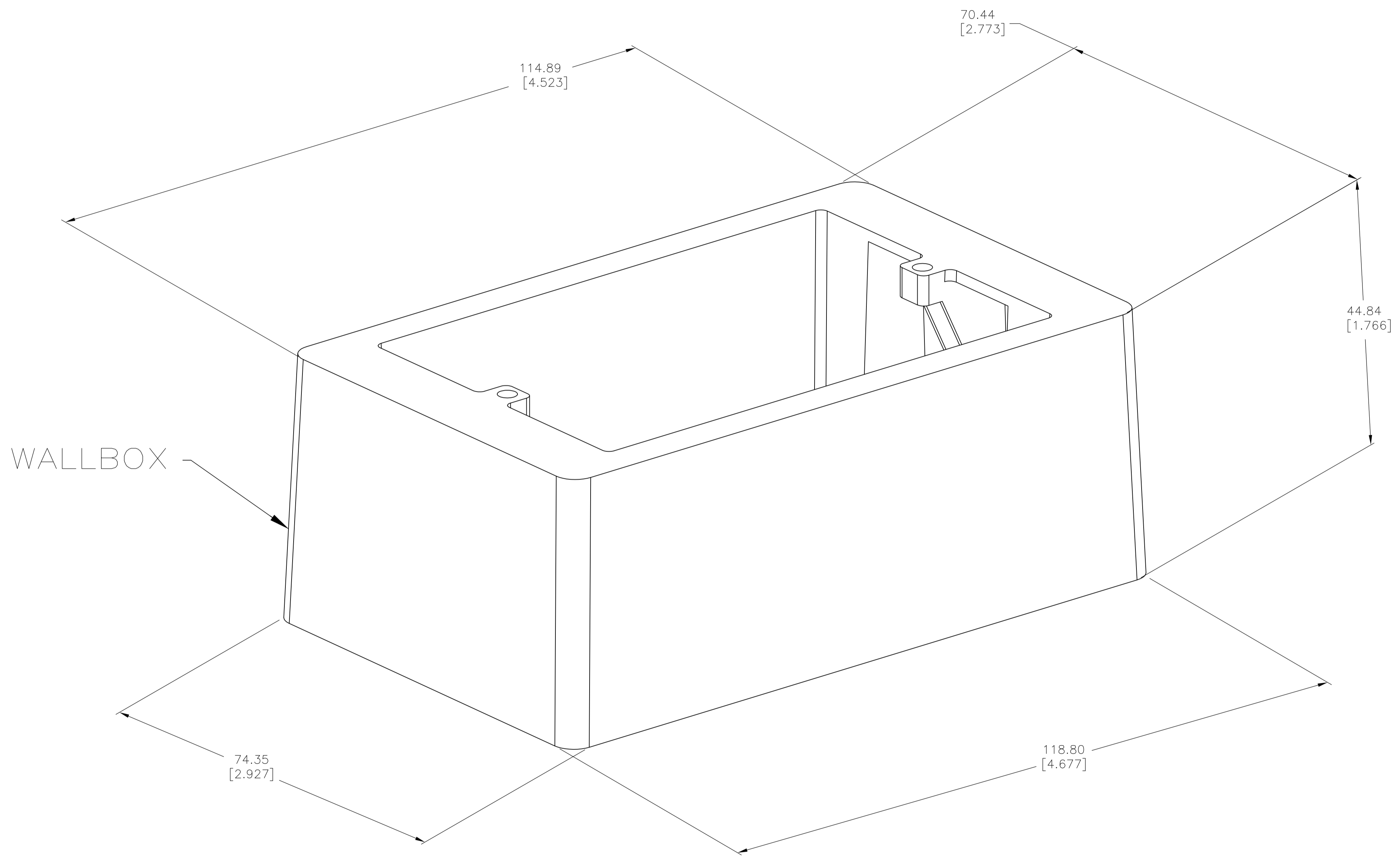


LOC	DIST	REVISIONS				
HM	00	REV	DESCRIPTION	DATE	BY	APPV
		A	ADD: -5; NPR C97-105	23JUN97	GG	GB
		B	REV ECO-07-010901	14MAY07	LH	GB
		C	ADD 1-3, REV ECO-11-011291	01JUN2011	LH	RA



- 1 MATERIAL: POLYCARBONATE MOLDING COMPOUND
94V-0 RATED, SEE TABLE.
SCREWS - ZINC PLATED CARBON STEEL.
- 2 ALL DIMENSIONS ARE MAXIMUM.
- 3 TWO 6-20X12.7 [.50] PAN HEAD, TYPE B, SELF TAPPING SCREWS AND TWO PIECES OF FOAM TAPE 25.4 [1.00] X 25.4 [1.00] X 0.76 [.03] THICK AND PROVIDED FOR MOUNTING.
- 4 PACKAGED UNASSEMBLED, ONE KIT PER POLYBAG.

SUPERSEDED BY I-558251-I	ALPINE WHITE	1-558251-3
	ELECTRIC IVORY	1-558251-1
	ELECTRIC IVORY	558251-5
	NEMA GRAY	558251-4
	WHITE	558251-3
	BLACK	558251-2
	LT ALMOND	558251-1
COLOR	PART NO.	

THIS DRAWING IS A CONTROLLED DOCUMENT.		DIN	TL PITTS	11-19-93
DIMENSIONS: mm [INCHES]		CHK	C. WHITT	11-24-93
TOLERANCES UNLESS OTHERWISE SPECIFIED:		APVD	J. SCHLUNZ	11-24-93
0. PLC	± .00	PRODUCT SPEC		
1. PLC	± .01	APPLICATION SPEC		
2. PLC	± .02	SIZE	A1	00779
3. PLC	± .03	WEIGHT	558251	
4. PLC	± .04	CUSTOMER DRAWING		
ANGLES	± .05	SCALE	2:1	SHEET 1 OF 1
		REV	C	