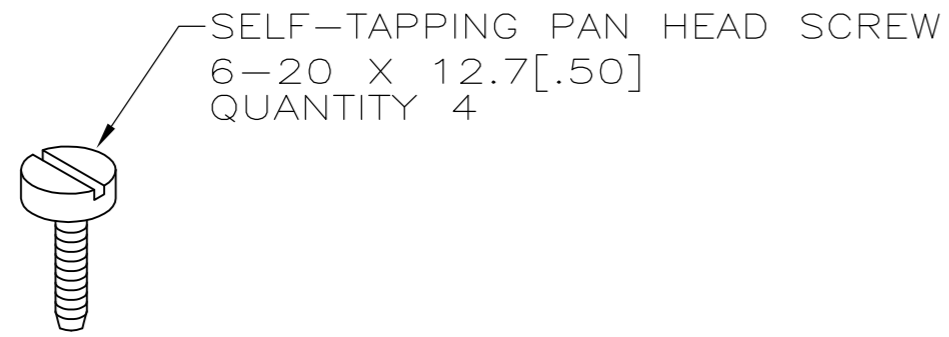
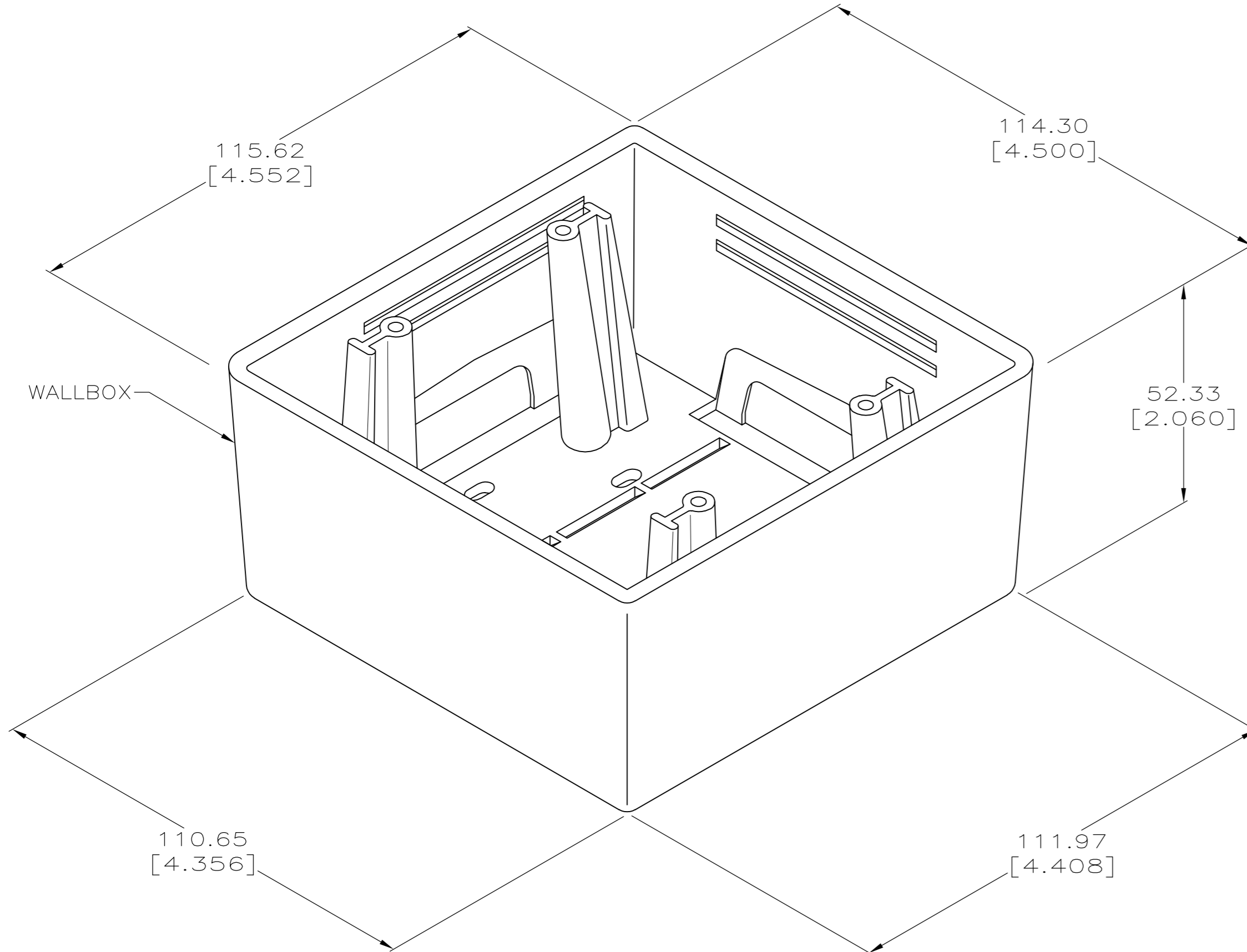


THIS DRAWING IS UNPUBLISHED. RELEASED FOR PUBLICATION
 © COPYRIGHT - By - ALL RIGHTS RESERVED.

LOC	DIST	REVISIONS			
P	LTR	DESCRIPTION	DATE	DWN	APVD
HM	00	F	REV, ECO-13-003261	25FEB2013	JM RA



- 1 MATERIAL: POLYCARBONATE MOLDING COMPOUND, 94V-0 RATED, SEE TABLE FOR COLOR. SCREWS - ZINC PLATED CARBON STEEL.
- 2 ALL DIMENSIONS ARE MAXIMUM.
- 3 KIT SHIPPED NOT ASSEMBLED.
- 4 PACKAGED ONE KIT PER POLYBAG.



SUPERSEDED BY I-569499-I

ALPINE WHITE	1-569499-3
ELECTRIC IVORY	1-569499-1
ELECTRIC IVORY	569499-5
NEMA GRAY	569499-4
WHITE	569499-3
BLACK	569499-2
LT ALMOND	569499-1
COLOR	PART NO.

THIS DRAWING IS A CONTROLLED DOCUMENT.		DWN DL DRUMMOND 8-22-95	TE TE Connectivity	
DIMENSIONS: mm [INCHES]		CHK B. FOX 8-30-95		
TOLERANCES UNLESS OTHERWISE SPECIFIED:		APVD B. ANTHONY 8-30-95	NAME WALLBOX KIT, SURFACE, DUAL GANG	
0 PLC ± -	1 PLC ± -	PRODUCT SPEC	SIZE A2	CAGE CODE 00779
2 PLC ± -	3 PLC ± -	APPLICATION SPEC	DRAWING NO C=569499	RESTRICTED TO -
4 PLC ± -	ANGLES ± -	FINISH	SCALE 1:1	SHEET 1 of 1
MATERIAL	FINISH	WEIGHT -	CUSTOMER DRAWING	REV F