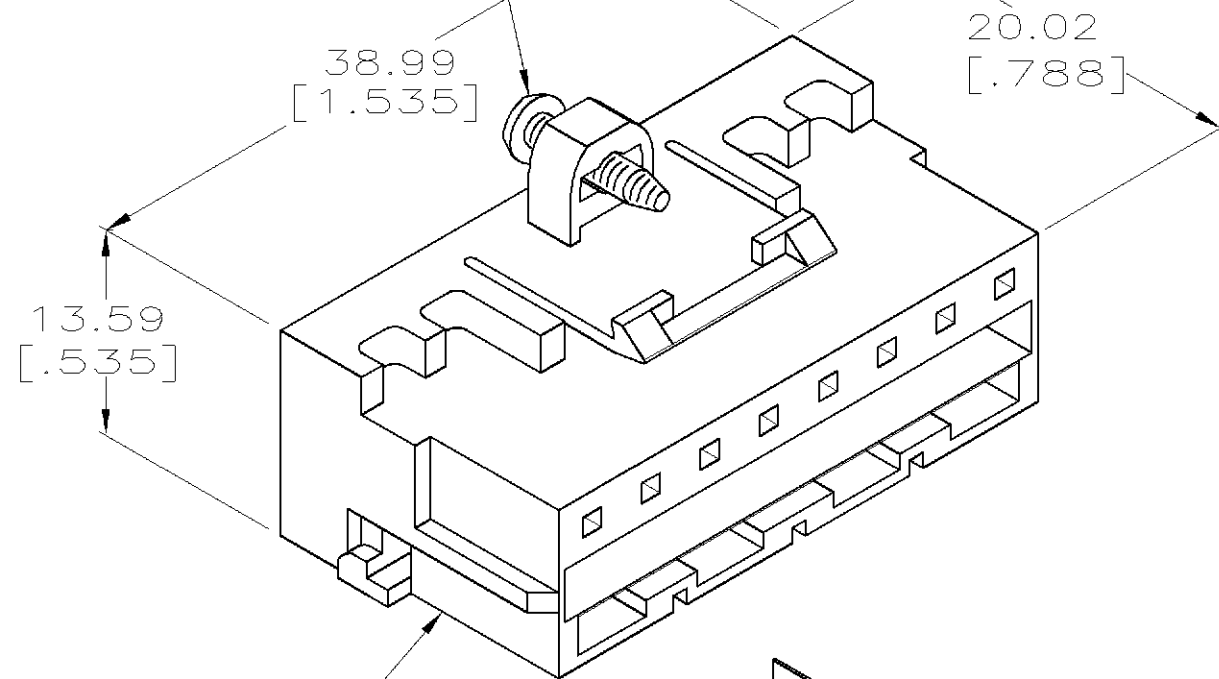


THIS DRAWING IS UNPUBLISHED. RELEASED FOR PUBLICATION
 © COPYRIGHT BY TYCO ELECTRONICS CORPORATION. ALL RIGHTS RESERVED.

LOC	DIST	REVISIONS			
P	LTR	DESCRIPTION	DATE	DWN	APVD
	B	REDWN & REV; EC 0B40-0013-02	21JAN02	LH	CD

SCREW, PAN HEAD,
 SELF-TAPPING
 NO. 2 X 9.5[.375] LONG



EDGE CONNECTOR

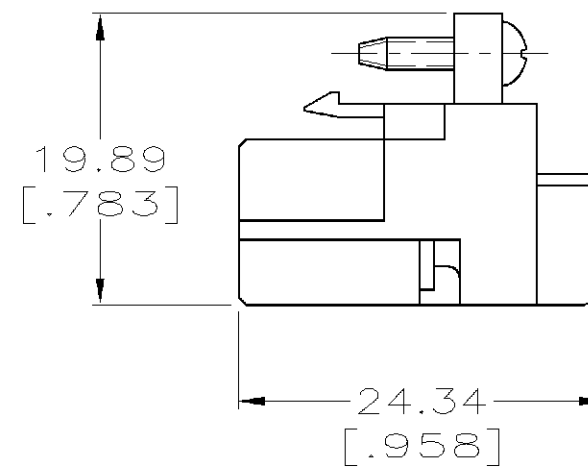
STUFFER ASSEMBLY

1. ALL DIMENSIONS SHOWN ARE MAXIMUM.



MATERIAL:
 CONNECTOR HOUSING - POLYESTER MOLDING COMPOUND, BLACK.
 TERMINALS - 1.02μm[.000040] MINIMUM GOLD PLATE OVER 1.27μm[.000050] MINIMUM NICKEL PLATE IN CONTACT AREA, GOLD FLASH OVER REST OF TERMINAL.
 STUFFER - POLYCARBONATE MOLDING COMPOUND, CLEAR.
 SCREW - ZINC PLATED STEEL.

3. KIT SHIPPED NOT ASSEMBLED.



ASSEMBLED VIEW

406397-1
 PART NO.

THIS DRAWING IS A CONTROLLED DOCUMENT.		DWN L. HALL 18JAN2002	Tyco Electronics Corporation Harrisburg, Pa., 17105-3608		
DIMENSIONS: MM [INCHES]		CHK C. DOOLEY 21JAN02			
TOLERANCES UNLESS OTHERWISE SPECIFIED:		APVD C. DOOLEY 21JAN02	NAME EDGE CONNECTOR KIT AMP COMMUNICATION OUTLET		
		PRODUCT SPEC -	APPLICATION SPEC -		
MATERIAL		WEIGHT -	SIZE A3	CAGE CODE 00779	DRAWING NO C-406397
FINISH		CUSTOMER DRAWING	RESTRICTED TO -	SCALE 2:1	SHEET 1 OF 1
				REV B	