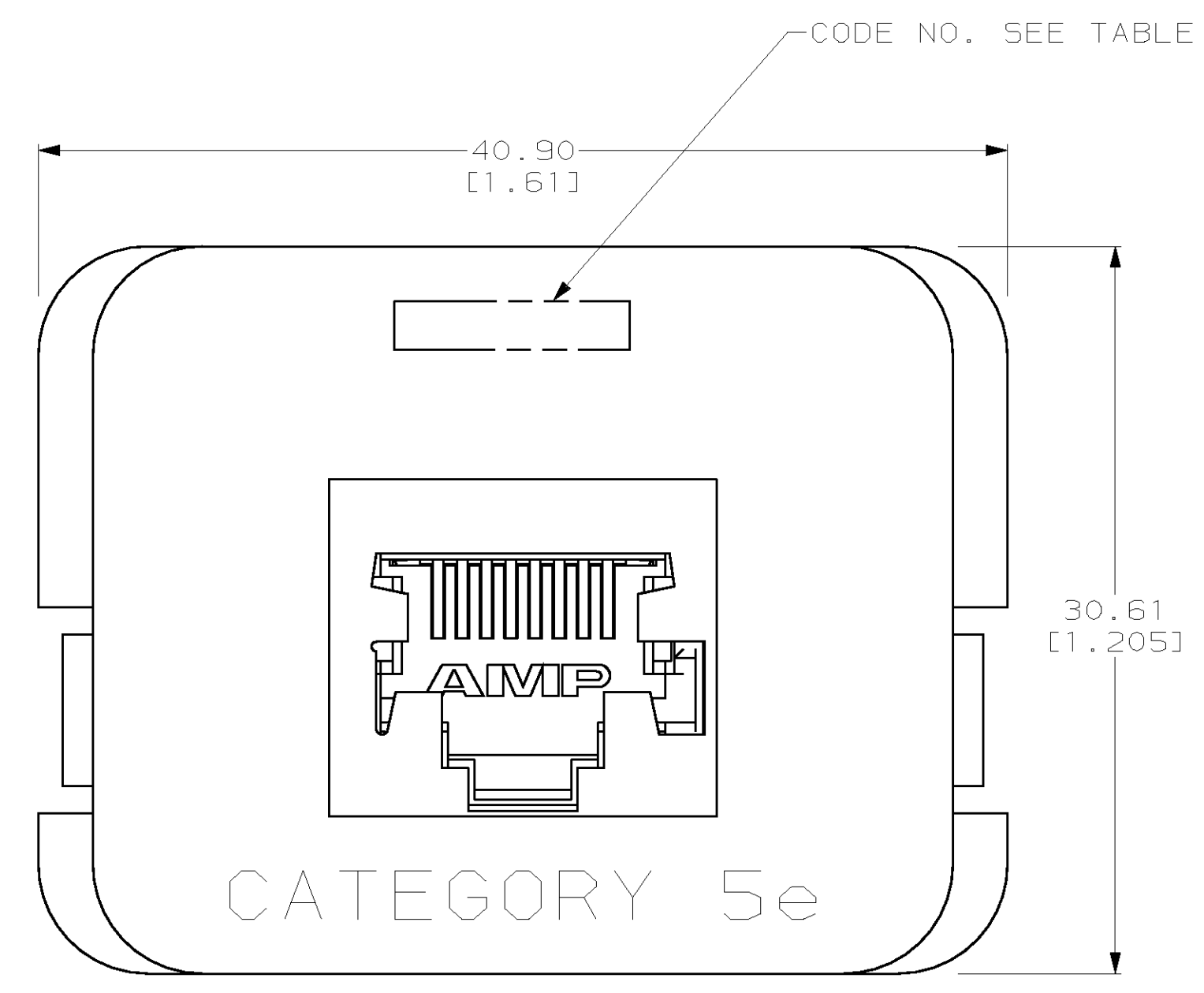
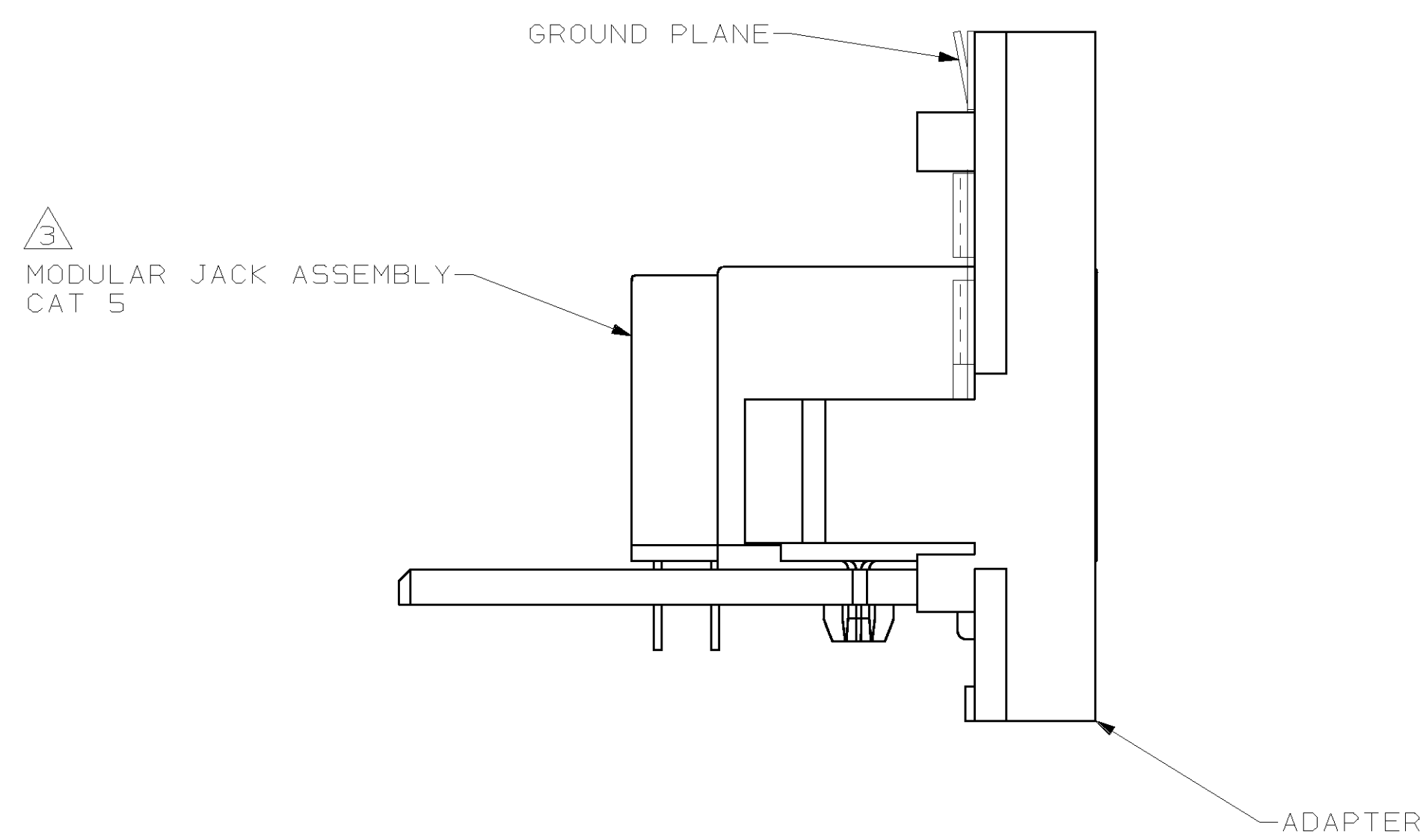
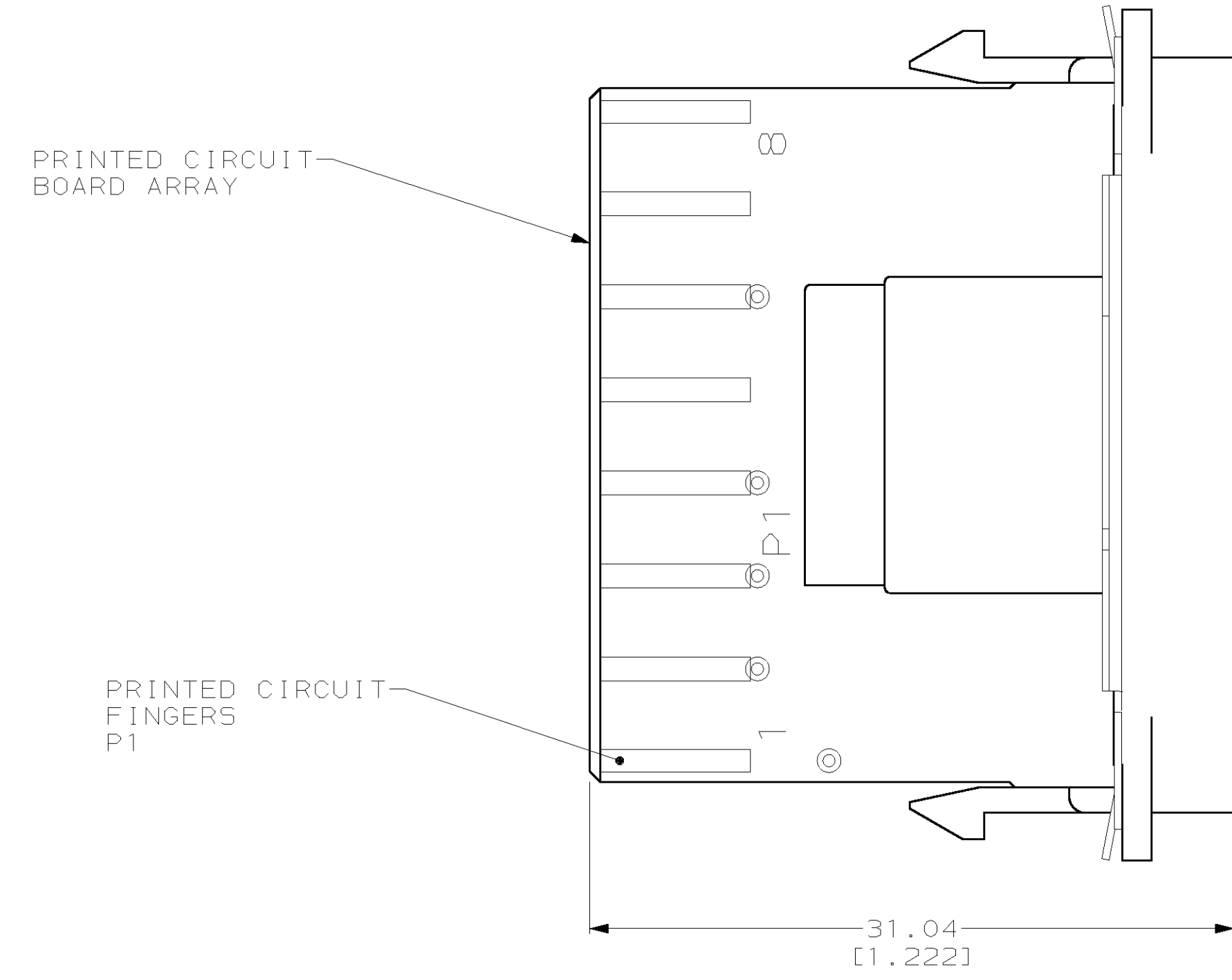
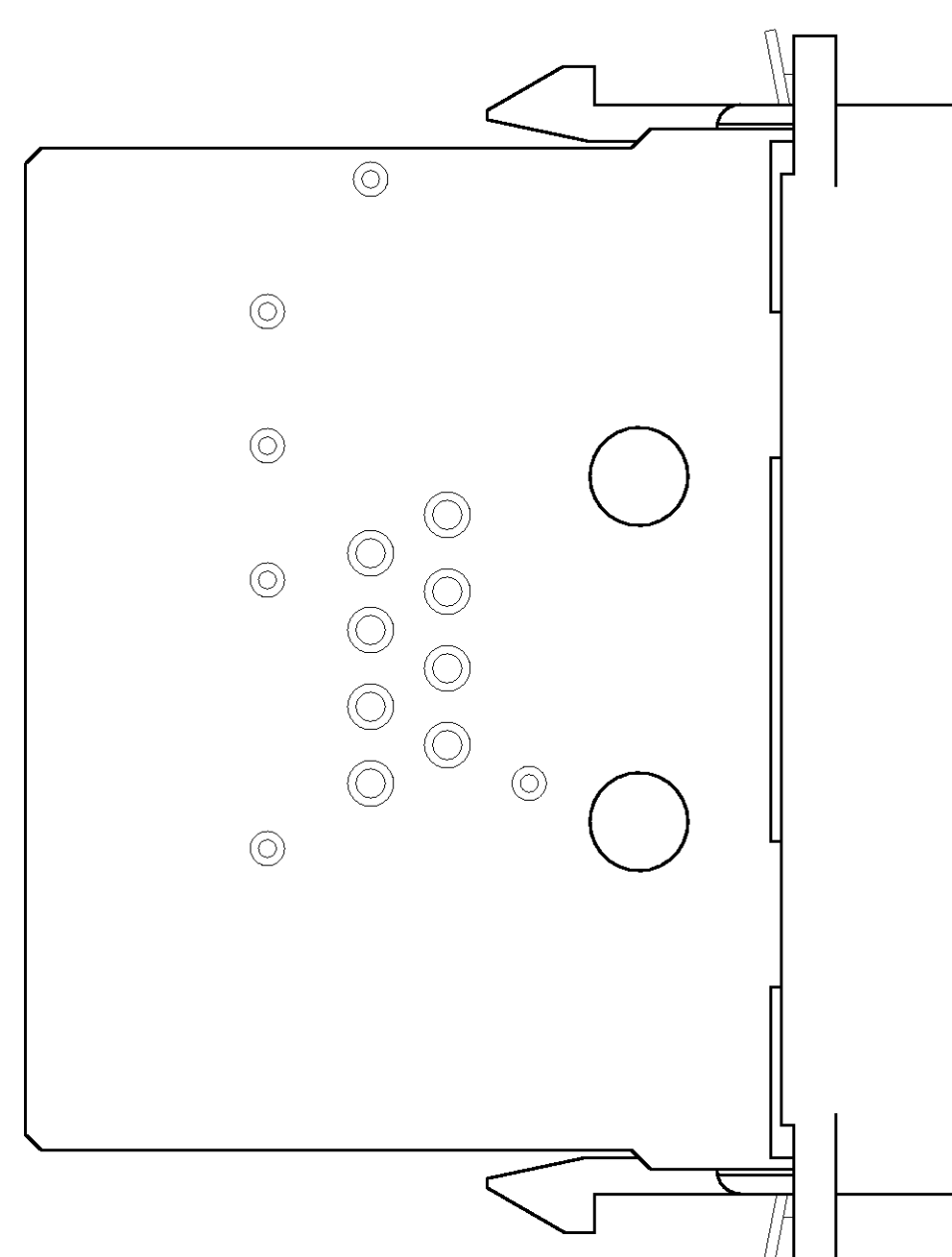
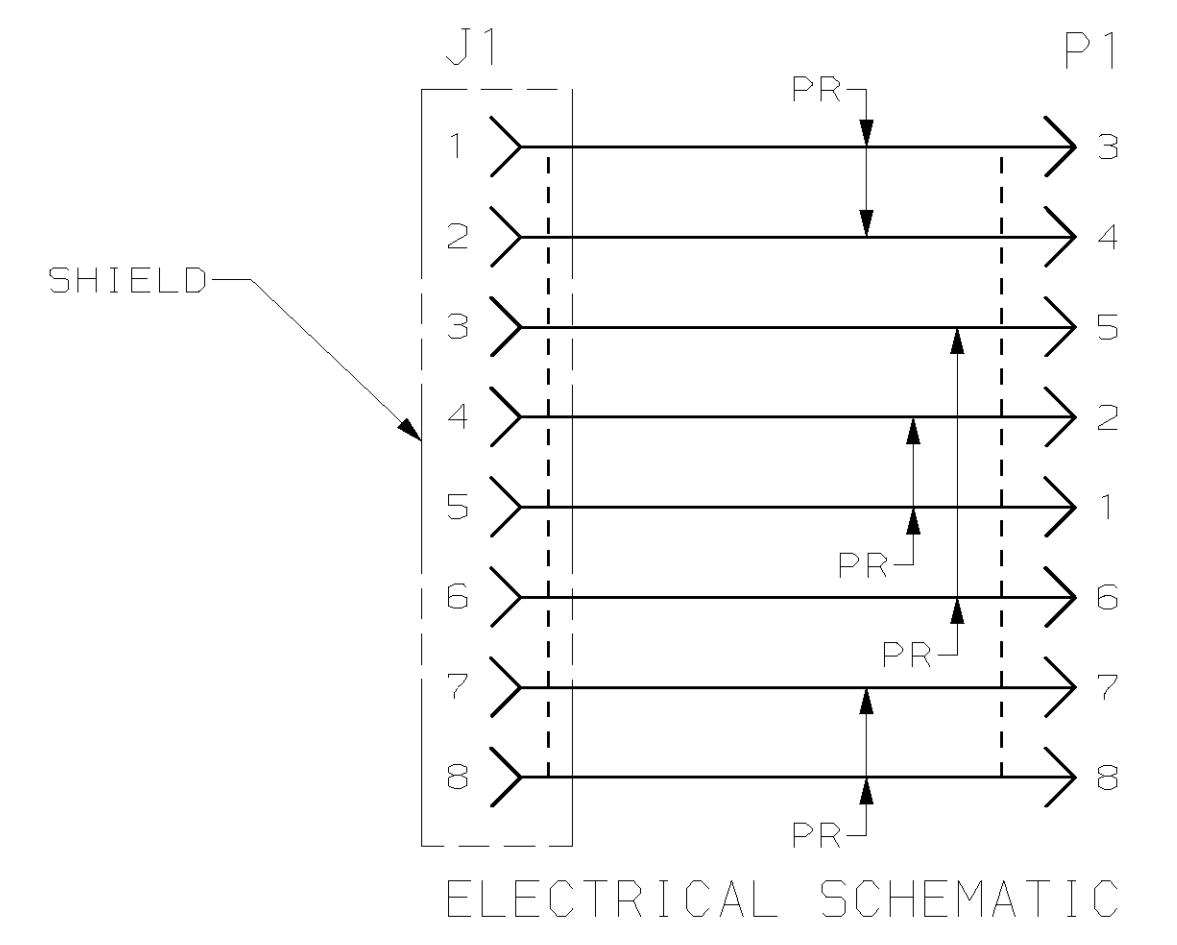


LOC		DIST		REVISIONS			
TR	LF	DATE	DESCRIPTION	DATE	OWN	APPV	
B		22FEB02	REV, EC 0B40-0070-02		GG	CD	



- 1. DIMENSIONS ARE MAXIMUM.
- 2. MATERIAL:
 PRINTED CIRCUIT BOARD - LAMINATED PLASTIC SHEET, 1.57[.062] THICK.
 ADAPTER - ABS MOLDING COMPOUND, SEE TABLE FOR COLOR.
 PRINTED CIRCUIT FINGERS - 0.51μm[.000020] MINIMUM GOLD PLATE OVER 1.27μm[.000050] MINIMUM NICKEL PLATE.
 GROUND PLANE - 2.54μm[.000100] MINIMUM TIN OVER 0.33[.0135] THICK BRASS.
- 3. THIS INTERCONNECT MEETS THE REQUIREMENTS OF IEC 603-7.
- 4. THIS INSERT IS DESIGNED TO MATE WITH AMP INC. EDGE CONNECTOR KIT AND WALLBOX KITS.



BLACK	955-5	WHITE	406955-5
BLACK	955-4	NEMA GRAY	406955-4
WHITE	955-3	BLACK	406955-3
BLACK	955-1	LIGHT ALMOND	406955-1
MARKINGS COLOR	CODE NO.	ADAPTER COLOR	PART NO.

THIS DRAWING IS A CONTROLLED DOCUMENT.

DWN	T. SPRINKLE	27FEB99	AMP	AMP Incorporated Harrisburg, PA 17105-3608
CHK	T. SPRINKLE	27FEB99		
APVD	S. FULP	27FEB99	NAME	
DIMENSIONS: mm (INCHES)			PRODUCT SPEC	
TOLERANCES UNLESS OTHERWISE SPECIFIED:			APPLICATION SPEC	
0 PLC ±.1			SIZE	
1 PLC ±.1			CAGE CODE	
2 PLC ±.1			DRAWING NO	
3 PLC ±.1			WEIGHT	
4 PLC ±.1			SCALE	
ANGLES			SHEET	
FINISH			REV	

CUSTOMER DRAWING

INSERT ASSEMBLY, RJ45, SHIELDED, KEYED, AT&T, CATEGORY 5e, AMP COMMUNICATION OUTLET

A1 00779 C-406955

SCALE 4:1 SHEET 1 OF 1 REV B