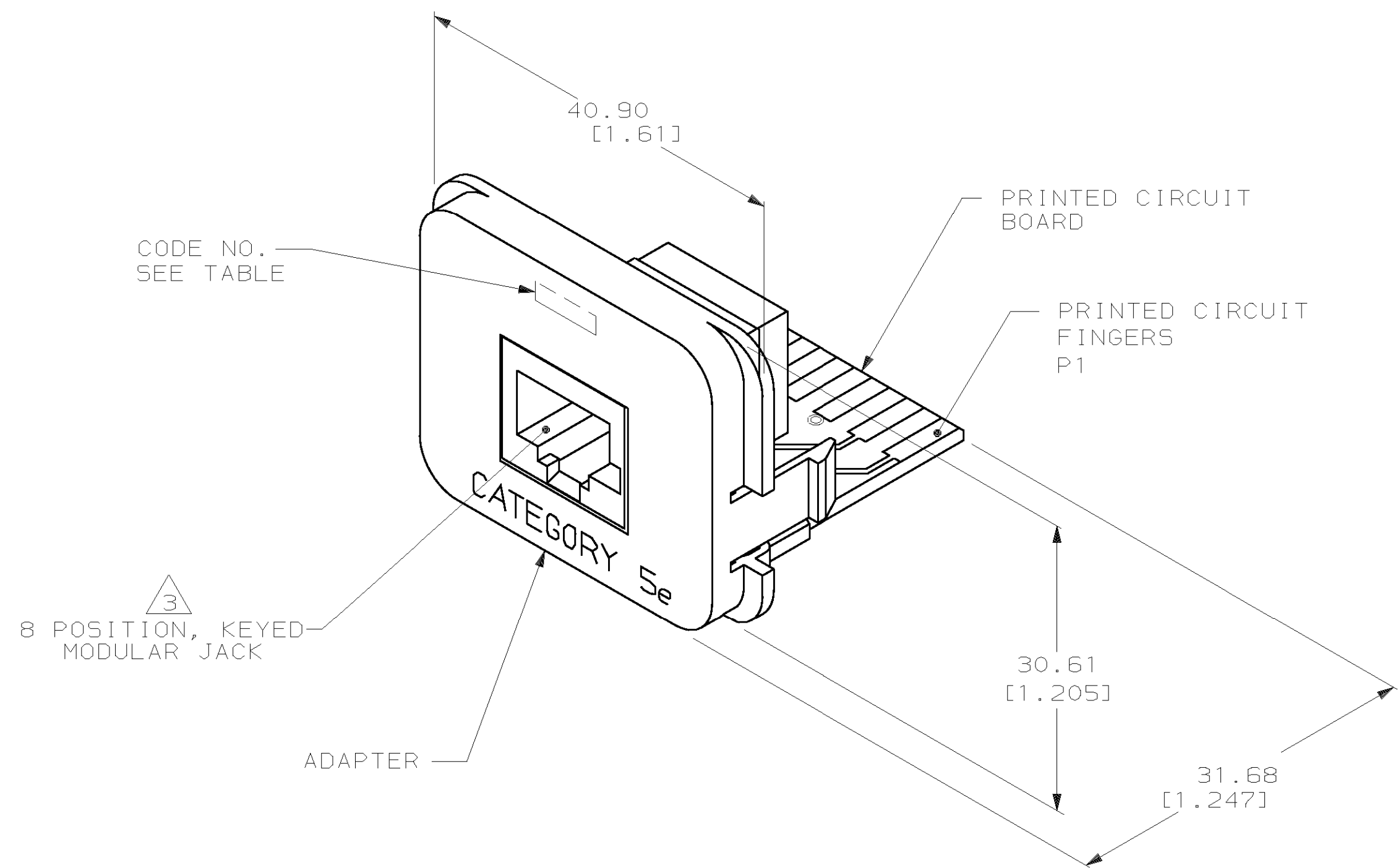
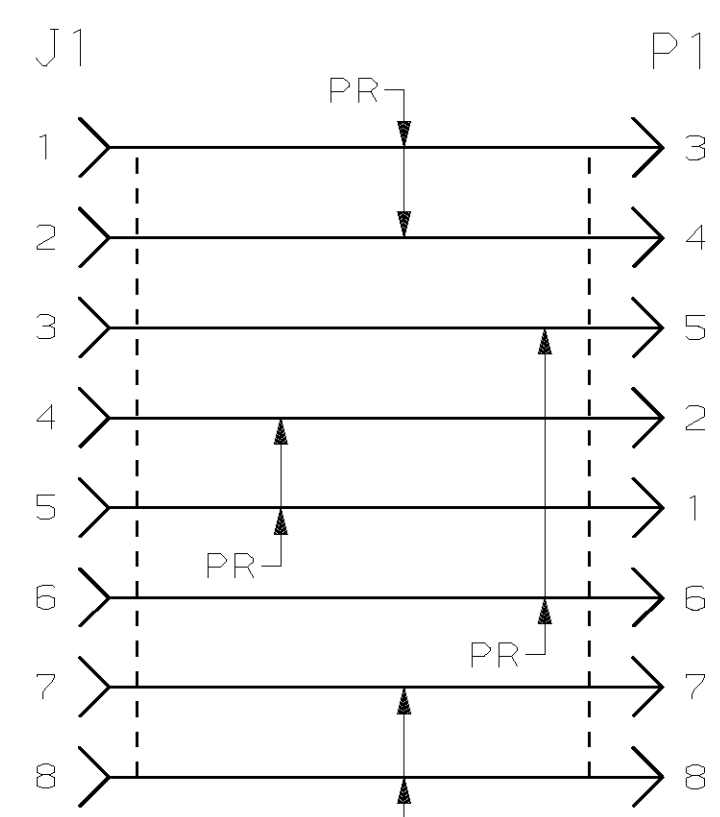


LOC	DIST	P	F	ZONE	LTR	DESCRIPTION	DATE	APPD
HM	00				B	REV; EC 0B40-0015-01	26JAN01	GG HD



- ① DIMENSIONS ARE MAXIMUM.
- ② MATERIAL: PRINTED CIRCUIT BOARD- LAMINATED PLASTIC SHEET, 1.57 [0.062] THICK. ADAPTER-ABS MOLDING COMPOUND, SEE TABLE. PRINTED CIRCUIT FINGERS-0.51µm [0.00020] MINIMUM GOLD PLATE OVER 1.27µm [0.00050] MINIMUM NICKEL PLATE.
- ③ THIS INTERCONNECT MEETS THE REQUIREMENTS OF IEC 603-7.
- 4. THIS INSERT IS DESIGNED TO MATE WITH AMP INC. EDGE CONNECTOR KIT AND WALLBOX KITS.



ELECTRICAL SCHEMATIC

BLACK	909-6	IVORY	558909-6
BLACK	909-5	WHITE	558909-5
BLACK	909-4	NEMA GRAY	558909-4
WHITE	909-3	BLACK	558909-3
BLACK	909-1	LIGHT ALMOND	558909-1
MARKING COLOR	CODE NO.	ADAPTER COLOR	PART NO

DO NOT SCALE PRINT. UNLESS SPECIFIED DIMENSIONS IN mm [INCHES] TOLERANCES ON : 2 PLC DEC ± 3 PLC DEC ± ANGLES ±	DR 12-5-94 M.D.BYERLY	AMP Incorporated Harrisburg, PA 17105-3608	
	CHK 12-12-94 B.FOX		
MATERIAL	APPD 12-12-94 M. MILLER	INSERT ASSEMBLY, RJ45, T568B, CATEGORY 5e AMP COMMUNICATION OUTLET	
	APPD 12-12-94 M. MILLER		
FINISH	PRODUCT SPEC 108-1163	CAGE CODE	DRAWING NO
	APPLICATION SPEC 114-2048	③ 00779	③=558909
THIS DRAWING IS A CONTROLLED DOCUMENT FOR AMP INCORPORATED. IT IS SUBJECT TO CHANGE AND THE CONTROLLING ENGINEERING ORGANIZATION SHOULD BE CONTACTED FOR THE LATEST REVISION.	WEIGHT -	SCALE	SHEET
		2:1	1 OF 1