

4

3

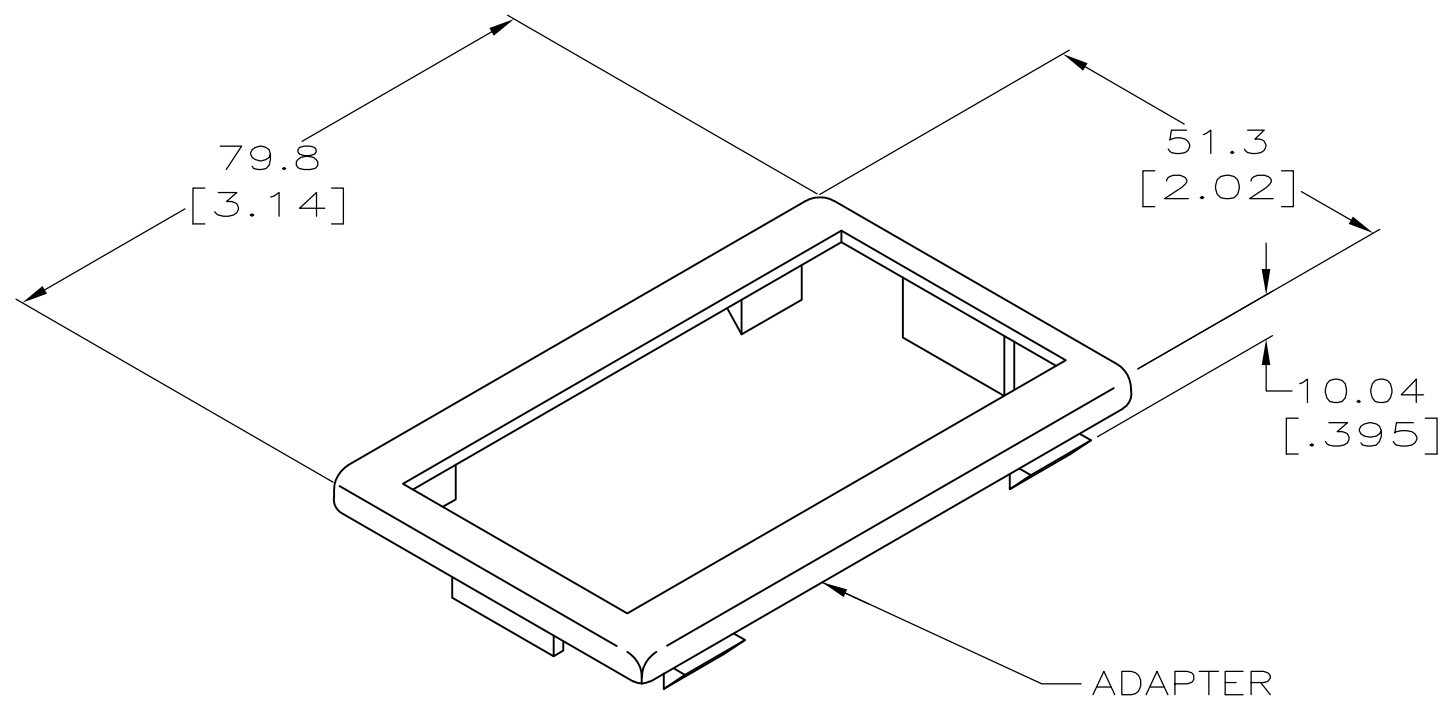
2

1

THIS DRAWING IS UNPUBLISHED. RELEASED FOR PUBLICATION  
 © COPYRIGHT BY TYCO ELECTRONICS CORPORATION. ALL INTERNATIONAL RIGHTS RESERVED.

| LOC | DIST | REVISIONS |     |                   |           |     |      |
|-----|------|-----------|-----|-------------------|-----------|-----|------|
|     |      | P         | LTR | DESCRIPTION       | DATE      | DWN | APVD |
| HM  | 00   |           | A   | REV ECO-11-000935 | 14JAN2011 | LH  | RA   |

- 1. DIMENSIONS ARE MAXIMUM.
- 2. MATERIAL: ADAPTER— POLYCARBONATE MOLDING COMPOUND, 94V-0 RATED, SEE TABLE FOR COLOR. TUBING— BLACK POLYOLEFIN.
- 3. KIT SHIPPED NOT ASSEMBLED.
- 4. KIT INCLUDES TUBING — NOT SHOWN.



|            |          |
|------------|----------|
| NEMA GRAY  | 558493-4 |
| SOFT WHITE | 558493-2 |
| BLACK      | 558493-1 |
| COLOR      | PART NO. |

|  |  |                                     |   |                        |
|--|--|-------------------------------------|---|------------------------|
| THIS DRAWING IS A CONTROLLED DOCUMENT. |  | DWN<br>K. TILLMAN/UTA<br>3-29-94    | Tyco Electronics Corporation<br>Harrisburg, PA 17105-3608 |                        |
| DIMENSIONS:<br>MM [INCHES]             |  | CHK<br>D. HUSSEY<br>3-29-94         | NAME<br>ADAPTER KIT,<br>HERMAN MILLER, FLEXMODE           |                        |
| TOLERANCES UNLESS OTHERWISE SPECIFIED: |  | APVD<br>J. KILPATRICK<br>3-29-94    | SIZE<br>A3  |                        |
| 0 PLC ± -                              |  | PRODUCT SPEC<br>D. MARGO<br>3-29-94 | CAGE CODE<br>00779  | DRAWING NO<br>C-558493 |
| 1 PLC ± -                              |  | APPLICATION SPEC                    | RESTRICTED TO   |                        |
| 2 PLC ± -                              |  | 408-9957                            | -   |                        |
| 3 PLC ± -                              |  | WEIGHT                              | -   |                        |
| 4 PLC ± -                              |  | CUSTOMER DRAWING                    | SCALE<br>1:1  | SHEET<br>1 OF 1        |
| ANGLES ± -                             |  | REV<br>A                            |   |                        |
| FINISH                                 |  |                                     |   |                        |
| -                                      |  |                                     |   |                        |