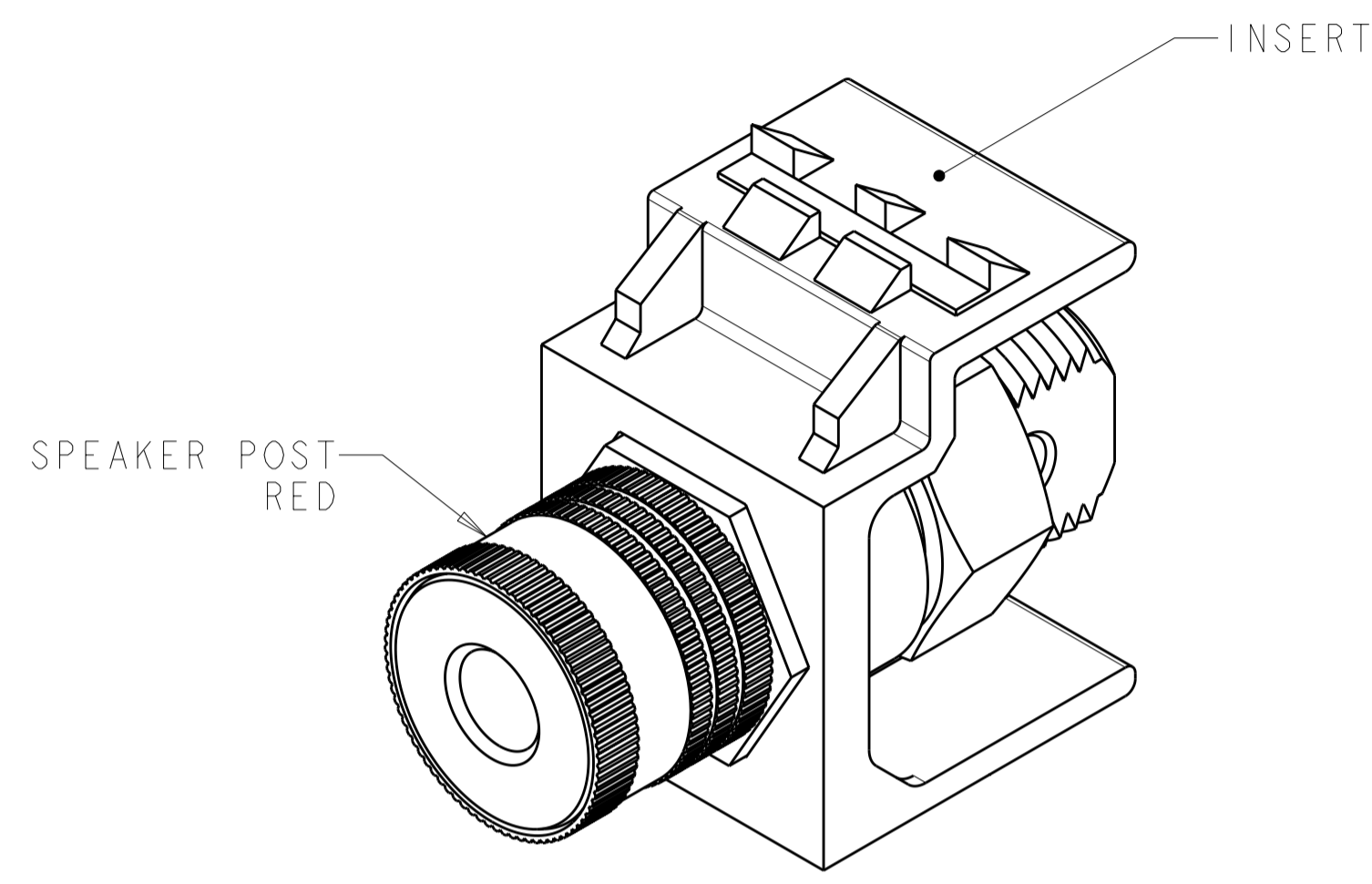


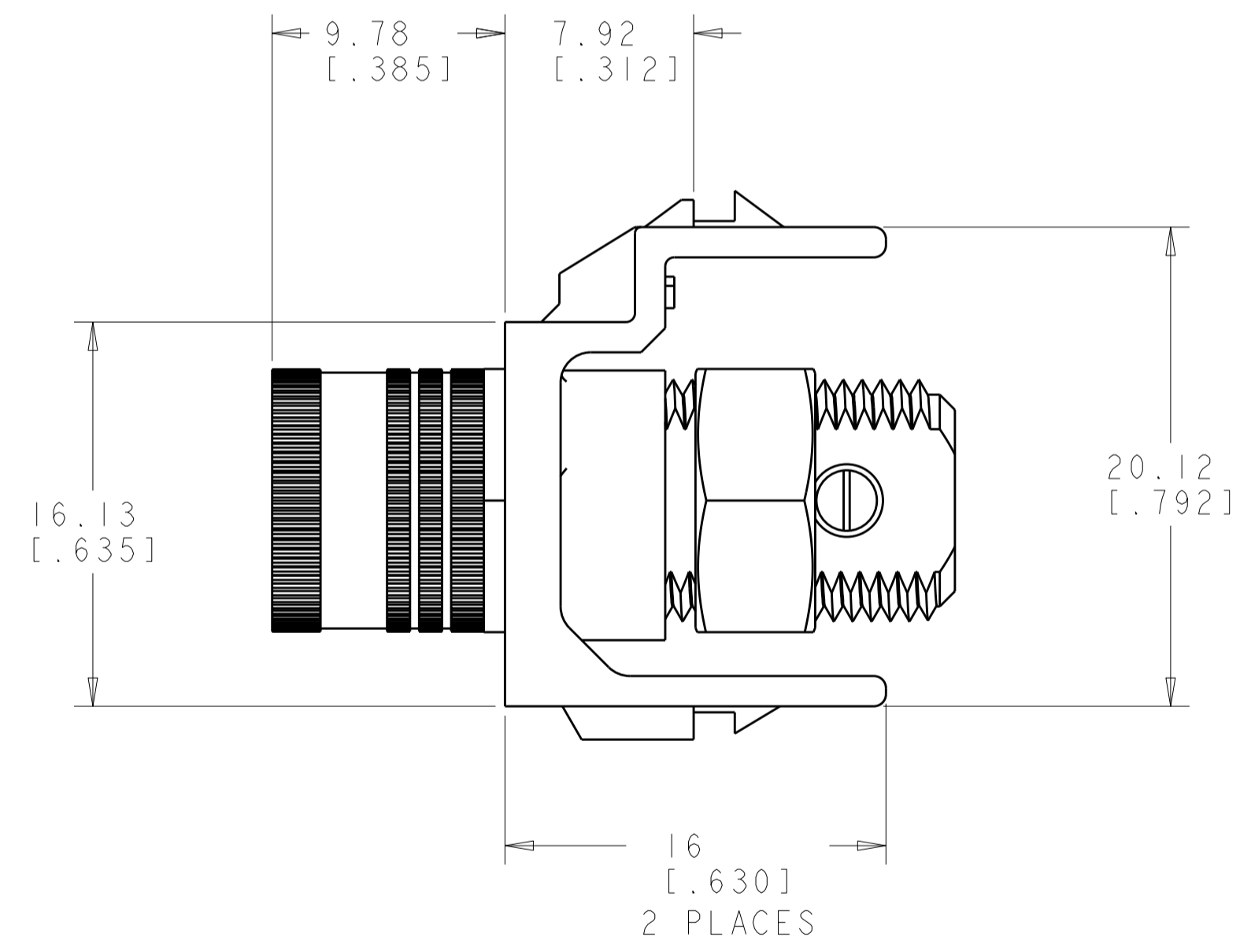
THIS DRAWING IS UNPUBLISHED. RELEASED FOR PUBLICATION 20
 © COPYRIGHT 20 BY TYCO ELECTRONICS CORPORATION. ALL RIGHTS RESERVED.

LOC	DIST	REVISIONS					
HM	00	P	LTR	DESCRIPTION	DATE	DWN	APVD
		A		RLSD; NPR NSD02-011	22MAR02	GG	GB
		B		REV; ECO-10-010362	18MAY2010	GG	RA



1 MATERIAL:
 INSERT - POLYCARBONATE MOLDING COMPOUND,
 SEE TABLE FOR COLOR.
 SPEAKER POST - BRASS, GOLD PLATED.

2 UNLESS OTHERWISE SPECIFIED ALL
 DIMENSIONS ARE SHOWN NOMINAL.



ALPINE WHITE	1-1479191-3
ELECTRIC IVORY	1-1479191-1
NEMA GRAY	1479191-4
WHITE	1479191-3
BLACK	1479191-2
LIGHT ALMOND	1479191-1
COLOR	PART NUMBER

<small>THIS DRAWING IS A CONTROLLED DOCUMENT FOR TYCO ELECTRONICS CORPORATION IT IS SUBJECT TO CHANGE AND THE CONTROLLING ENGINEERING ORGANIZATION SHOULD BE CONTACTED FOR THE LATEST REVISION.</small>		DWN G. GARRETT 22MAR02 CHK G. BOWMAN 22MAR02 APVD G. BOWMAN 22MAR02	Tyco Electronics Tyco Electronics Harrisburg, PA 17105-3608
DIMENSIONS: MM [INCHES]	TOLERANCES UNLESS OTHERWISE SPECIFIED:	PRODUCT SPEC APPLICATION SPEC WEIGHT	NAME INSERT ASSEMBLY, SPEAKER POST, RED, SL SERIES
0 PLC ± 1 PLC ± 2 PLC ± 3 PLC ± 4 PLC ± ANGLES ± FINISH -	± ± ± ± ± ± -	- - -	SIZE A2 CAGE CODE 00779 DRAWING NO. 1479191 RESTRICTED TO -
MATERIAL - 1		CUSTOMER DRAWING	SCALE 4:1 SHEET 1 OF 1 REV B