

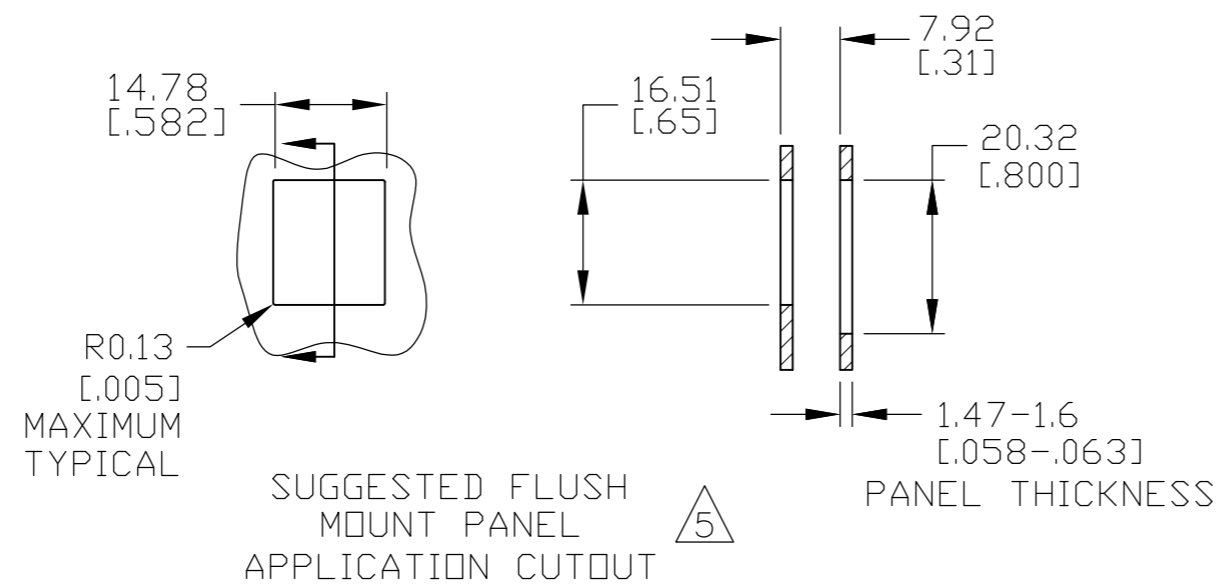
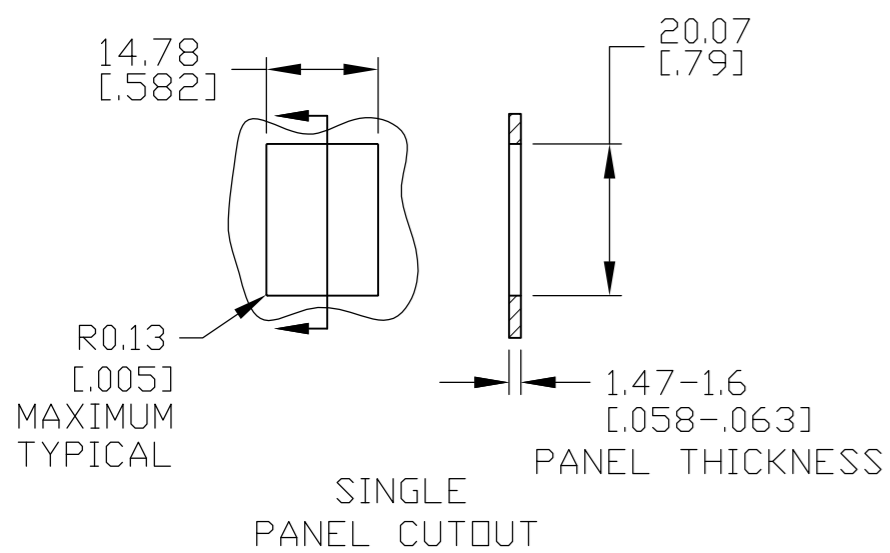
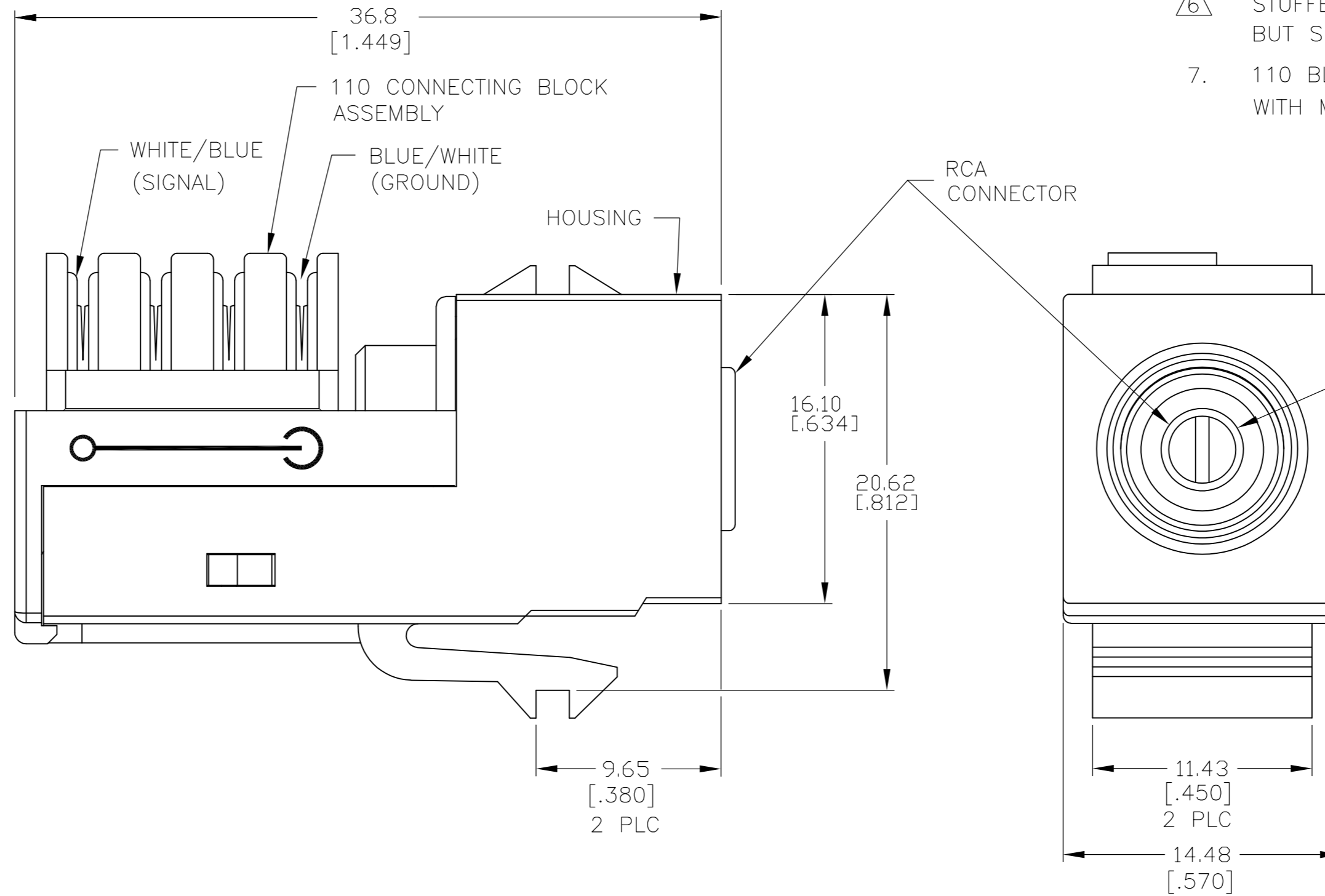
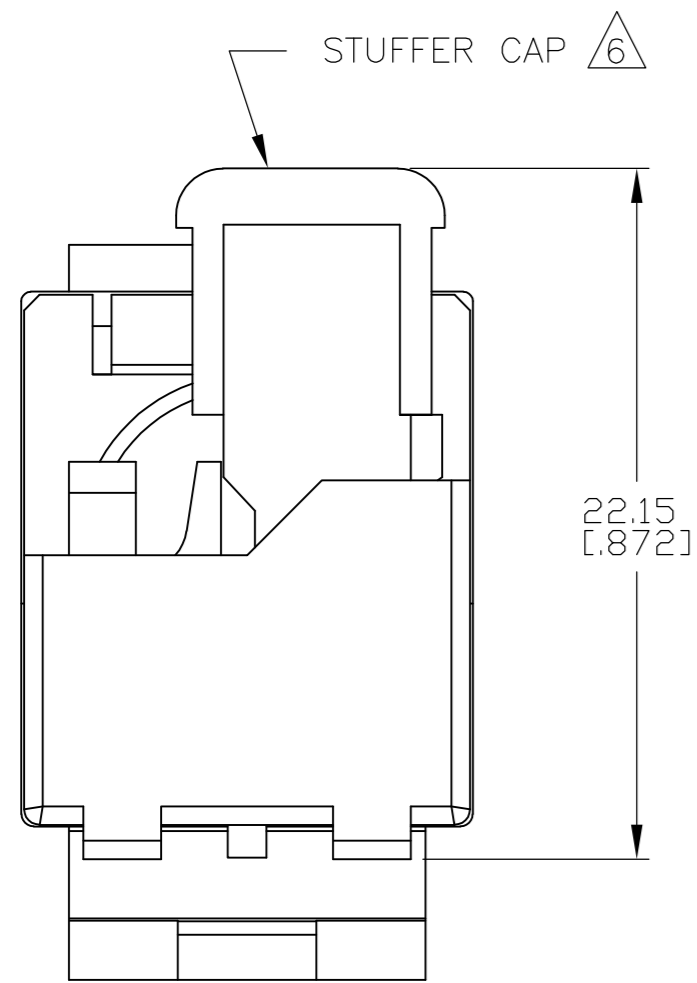
THIS DRAWING IS UNPUBLISHED. RELEASED FOR PUBLICATION
 © COPYRIGHT BY TYCO ELECTRONICS CORPORATION. ALL RIGHTS RESERVED.

LOC	DIST	REVISIONS			
P	LTR	DESCRIPTION	DATE	DWN	APVD
HM	00	D	SUPSD -3, REV ECO-10-006015	22MAR2010	LH RA

COLOR CODE 110 BLOCK RCA
 BLUE/WHITE ———— GROUND
 WHITE/BLUE ———— SIGNAL

ELECTRICAL SCHEMATIC

- 1 MATERIAL: HOUSING - POLYPHENYLENE OXIDE, 94V-0 RATED. SEE TABLE FOR COLOR. STUFFER AND 110 BLOCK - POLYCARBONATE, 94V-0 RATED.
- 2. PACKAGED 1 KIT PER POLYBAG.
- 3. DIMENSIONS SHOWN ARE FOR REFERENCE ONLY.
- 4. MOUNTING PANEL THICKNESS 1.473 - 1.600 [.058 - .063].
- 5 THESE TWO SUGGESTED CUTOUT OPENINGS ARE USED IN TANDEM WITH DUAL FRONT AND BACK CUTOUTS.
- 6 STUFFER CAP SHOWN ASSEMBLED, BUT SHIPPED UNASSEMBLED.
- 7. 110 BLOCK WILL TERMINATE 22-26 AWG SOLID CONDUCTOR WITH MAXIMUM INSULATING DIAMETER OF 1.27[.050].



ALPINE WHITE	1-1479232-3
ELECTRIC IVORY	1-1479232-1
NEMA GRAY	1479232-4
BLACK	1479232-2
LIGHT ALMOND	1479232-1
COLOR	PART NUMBER

THIS DRAWING IS A CONTROLLED DOCUMENT.		DWN L. HALL 29APR02	Tyco Electronics Corporation Harrisburg PA 17105-3608	
DIMENSIONS: mm [INCHES]		CHK G. BOWMAN 30APR02		
TOLERANCES UNLESS OTHERWISE SPECIFIED:		APVD G. BOWMAN 30APR02	NAME KIT, ADAPTOR RCA/110 CONNECT, YELLOW	
0 PLC ± -		PRODUCT SPEC	SIZE A2 CAGE CODE 00779 C=1479232	
1 PLC ± -		APPLICATION SPEC	RESTRICTED TO	
2 PLC ± -		WEIGHT	SCALE 4:1 SHEET 1 OF 1 REV D	
3 PLC ± -		CUSTOMER DRAWING		
4 PLC ± -				
ANGLES ±				
FINISH				