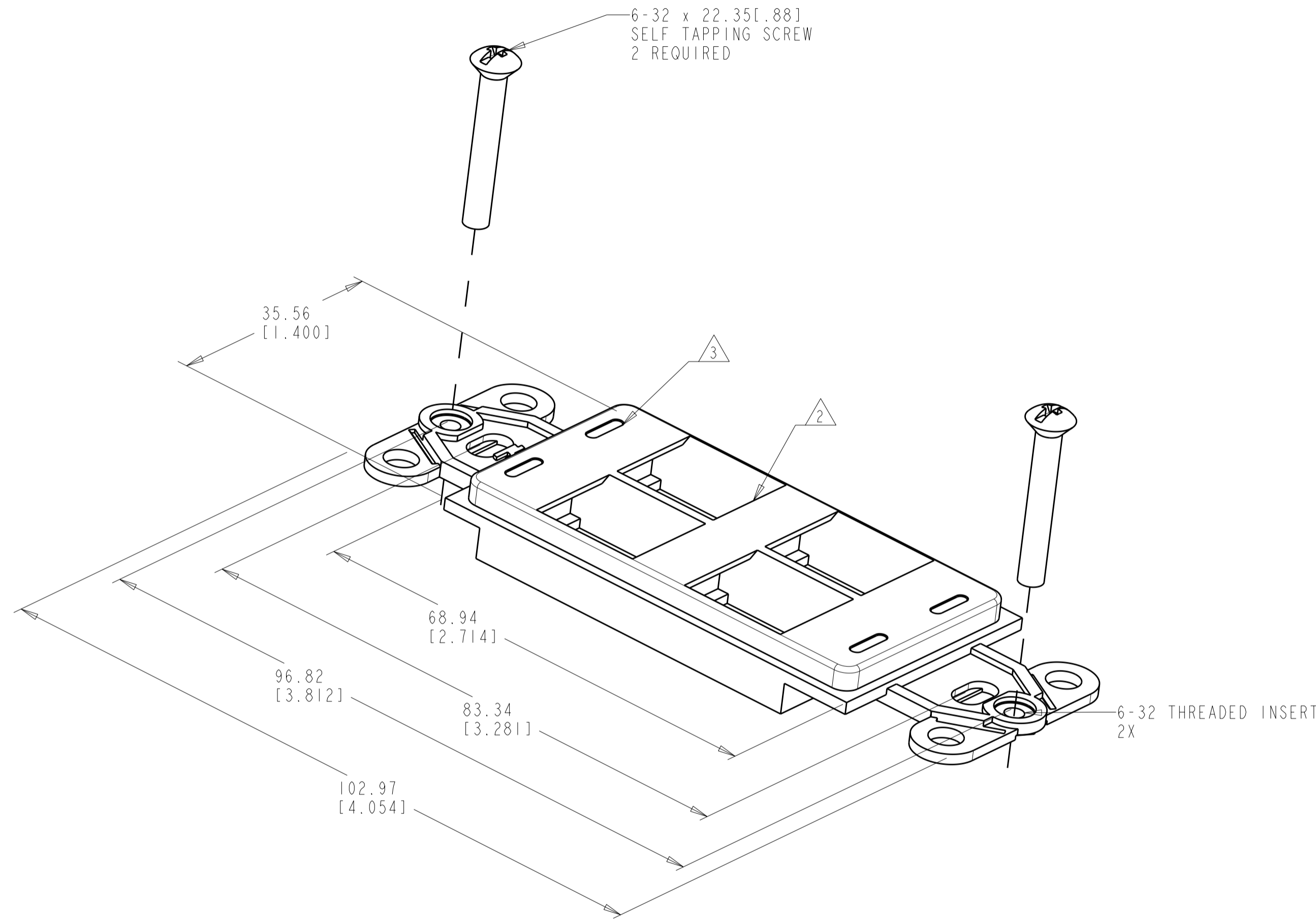


THIS DRAWING IS UNPUBLISHED. RELEASED FOR PUBLICATION 20  
 © COPYRIGHT 20 BY TYCO ELECTRONICS CORPORATION. ALL RIGHTS RESERVED.

LOC		DIST		REVISIONS			
P	LTR	DESCRIPTION	DATE	DWN	APVD		
	A	RLSD PER NSD 03-033	20JUN03	LH	GB		
	B	REV; ECO-09-018194	07AUG2009	JB	RA		



1. KIT SHIPPED WITH SCREWS NOT ASSEMBLED.
2. OPENINGS WILL ACCEPT AMP 110 CONNECT JACKS, SL SERIES JACKS, MT-RJ OUTLET JACKS AND 110 CONNECT OR SL SERIES MULTIMEDIA INSERTS.
3. SLOTS WILL ACCEPT AMP COLOR CODED ICONS.
4. DIMENSIONS ARE NOMINAL UNLESS OTHERWISE SPECIFIED.
5. MATERIAL: STRAP  
 ABS MOLDING COMPOUND. SEE TABLE FOR COLOR.  
 SCREWS - ZINC PLATED CARBON STEEL.  
 THREADED INSERT - STAINLESS STEEL.

ELECTRIC IVORY	1-1479504-1
NEMA GRAY	1479504-4
WHITE	1479504-3
BLACK	1479504-2
LT. ALMOND	1479504-1
COLOR	PART NO.

THIS DRAWING IS A CONTROLLED DOCUMENT FOR TYCO ELECTRONICS CORPORATION. IT IS SUBJECT TO CHANGE AND THE CONTROLLING ENGINEERING ORGANIZATION SHOULD BE CONTACTED FOR THE LATEST REVISION.		DWN L. HALL 20JUN03	AMP Incorporated Harrisburg, PA 17105-3608	
DIMENSIONS: MM [INCHES]		CHK G. BOWMAN 20JUN03	NAME KIT, MOUNTING STRAP, DECORATOR, 4 PORT	
TOLERANCES UNLESS OTHERWISE SPECIFIED: 0 PLC ± 1 PLC ± 2 PLC ± 3 PLC ± 4 PLC ± ANGLES ± FINISH		APVD G. BOWMAN 20JUN03	RESTRICTED TO	
MATERIAL 5		PRODUCT SPEC -	SIZE A2	CAGE CODE 00779
		APPLICATION SPEC -	DRAWING NO 1479504	REV B
		WEIGHT -	SCALE 2:1 SHEET 1 OF 1	
		CUSTOMER DRAWING		