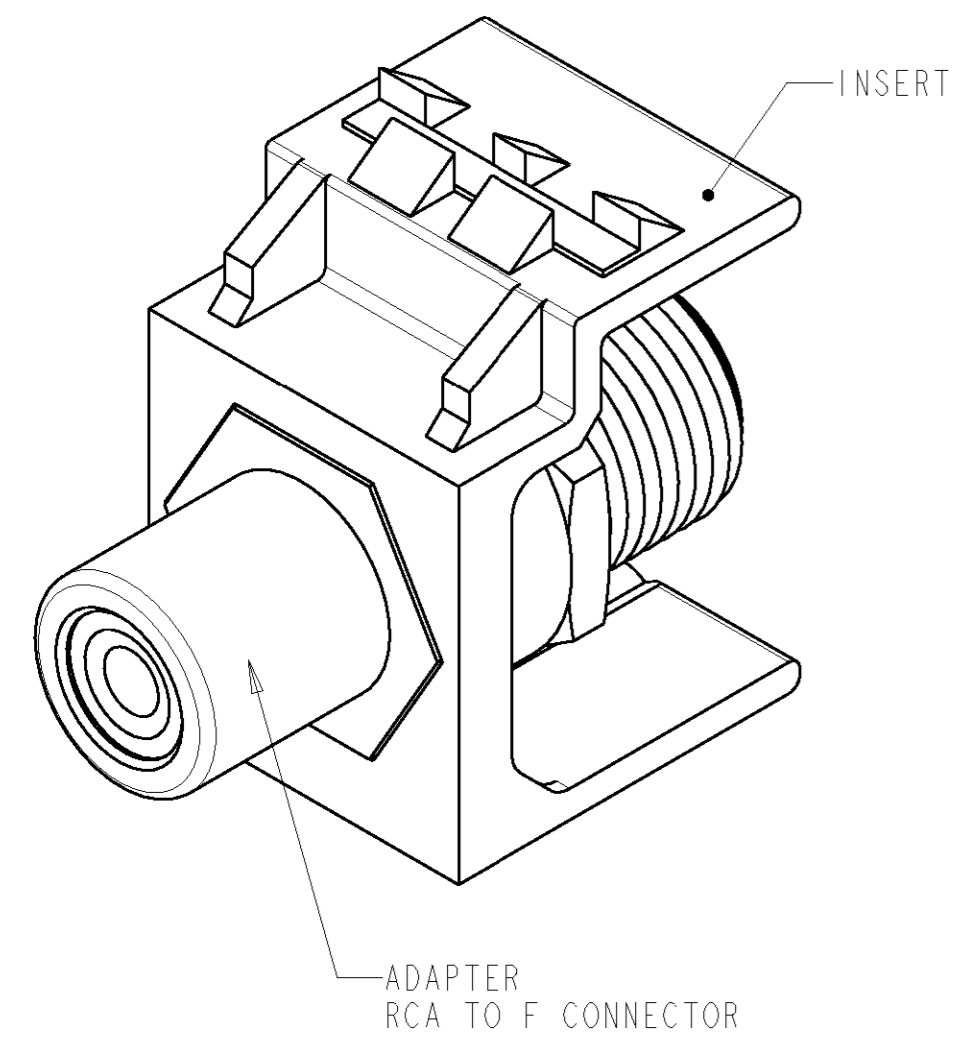
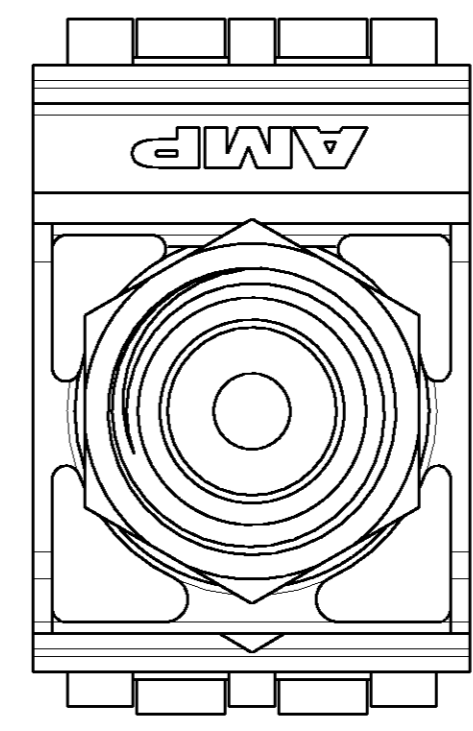
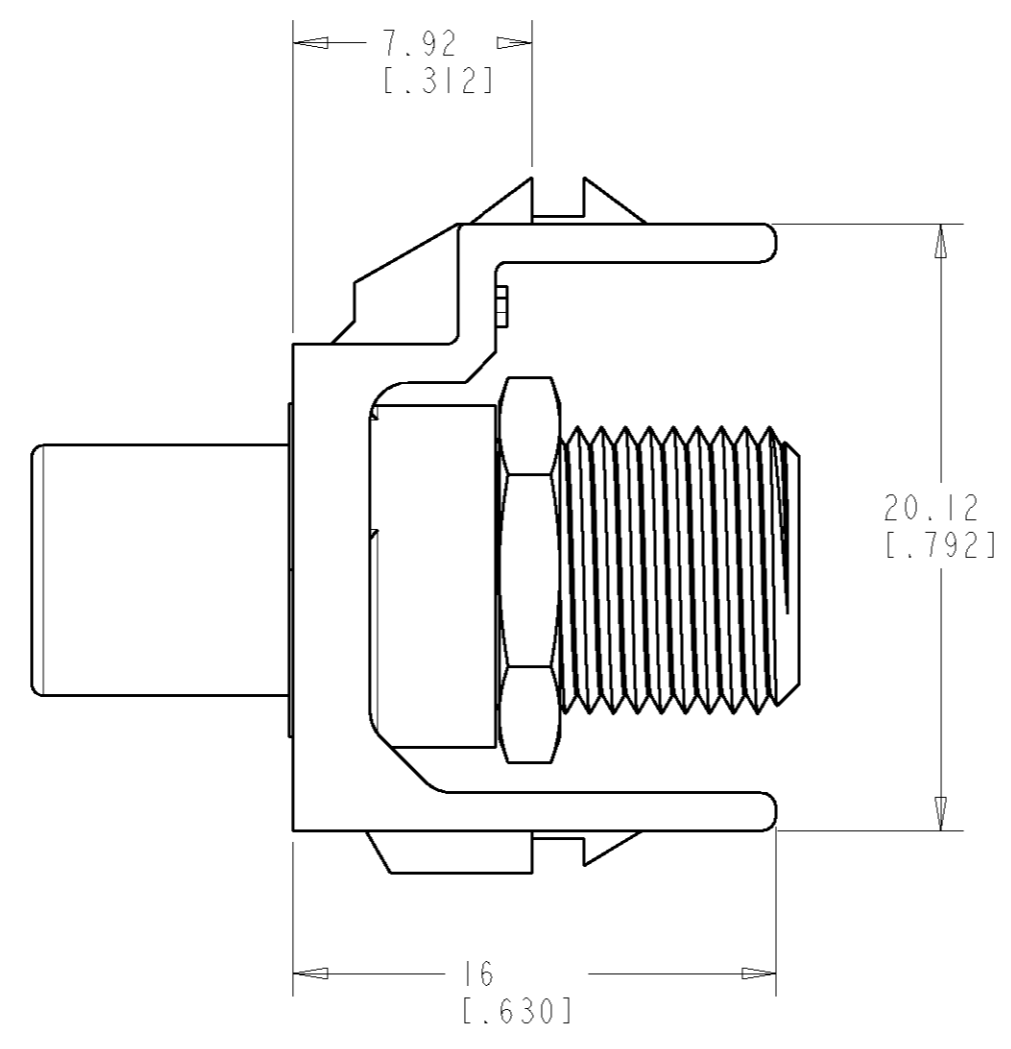
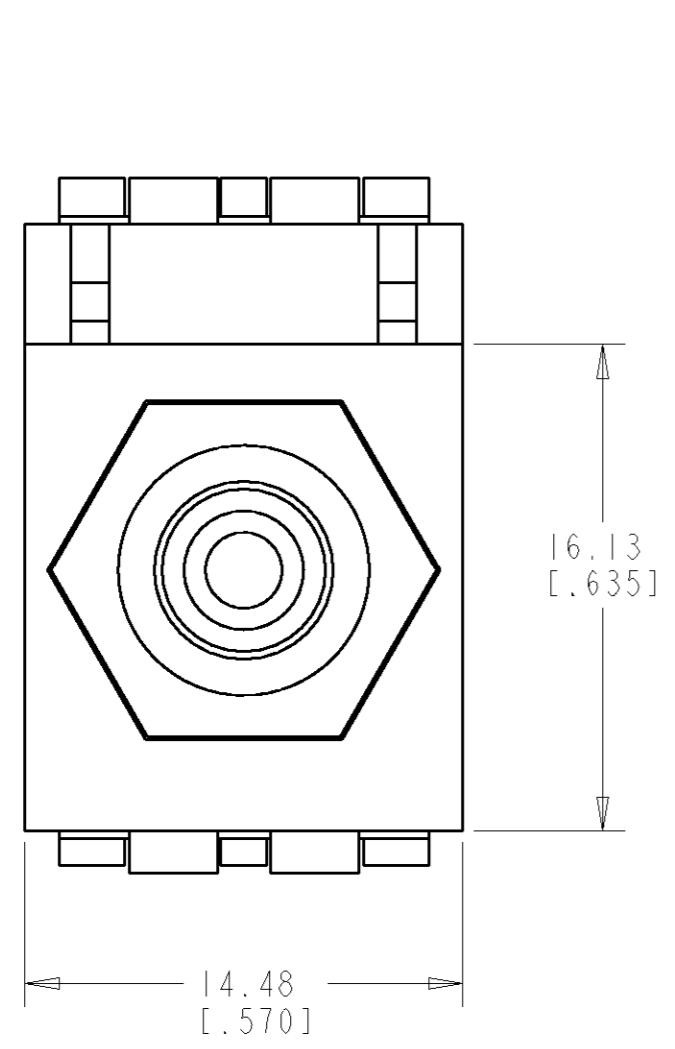


THIS DRAWING IS UNPUBLISHED. RELEASED FOR PUBLICATION
 © COPYRIGHT 20 BY TYCO ELECTRONICS CORPORATION. ALL RIGHTS RESERVED.

LOC	DIST	REVISIONS					
		P	LTR	DESCRIPTION	DATE	DWN	APVD
HM	00		A	NSD06-068	16JUN2006	JM	GB
			B	ECO-06-023865	06NOV2006	JM	GB



⚠ MATERIAL:
 INSERT: ABS MOLDING COMPOUND.
 SEE TABLE FOR COLOR.
 CONNECTOR: BRASS, NICKEL PLATED.



ELEC	IVORY	1-1933096-1
	GRAY	1933096-4
	WHITE	1933096-3
	BLACK	1933096-2
	LT ALMOND	1933096-1
	COLOR	PART NO

<small>THIS DRAWING IS A CONTROLLED DOCUMENT FOR TYCO ELECTRONICS CORPORATION. IT IS SUBJECT TO CHANGE AND THE CONTROLLING ENGINEERING ORGANIZATION SHOULD BE CONTACTED FOR THE LATEST REVISION.</small>		DWN J MCNEAL 16 JUN 2006 CHK G BOWMAN 16 JUN 2006 APVD G BOWMAN 16 JUN 2006	tyco Electronics Tyco Electronics Harrisburg, PA 17105-3608
DIMENSIONS: mm (INCHES)	TOLERANCES UNLESS OTHERWISE SPECIFIED: 0 PLC ± 1 PLC ± 2 PLC ±.13 [.005] 3 PLC ± 4 PLC ± ANGLES ± FINISH	NAME ASSY, INSERT, RCA TO F CONN, SL PRODUCT SPEC - APPLICATION SPEC - WEIGHT -	SIZE A2 CAGE CODE 00779 DRAWING NO C-1933096 RESTRICTED TO -
MATERIAL ⚠		CUSTOMER DRAWING SCALE 4:1 SHEET 1 OF 1 REV B	