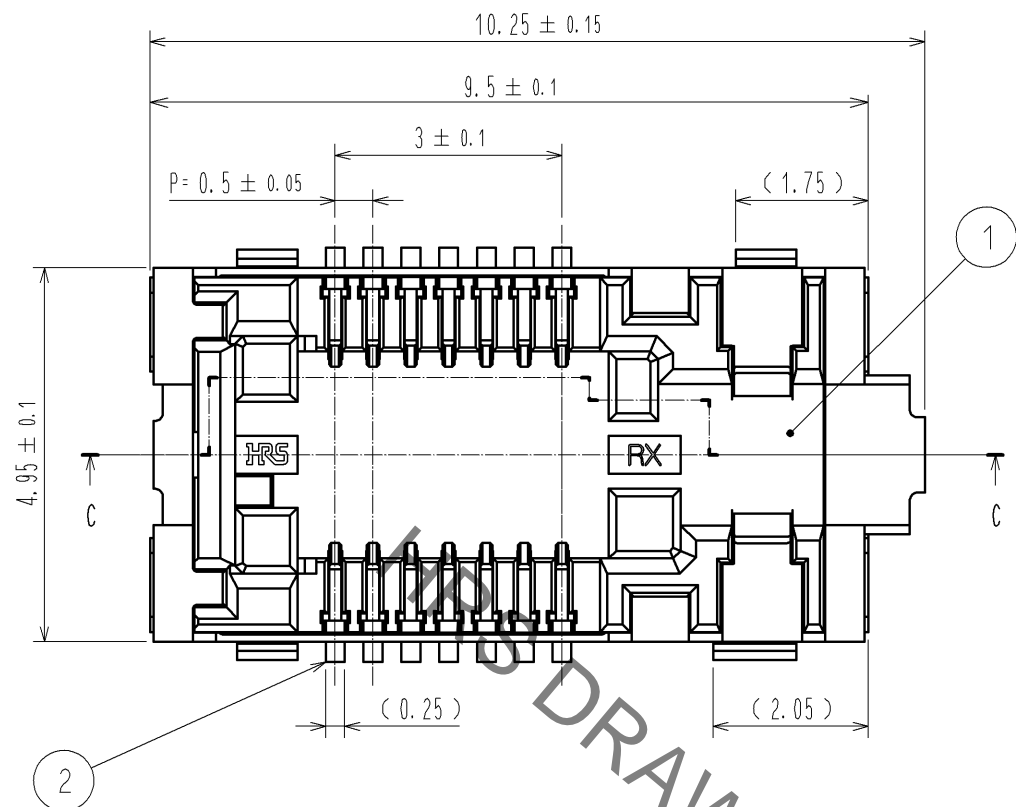


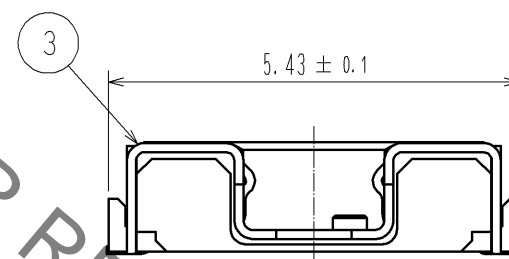
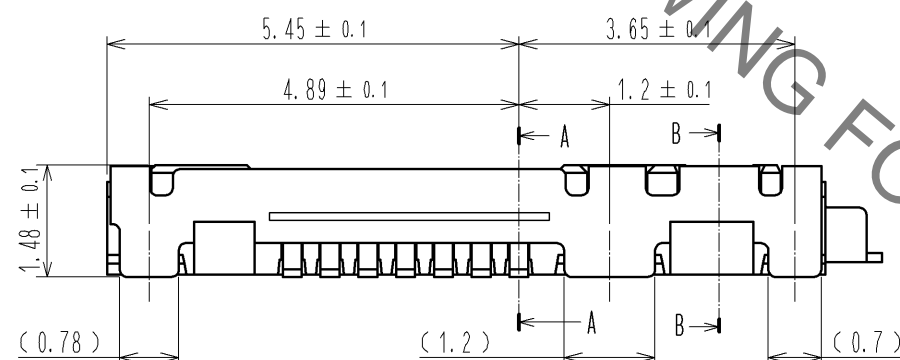
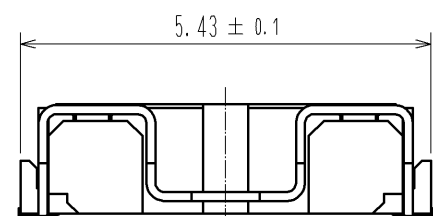
Aug.1.2020 Copyright 2020 HIROSE ELECTRIC CO., LTD. All Rights Reserved.
In case of consideration for using Automotive equipment / device which demand high reliability, kindly contact our sales window correspondents.



NOTE 1 All lead co-planarity shall be 0.1mm maximum.

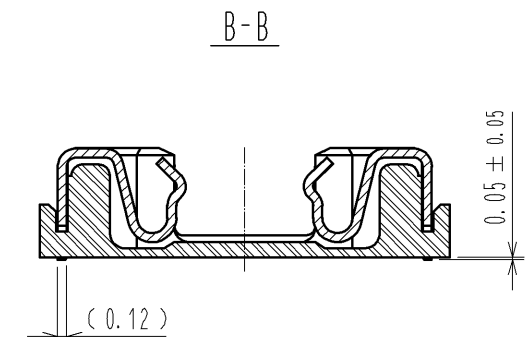
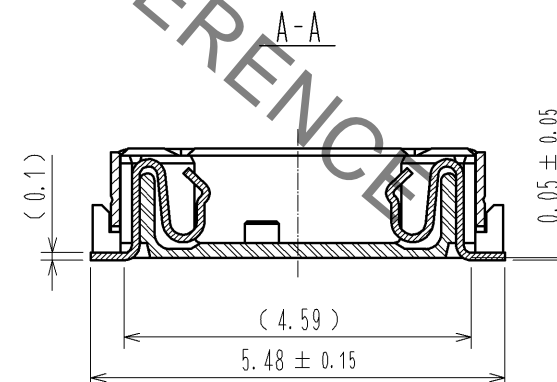
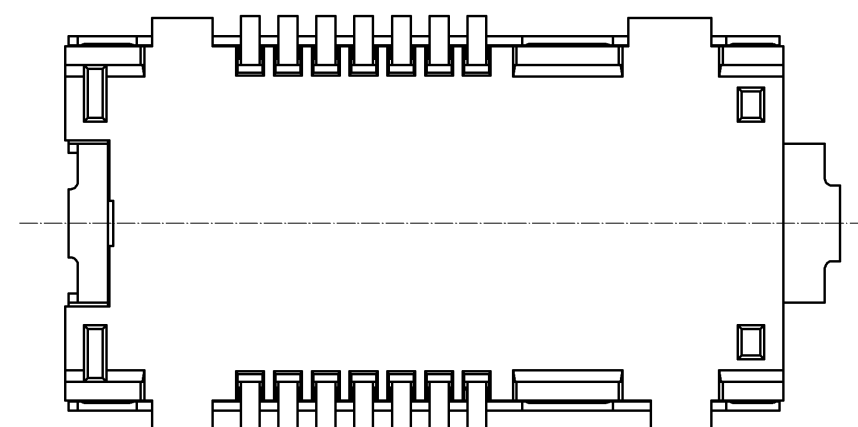
- ② Contact plating
 - Contact area :Gold 0.05um MIN
 - SMT lead :Gold 0.05um MIN
 - Under plating:Nickel 1um MIN

There shall be the nickel barrier between contact and SMT area.
- ③ Shell plating
 - All area :Gold 0.05um MIN
 - Under plating:Nickel 1um MIN 2um MAX
- ④ The peeling strength of cover tape shall comply with IEC 60286-3 (JIS C0806-3).
- ⑤ Embossed carrier tape has the sprocket hole on one side.
- ⑥ Recommended land pattern is shown. Please do not arrange the via without resist in the hatching part as shown in the figure.
- ⑦ The connector dimension when the plug engages is shown.
- ⑧ Please note that it becomes impossible to use standard extraction tool (BF4-T1) when other parts are in the crossing hatching part as shown in the figure.
- ⑨ Please layout the PCB pattern and fiber alignment, considering not to overload fiber. (Please see ETAD-K0398 about connector handling precautions.)
- ⑩ Pin assignment and functions are described in the specification of BF4M plug connector (ETAD-K0485)
- ⑪ Please see drawing EDC3-178304-10 for 10pcs packing product BF4-RX-14DS-0.5V(10).



Part No. & Code No. corresponding to the quantity

Quantity	Part No.	Code No.
500 pcs.	BF4-RX-14DS-0.5V	CL0831-0009-9-00
1,000 pcs.	BF4-RX-14DS-0.5V(01)	CL0831-0009-9-01
2,000 pcs.	BF4-RX-14DS-0.5V(02)	CL0831-0009-9-02
⑪ 10 pcs.	BF4-RX-14DS-0.5V(10)	CL0831-0009-9-10
③ 100 pcs.	BF4-RX-14DS-0.5V(11)	CL0831-0009-9-11



NO.	MATERIAL	FINISH	REMARKS	NO.	MATERIAL	FINISH	REMARKS
3	Phosphor Bronze	③		6	PS		BLACK (Plastic reel)
2	Phosphor Bronze	②		5	POLYESTER		CLEAR (Cover tape)
1	LCP		UL94 V-0	4	PS		CLEAR (Embossed carrier tape)

UNITS	SCALE	COUNT	DESCRIPTION OF REVISIONS	DESIGNED	CHECKED	DATE
mm	10 : 1	③ 1	DIS-K-003044	KS. JOKURA	SJ. SHIMIZU	13.08.23

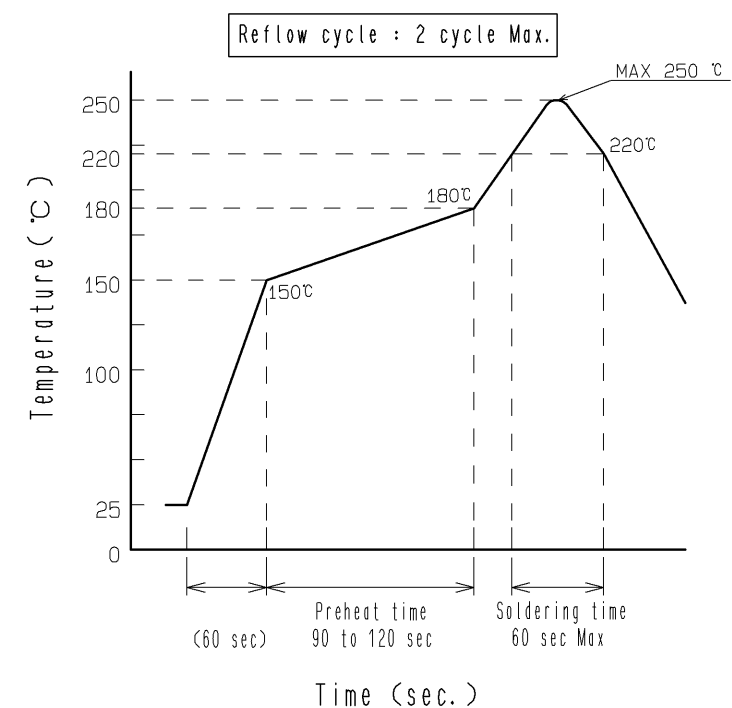
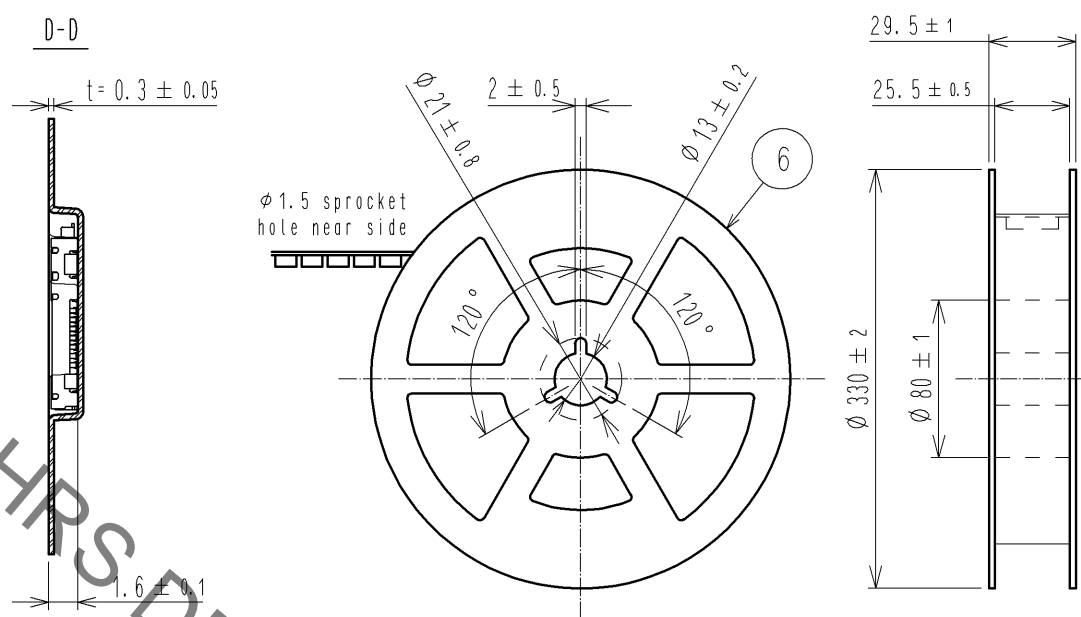
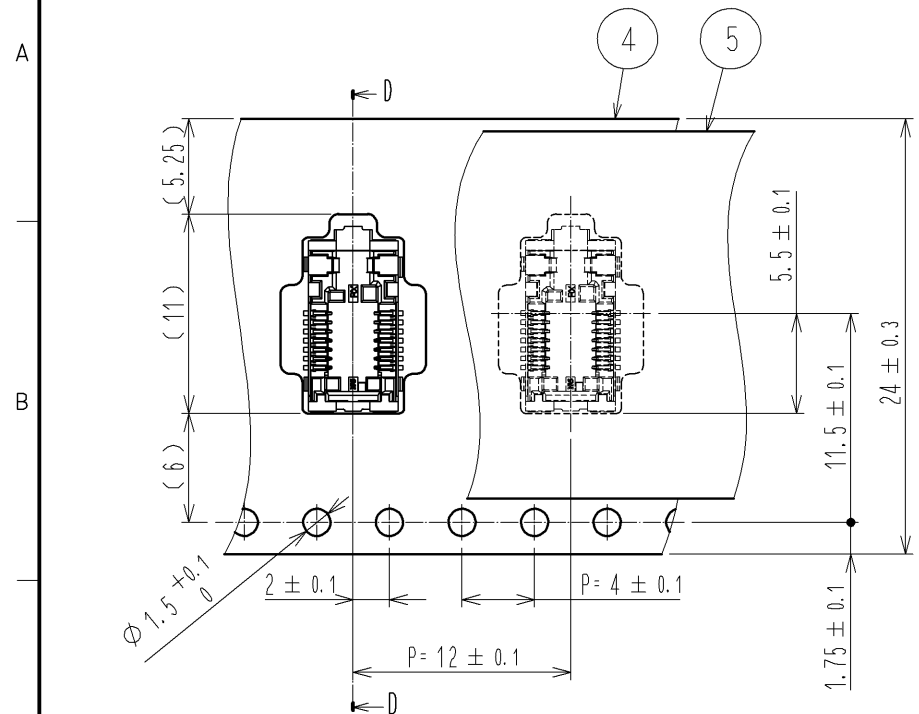
APPROVED	DATE	DRAWING NO.
MT. SHIBUTANI	12.11.15	EDC3-178302-00
CHECKED	DATE	PART NO.
SJ. SHIMIZU	12.11.15	BF4-RX-14DS-0.5V(**)
DESIGNED	DATE	CODE NO.
KS. JOKURA	12.11.15	
DRAWN	DATE	
KS. JOKURA	12.11.15	

Aug.1.2020 Copyright 2020 HIROSE ELECTRIC CO., LTD. All Rights Reserved.
 In case of consideration for using Automotive equipment / device which demand high reliability, kindly contact our sales window correspondents.

Dimensions of embossed carrier tape (Scale : FREE)

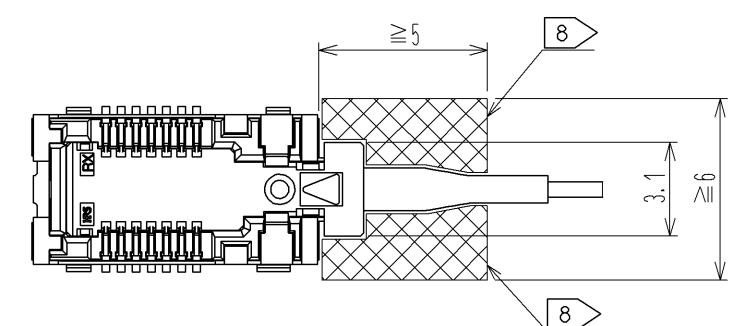
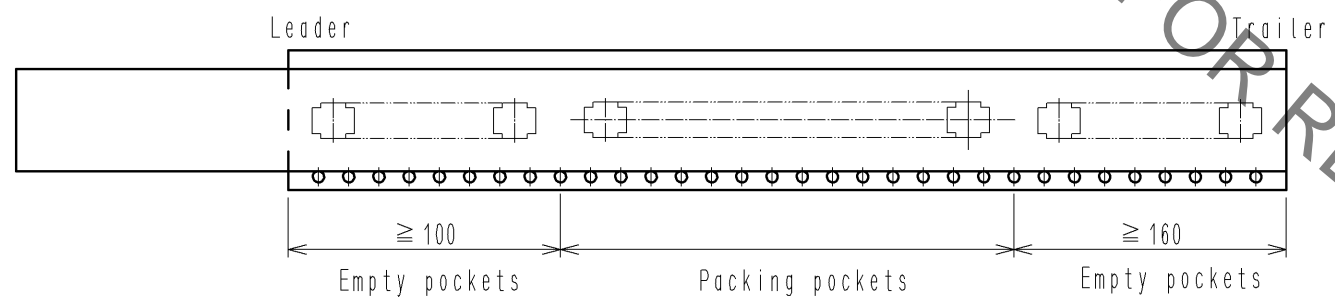
Packing reel (Scale : FREE)

Recommended reflow temperature profile using Lead-Free solder paste.



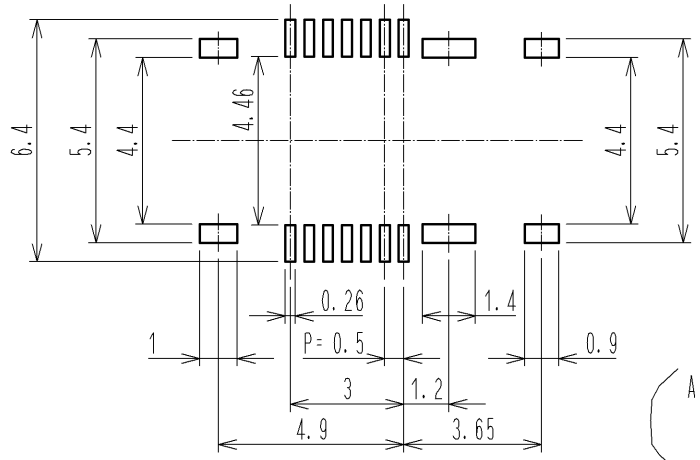
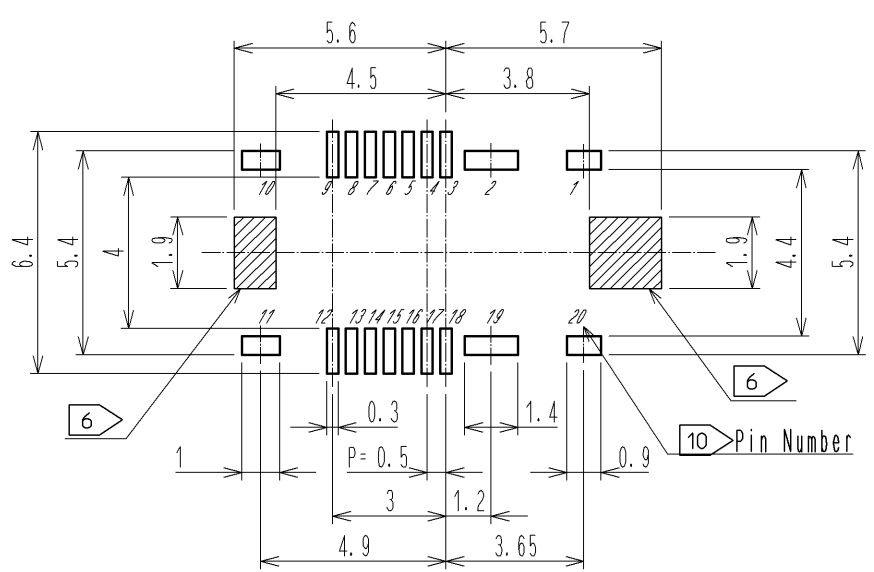
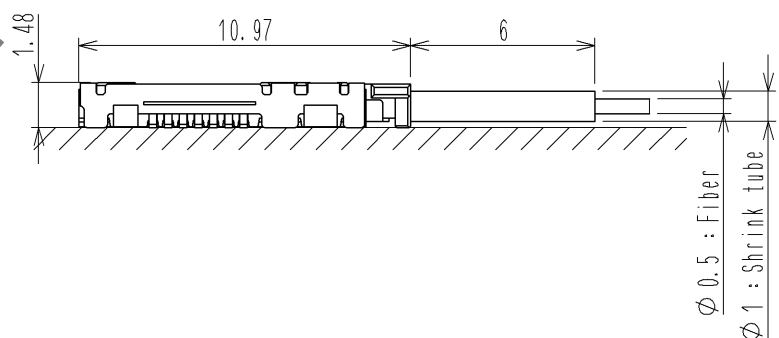
Taping direction (Scale : FREE)

Dimensions of engaged connector (Scale:FREE)



Recommended PCB land pattern

Recommended metal mask dimensions (Mask thickness : 120µm)



Aperture ratio
 Pads mounted contacts : 70%
 Pads mounted shell : 100%

HRS	DRAWING NO.	EDC3-178302-00
	PART NO.	BF4-RX-14DS-0.5V(**)
	CODE NO.	

3/2/2