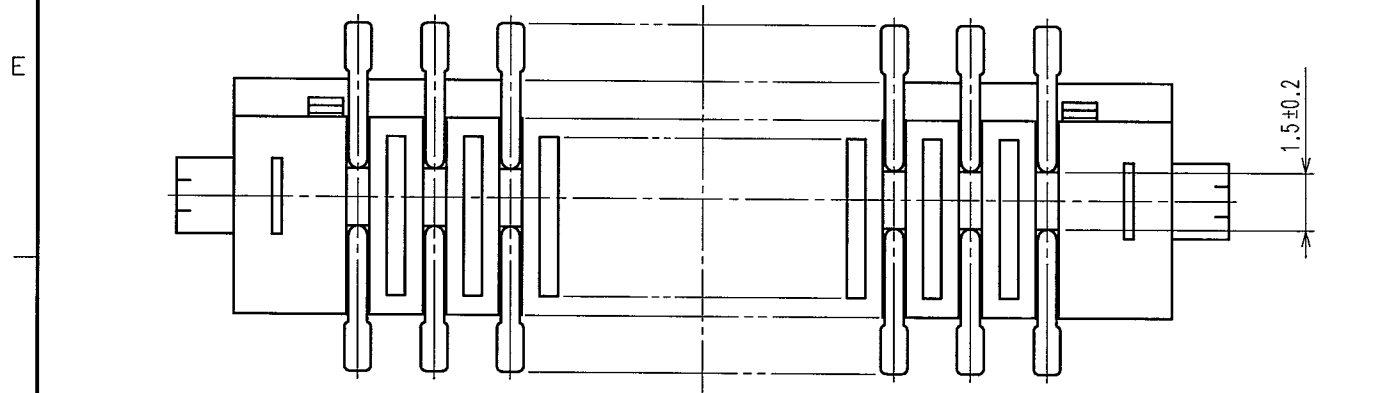
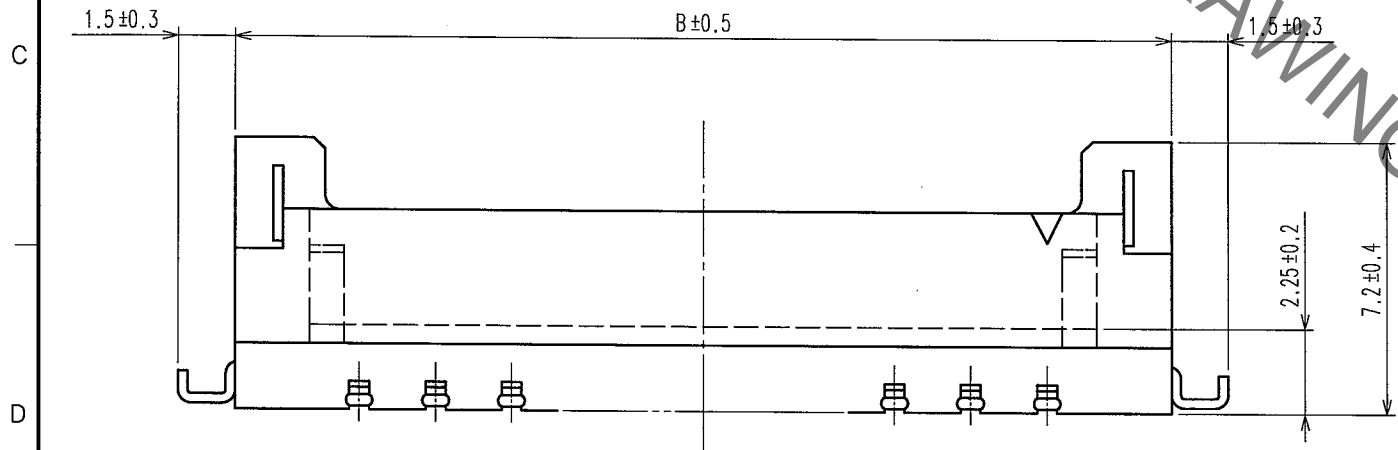
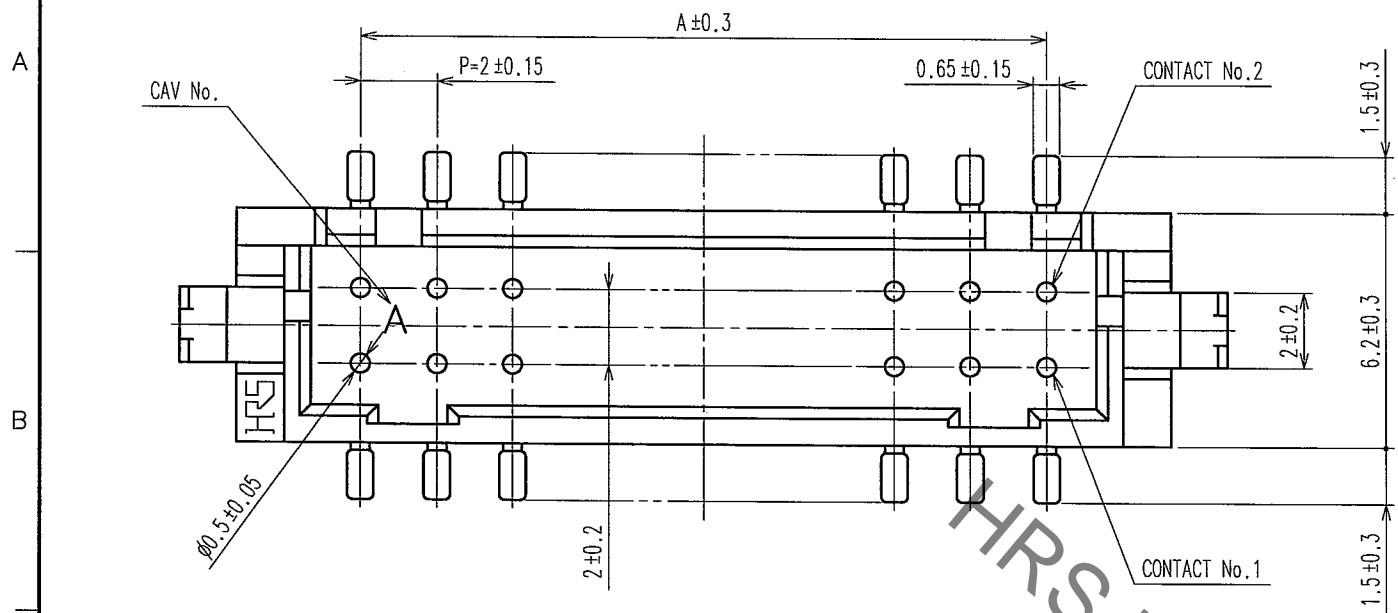
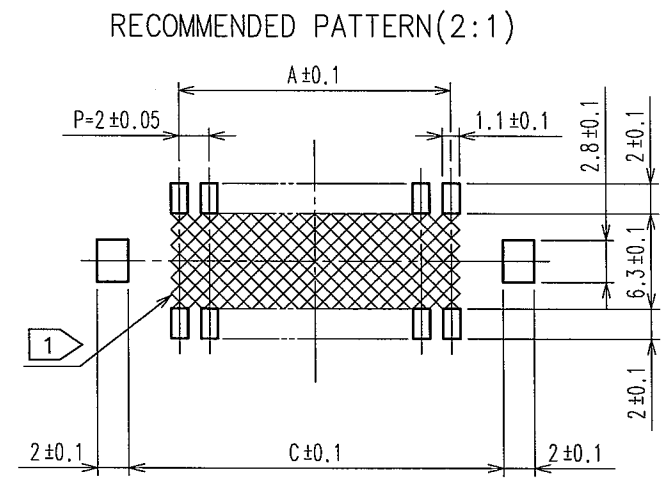
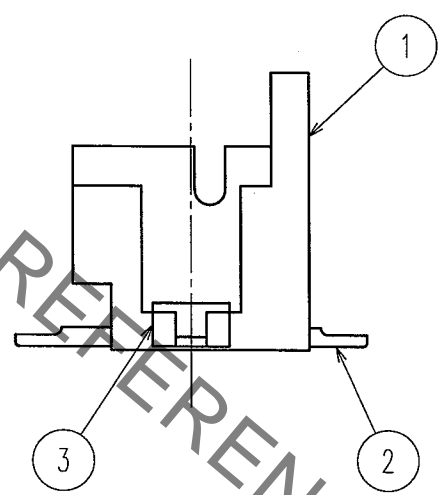


Aug.1.2020 Copyright 2020 HIROSE ELECTRIC CO., LTD. All Rights Reserved.
In case of consideration for using Automotive equipment / device which demand high reliability, kindly contact our sales window correspondents.

COUNT	DESCRIPTION OF REVISIONS	BY	CHKD	DATE	COUNT	DESCRIPTION OF REVISIONS	BY	CHKD	DATE
3	DIS-H-002465	T.O	H.U	'07.09.25					



CODE No.	PART No.	NUMBER OF CONTACT	A	B	C
CL543-2047-4-27	DF11CZ- 4DP-2V(27)	4	2	8.5	8.7
CL543-2048-7-27	DF11CZ- 6DP-2V(27)	6	4	10.5	10.7
CL543-2049-0-27	DF11CZ- 8DP-2V(27)	8	6	12.5	12.7
CL543-2050-9-27	DF11CZ-10DP-2V(27)	10	8	14.5	14.7
CL543-2051-1-27	DF11CZ-12DP-2V(27)	12	10	16.5	16.7
CL543-2052-4-27	DF11CZ-14DP-2V(27)	14	12	18.5	18.7
CL543-2053-7-27	DF11CZ-16DP-2V(27)	16	14	20.5	20.7
CL543-2054-0-27	DF11CZ-18DP-2V(27)	18	16	22.5	22.7
CL543-2055-2-27	DF11CZ-20DP-2V(27)	20	18	24.5	24.7
CL543-2056-5-27	DF11CZ-22DP-2V(27)	22	20	26.5	26.7
CL543-2057-8-27	DF11CZ-24DP-2V(27)	24	22	28.5	28.7
CL543-2058-0-27	DF11CZ-26DP-2V(27)	26	24	30.5	30.7
CL543-2059-3-27	DF11CZ-28DP-2V(27)	28	26	32.5	32.7
CL543-2060-2-27	DF11CZ-30DP-2V(27)	30	28	34.5	34.7
CL543-2061-5-27	DF11CZ-32DP-2V(27)	32	30	36.5	36.7
CL543-2062-8-27	DF11CZ-40DP-2V(27)	40	38	44.5	44.7



NOTES 1 IF THERE IS PATTERN ON PART, THERE IS A POSSIBILITY THAT IT WILL MAKE CONTACT WITH THE LEADS.
2 LEAD CO-PLANARITY INCLUDE REINFORCED METAL FITTINGS SHALL BE 0.1mm MAX.

2	BRASS	SURFACE:TIN PLATED 1μ m min UNDER PLATING:NICKEL PLATED 0.5μ m min	6	POLYESTER	CLEAR(COVER TAPE)
1	POLYAMIDE	UL94V-0,NATURAL (BEIGE)	5	6 J	CLEAR(EMBOSSD CARRIER TAPE)
			4	POLYAMIDE	BLACK(ADSORPTIVE CAP)
			3	BRASS	TIN PLATED 1μ m min
NO.	MATERIAL	FINISH, REMARKS	NO.	MATERIAL	FINISH, REMARKS

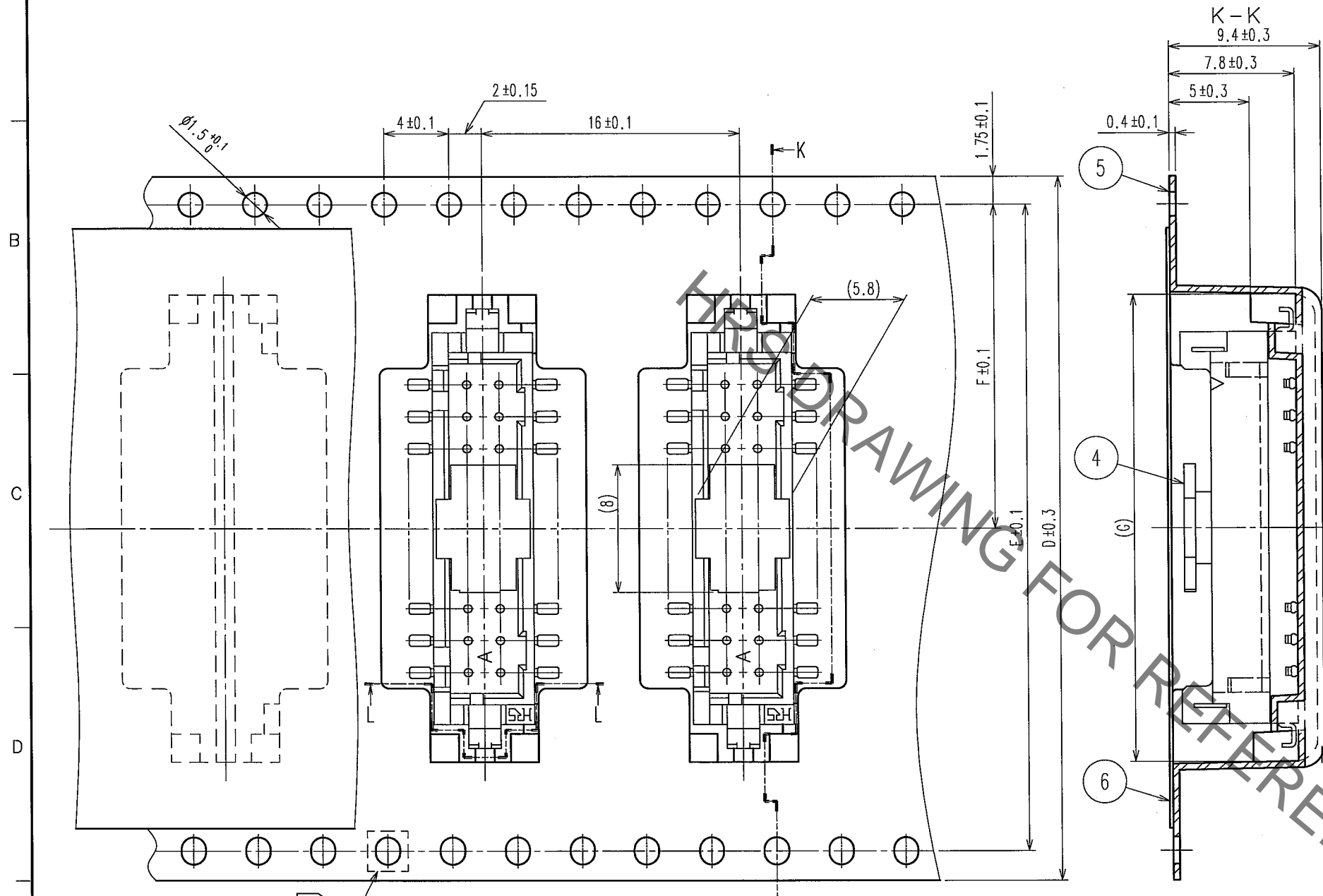
CODE NO. (OLD)	DRAWN	DESIGNED	CHECKED	APPROVED	RELEASED
	A.Miura	N.Hirose	H.Umehara	T.Oma	
	'06.04.06	'06.04.06	'06.04.06	'06.04.06	

SCALE	DRAWING NO.	PART NO.
5 : 1	EDC3-307176-02	DF11CZ-*DP-2V(27)
UNITS	HRS HIROSE ELECTRIC CO., LTD	CODE NO.
mm		CL543-

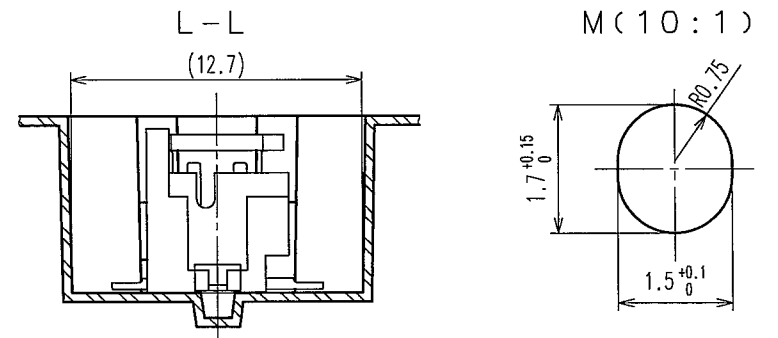


Aug.1.2020 Copyright 2020 HIROSE ELECTRIC CO., LTD. All Rights Reserved.
 In case of consideration for using Automotive equipment / device which demand high reliability, kindly contact our sales window correspondents.

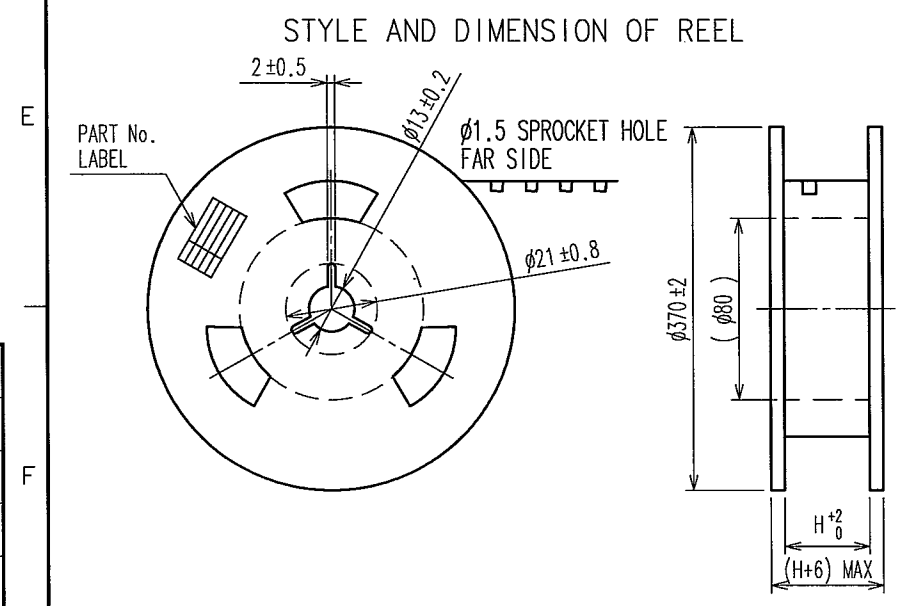
COUNT	DESCRIPTION OF REVISIONS	BY	CHKD	DATE	COUNT	DESCRIPTION OF REVISIONS	BY	CHKD	DATE



PART No.	NUMBER OF CONTACT	D	E	F	G	H	J
DF11CZ- 4DP-2V(27)	4	24.0	—	11.5	13.2	24.4	PS
DF11CZ- 6DP-2V(27)	6	24.0	—	11.5	15.2	24.4	A-PET
DF11CZ- 8DP-2V(27)	8	24.0	—	11.5	17.2	24.4	PS
DF11CZ-10DP-2V(27)	10	32.0	28.4	14.2	19.2	32.4	PS
DF11CZ-12DP-2V(27)	12	32.0	28.4	14.2	21.2	32.4	PS
DF11CZ-14DP-2V(27)	14	44.0	40.4	20.2	23.2	44.4	PS
DF11CZ-16DP-2V(27)	16	44.0	40.4	20.2	25.2	44.4	A-PET
DF11CZ-18DP-2V(27)	18	44.0	40.4	20.2	27.2	44.4	A-PET
DF11CZ-20DP-2V(27)	20	44.0	40.4	20.2	29.2	44.4	PS
DF11CZ-22DP-2V(27)	22	44.0	40.4	20.2	31.2	44.4	PS
DF11CZ-24DP-2V(27)	24	56.0	52.4	26.2	33.2	56.4	PS
DF11CZ-26DP-2V(27)	26	56.0	52.4	26.2	35.2	56.4	A-PET
DF11CZ-28DP-2V(27)	28	56.0	52.4	26.2	37.2	56.4	A-PET
DF11CZ-30DP-2V(27)	30	56.0	52.4	26.2	39.2	56.4	PS
DF11CZ-32DP-2V(27)	32	56.0	52.4	26.2	41.2	56.4	PS
DF11CZ-40DP-2V(27)	40	72.0	68.4	34.2	43.2	72.4	PS



- NOTES
- 3 1 REEL:500 CONNECTORS.
 - 4 AT THE BEGINNING OF THE REEL, 15 COMPONENTS SHALL BE EMPTY. AT THE END OF THE REEL, 10 COMPONENTS SHALL BE EMPTY.
 - 5 WHEN THE TAPE WIDTH IS 32,44 AND 56mm, SPROCKET HOLES SHALL BE SET ON BOTH SIDES OF REEL AS SHOWN ON THIS DRAWING.
 - 6 THE MATERIAL OF THE EMBOSSED CARRIER TAPE REFERS TO THE TABLE.
 - 7 DETAIL OF PART No. LABEL IS WRITTEN IN JAPANESE.
 - 8 THE REEL IS POLYETHYLENE PACKAGED WITH AN DRY AGENT INSIDE FOR MOISTURE-PROOF PACKAGING.
 - 9 FOR THE STORAGE OF 168 HOURS OR MORE AFTER OPENING THE PACKAGE, KEEP THE PRODUCTS UNDER MOISTURE PROOF CONDITIONS.
 - 10 EXCEPT ON THE MATING SURFACE, COMPONENT INFLATION DOES NOT AFFECT THE PRODUCTS PERFORMANCE.



SUPPLIER
 QUANTITY
 PART No.
 CODE No.
 DATE OF MANUFACTURED

7>DETAIL OF PART No. LABEL

生産月日	年月日
図番	CL543-****-27
品名	DF11CZ-*DP-2V(27)
納入数量	500 KO
納入者	ヒロセ電機株式会社

CODE NO. (OLD)	DRAWN	DESIGNED	CHECKED	APPROVED	RELEASED
	A.Miura	N.Hirose	H.Umehara	T.Oma	
	'06.04.06	'06.04.06	'06.04.06	'06.04.06	
DRAWING NO.	PART NO.				
EDC3-307176-02	DF11CZ-*DP-2V(27)				
SCALE FREE	CODE NO.				
UNITS mm	HRS HIROSE ELECTRIC CO., LTD		CL543-		
					2