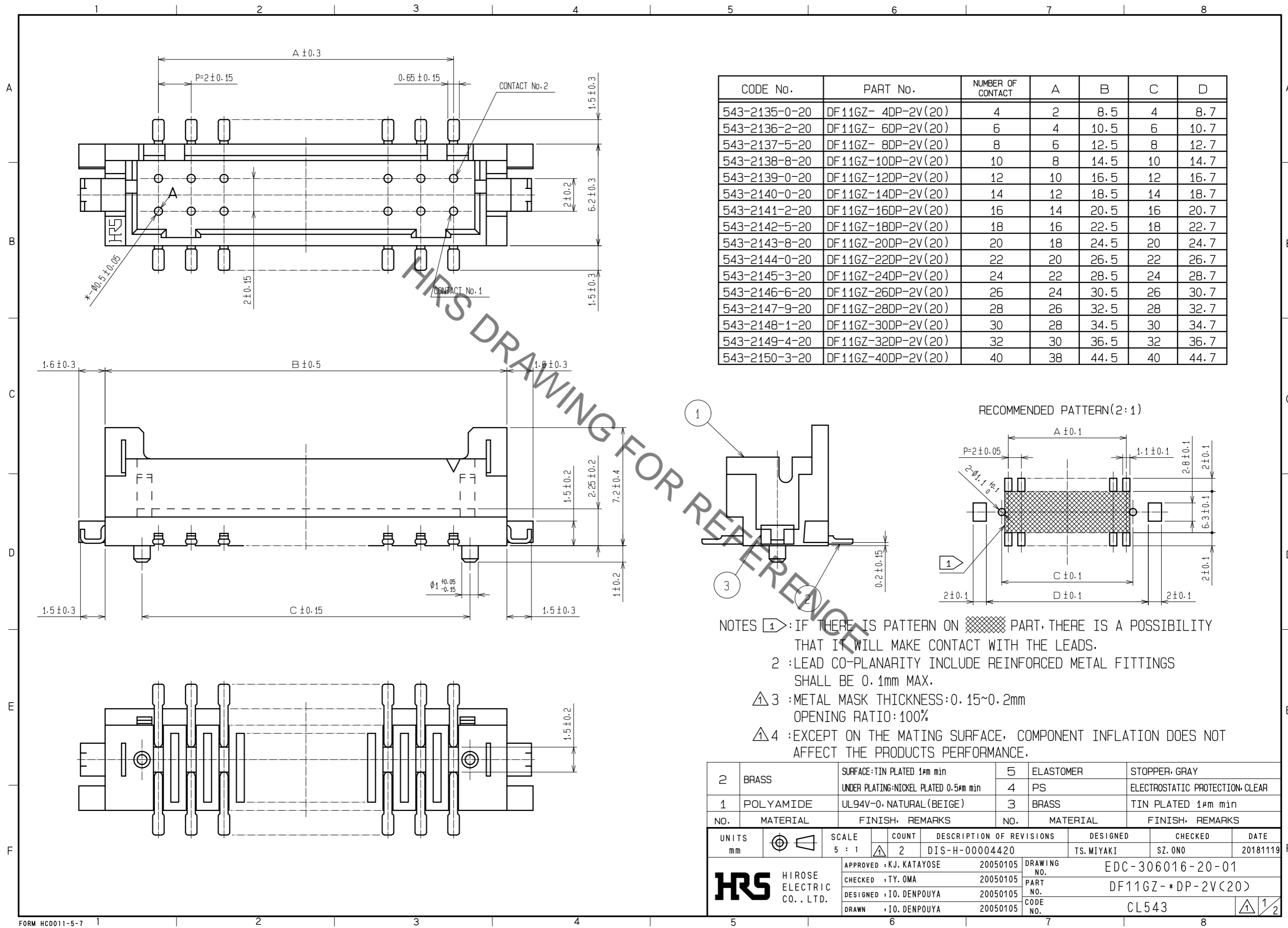
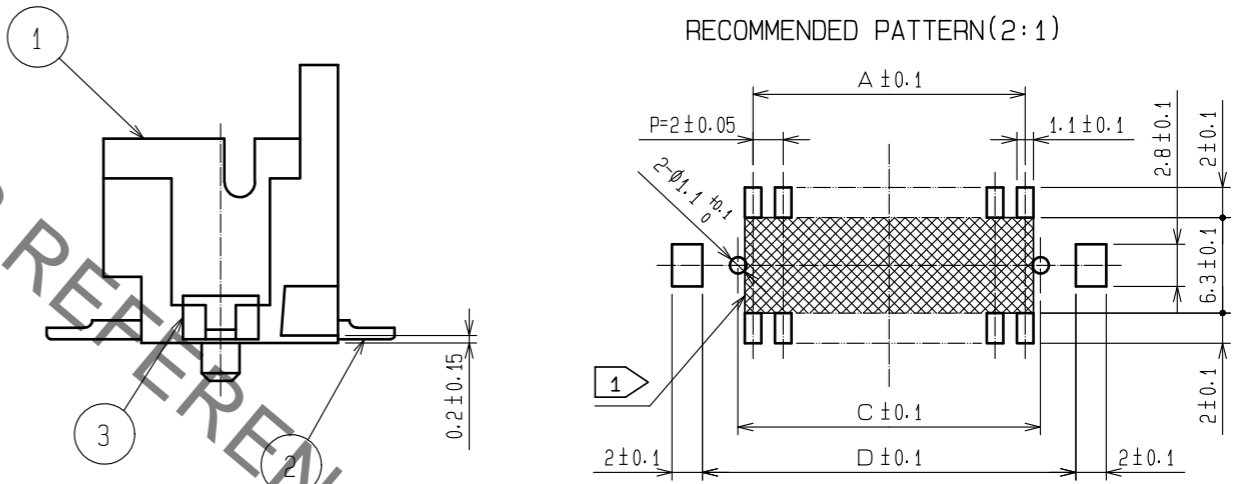


Sep.1.2020 Copyright 2020 HIROSE ELECTRIC CO., LTD. All Rights Reserved.
In case of consideration for using Automotive equipment / device which demand high reliability, kindly contact our sales window correspondents.



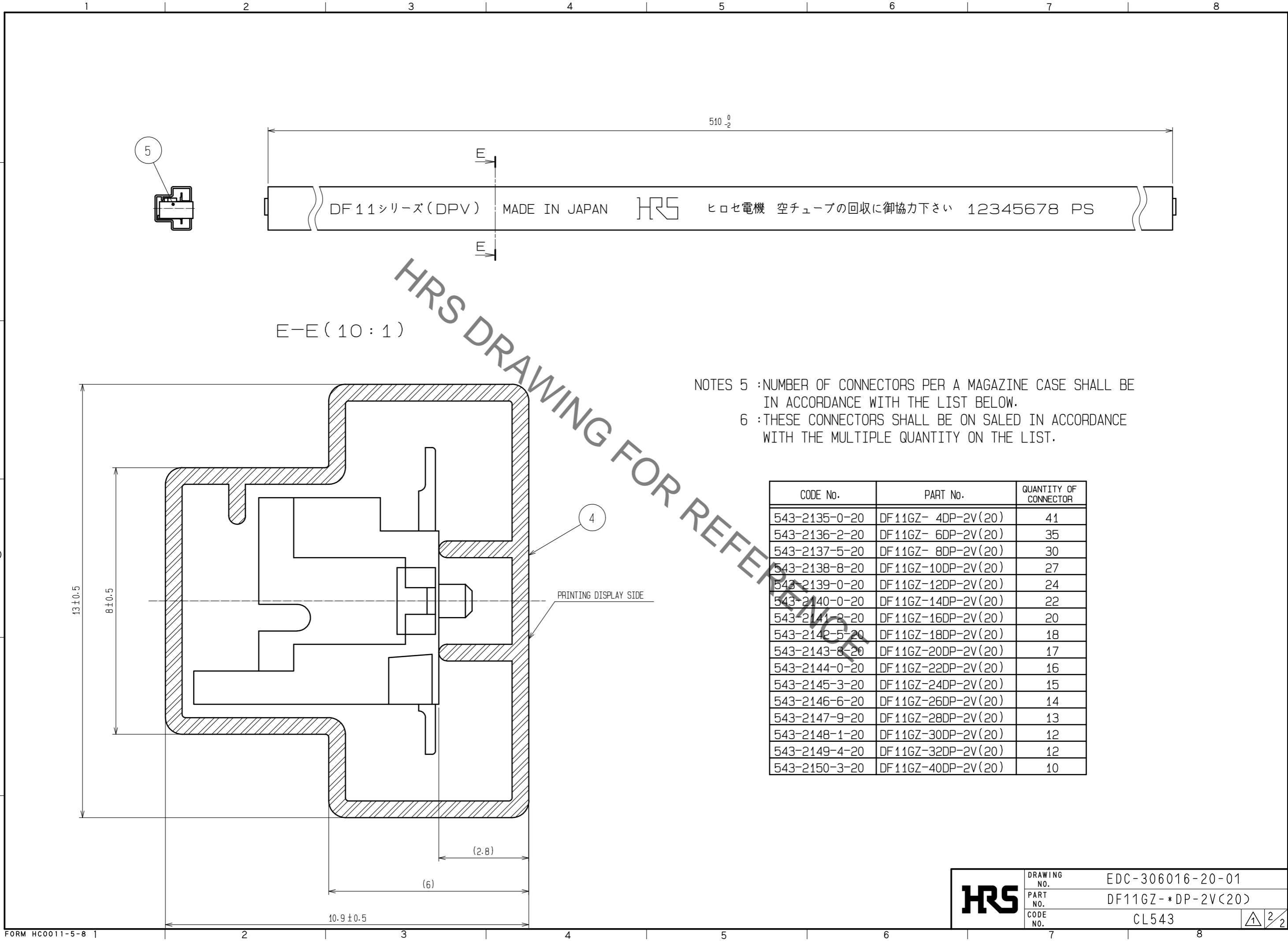
| CODE No. | PART No. | NUMBER OF CONTACT | A | B | C | D |
|---------------|--------------------|-------------------|----|------|----|------|
| 543-2135-0-20 | DF11GZ- 4DP-2V(20) | 4 | 2 | 8.5 | 4 | 8.7 |
| 543-2136-2-20 | DF11GZ- 6DP-2V(20) | 6 | 4 | 10.5 | 6 | 10.7 |
| 543-2137-5-20 | DF11GZ- 8DP-2V(20) | 8 | 6 | 12.5 | 8 | 12.7 |
| 543-2138-8-20 | DF11GZ-10DP-2V(20) | 10 | 8 | 14.5 | 10 | 14.7 |
| 543-2139-0-20 | DF11GZ-12DP-2V(20) | 12 | 10 | 16.5 | 12 | 16.7 |
| 543-2140-0-20 | DF11GZ-14DP-2V(20) | 14 | 12 | 18.5 | 14 | 18.7 |
| 543-2141-2-20 | DF11GZ-16DP-2V(20) | 16 | 14 | 20.5 | 16 | 20.7 |
| 543-2142-5-20 | DF11GZ-18DP-2V(20) | 18 | 16 | 22.5 | 18 | 22.7 |
| 543-2143-8-20 | DF11GZ-20DP-2V(20) | 20 | 18 | 24.5 | 20 | 24.7 |
| 543-2144-0-20 | DF11GZ-22DP-2V(20) | 22 | 20 | 26.5 | 22 | 26.7 |
| 543-2145-3-20 | DF11GZ-24DP-2V(20) | 24 | 22 | 28.5 | 24 | 28.7 |
| 543-2146-6-20 | DF11GZ-26DP-2V(20) | 26 | 24 | 30.5 | 26 | 30.7 |
| 543-2147-9-20 | DF11GZ-28DP-2V(20) | 28 | 26 | 32.5 | 28 | 32.7 |
| 543-2148-1-20 | DF11GZ-30DP-2V(20) | 30 | 28 | 34.5 | 30 | 34.7 |
| 543-2149-4-20 | DF11GZ-32DP-2V(20) | 32 | 30 | 36.5 | 32 | 36.7 |
| 543-2150-3-20 | DF11GZ-40DP-2V(20) | 40 | 38 | 44.5 | 40 | 44.7 |



- NOTES
- ① : IF THERE IS PATTERN ON PART, THERE IS A POSSIBILITY THAT IT WILL MAKE CONTACT WITH THE LEADS.
 - ② : LEAD CO-PLANARITY INCLUDE REINFORCED METAL FITTINGS SHALL BE 0.1mm MAX.
 - △③ : METAL MASK THICKNESS: 0.15~0.2mm
OPENING RATIO: 100%
 - △④ : EXCEPT ON THE MATING SURFACE, COMPONENT INFLATION DOES NOT AFFECT THE PRODUCTS PERFORMANCE.

| | | | | | | | |
|-------------------------|-----------|---|-------------|--------------------------|---------------------------------|---------|----------|
| 2 | BRASS | SURFACE:TIN PLATED 1μm min UNDER PLATING:NICKEL PLATED 0.5μm min | 5 | ELASTOMER | STOPPER, GRAY | | |
| 1 | POLYAMIDE | UL94V-0, NATURAL (BEIGE) | 4 | PS | ELECTROSTATIC PROTECTION, CLEAR | | |
| NO. | MATERIAL | FINISH, REMARKS | NO. | MATERIAL | FINISH, REMARKS | | |
| UNITS | mm | SCALE | COUNT | DESCRIPTION OF REVISIONS | DESIGNED | CHECKED | DATE |
| | | 5 : 1 | 2 | DIS-H-00004420 | TS.MIYAKI | SZ.ONO | 20181119 |
| APPROVED : KJ. KATAYOSE | | 20050105 | DRAWING NO. | | EDC-306016-20-01 | | |
| CHECKED : TY. OMA | | 20050105 | PART NO. | | DF11GZ- *DP-2V(20) | | |
| DESIGNED : IO. DENPOUYA | | 20050105 | CODE NO. | | CL543 | | |
| DRAWN : IO. DENPOUYA | | 20050105 | | | | | |

Sep.1.2020 Copyright 2020 HIROSE ELECTRIC CO., LTD. All Rights Reserved.
In case of consideration for using Automotive equipment / device which demand high reliability, kindly contact our sales window correspondents.



NOTES 5 : NUMBER OF CONNECTORS PER A MAGAZINE CASE SHALL BE IN ACCORDANCE WITH THE LIST BELOW.
6 : THESE CONNECTORS SHALL BE ON SALED IN ACCORDANCE WITH THE MULTIPLE QUANTITY ON THE LIST.

| CODE No. | PART No. | QUANTITY OF CONNECTOR |
|---------------|--------------------|-----------------------|
| 543-2135-0-20 | DF11GZ- 4DP-2V(20) | 41 |
| 543-2136-2-20 | DF11GZ- 6DP-2V(20) | 35 |
| 543-2137-5-20 | DF11GZ- 8DP-2V(20) | 30 |
| 543-2138-8-20 | DF11GZ-10DP-2V(20) | 27 |
| 543-2139-0-20 | DF11GZ-12DP-2V(20) | 24 |
| 543-2140-0-20 | DF11GZ-14DP-2V(20) | 22 |
| 543-2141-2-20 | DF11GZ-16DP-2V(20) | 20 |
| 543-2142-5-20 | DF11GZ-18DP-2V(20) | 18 |
| 543-2143-8-20 | DF11GZ-20DP-2V(20) | 17 |
| 543-2144-0-20 | DF11GZ-22DP-2V(20) | 16 |
| 543-2145-3-20 | DF11GZ-24DP-2V(20) | 15 |
| 543-2146-6-20 | DF11GZ-26DP-2V(20) | 14 |
| 543-2147-9-20 | DF11GZ-28DP-2V(20) | 13 |
| 543-2148-1-20 | DF11GZ-30DP-2V(20) | 12 |
| 543-2149-4-20 | DF11GZ-32DP-2V(20) | 12 |
| 543-2150-3-20 | DF11GZ-40DP-2V(20) | 10 |

| | | |
|------------|-------------|-------------------|
| HRS | DRAWING NO. | EDC-306016-20-01 |
| | PART NO. | DF11GZ-*DP-2V(20) |
| | CODE NO. | CL543 |

2 / 2