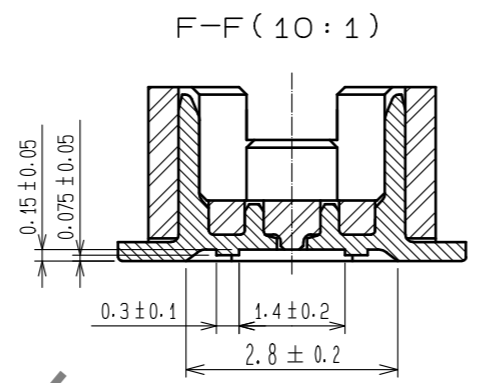
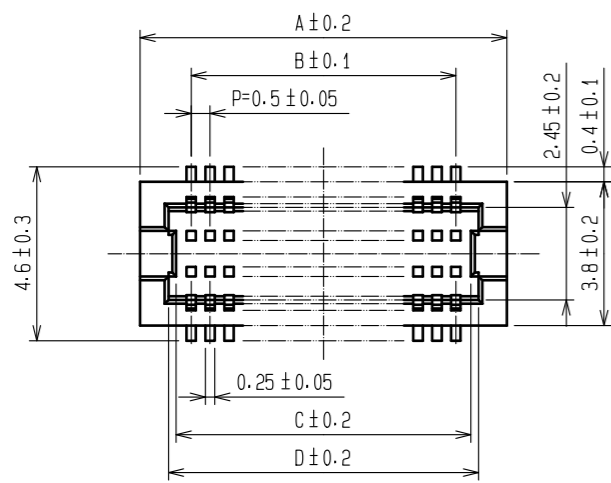
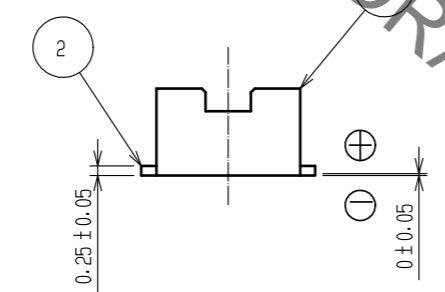
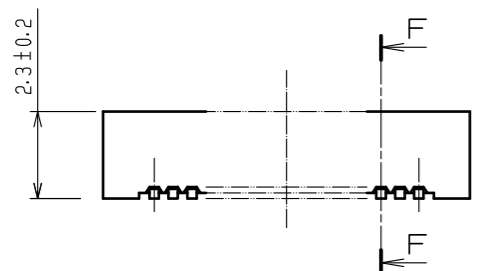


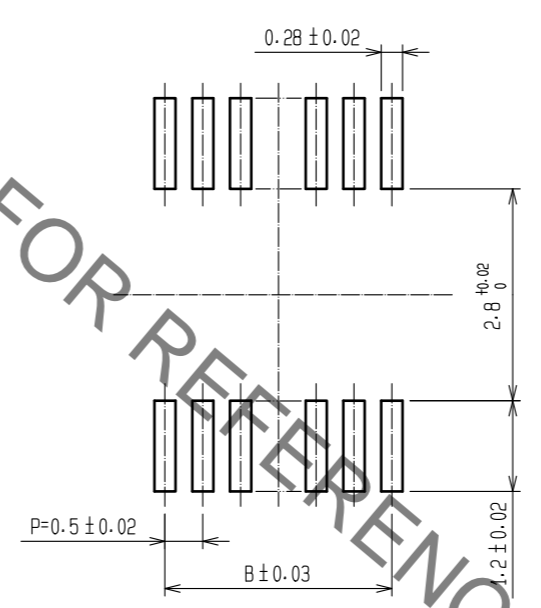
Sep.1.2020 Copyright 2020 HIROSE ELECTRIC CO., LTD. All Rights Reserved.
In case of consideration for using Automotive equipment / device which demand high reliability, kindly contact our sales window correspondents.



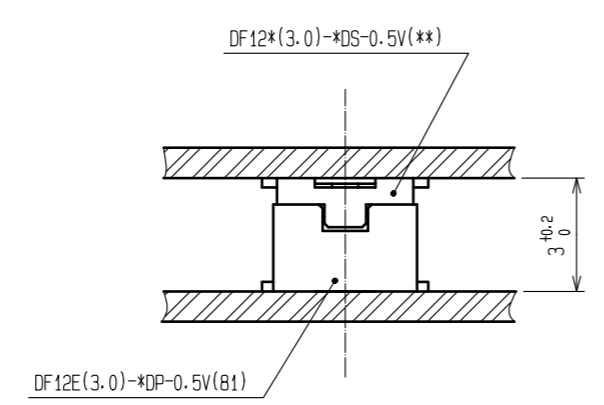
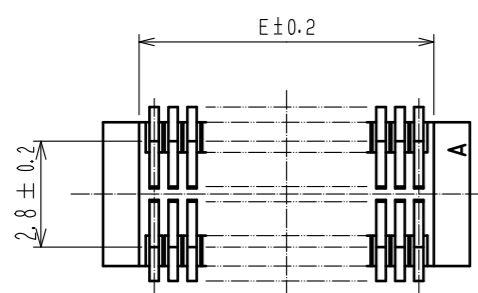
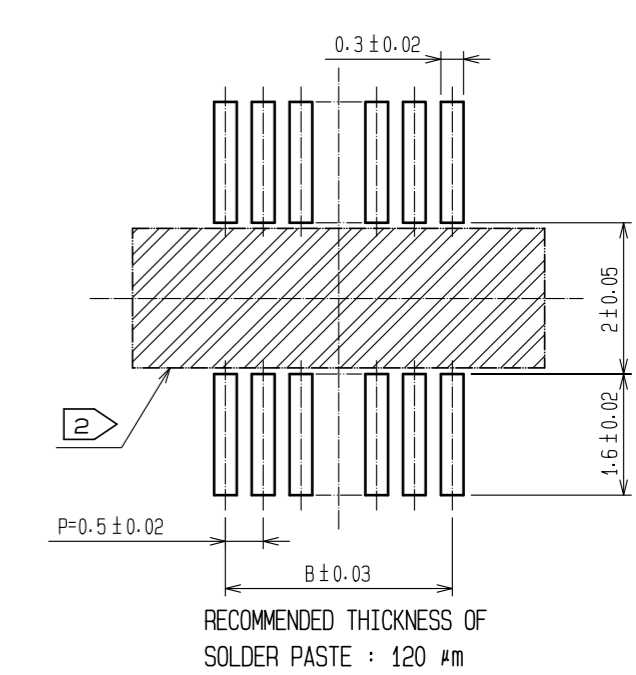
CODE No.	CONTACT	A	B	C	D	E
CL537-0826-8-81	10	4.7	2.0	2.8	3.2	2.8
CL537-0921-9-81	14	5.7	3.0	3.8	4.2	3.8
CL537-0828-3-81	20	7.2	4.5	5.3	5.7	5.3
CL537-0830-5-81	30	9.7	7.0	7.8	8.2	7.8
CL537-0837-4-81	32	10.2	7.5	8.3	8.7	8.3
CL537-0831-8-81	36	11.2	8.5	9.3	9.7	9.3
CL537-0832-0-81	40	12.2	9.5	10.3	10.7	10.3
CL537-0834-6-81	50	14.7	12.0	12.8	13.2	12.8
CL537-0836-1-81	60	17.2	14.5	15.3	15.7	15.3
CL537-0838-7-81	80	22.2	19.5	20.3	20.7	20.3



RECOMMEND METAL MASK PATTERN (10:1)



RECOMMENDED LAND PATTERN (10:1)



NOTES 1 LEAD CO-PLANARITY SHALL BE 0.08 mm MAX.
2 IF THERE IS PATTERN ON PART, THERE IS A POSSIBILITY THAT IT WILL MAKE CONTACT WITH THE LEADS.

NO.	MATERIAL	FINISH . REMARKS	NO.	MATERIAL	FINISH . REMARKS
2	PHOSPHOR BRONZE	CONTACT AREA:GOLD PLATED 0.2μm min LEAD AREA:GOLD PLATED 0.015μm min OTHERS(UNDER PLATING):NICKEL PLATED 2μm min	6	PS	CLEAR (REINFORCEMENT COLLAR)
			5	PS	BLACK (PLASTIC REEL)
			4	POLYESTER	CLEAR (COVER TAPE)
1	POLYAMIDE	UL94V-0, NATURAL (BEIGE)	3	PS	CLEAR (EMBOSSED CARRIER TAPE)

UNITS	SCALE	COUNT	DESCRIPTION OF REVISIONS	DESIGNED	CHECKED	DATE
mm	5 : 1	△				

APPROVED	: WR. FUKUCHI	20190409	DRAWING NO.	EDC-160394-81-78
CHECED	: WR. FUKUCHI	20190409	PART NO.	DF12E(3.0)-*DP-0.5V(81)
DESIGNED	: KT. KUSAKA	20190409	CODE NO.	CL537
DRAWN	: RN. IIDA	20190409		

