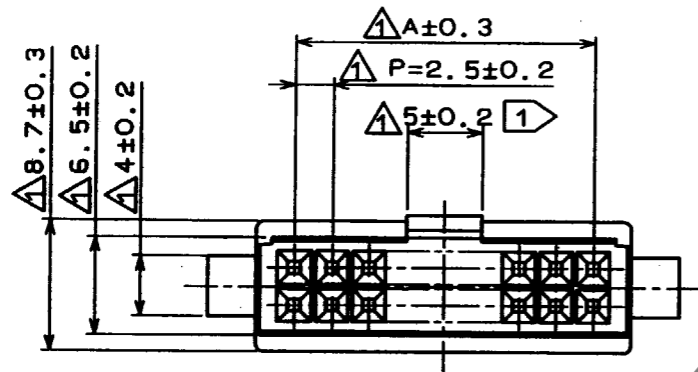
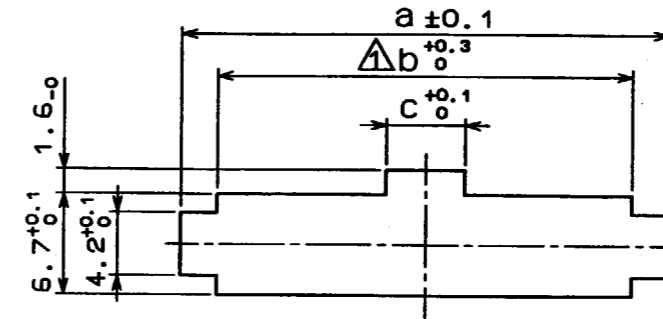


Aug.1.2020 Copyright 2020 HIROSE ELECTRIC CO., LTD. All Rights Reserved.
In case of consideration for using Automotive equipment / device which demand high reliability, kindly contact our sales-window correspondents.

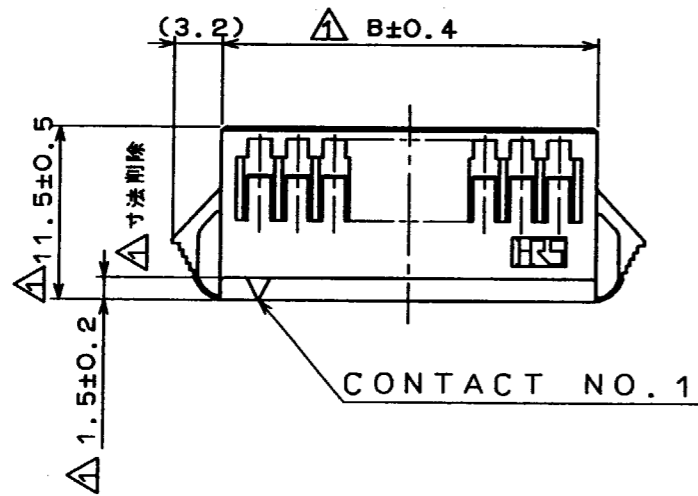
COUNT	DESCRIPTION OF REVISIONS	BY	CHKD	DATE	COUNT	DESCRIPTION OF REVISIONS	BY	CHKD	DATE
12	RE-H-1698	R.S	T.O	96.2.8					



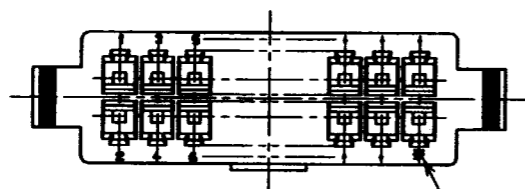
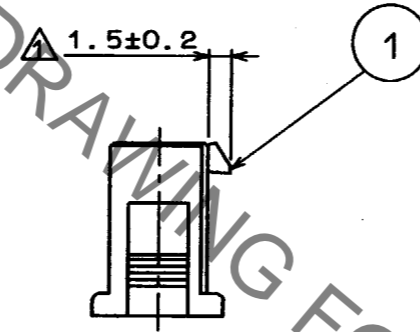
< PANEL CUTOUT >



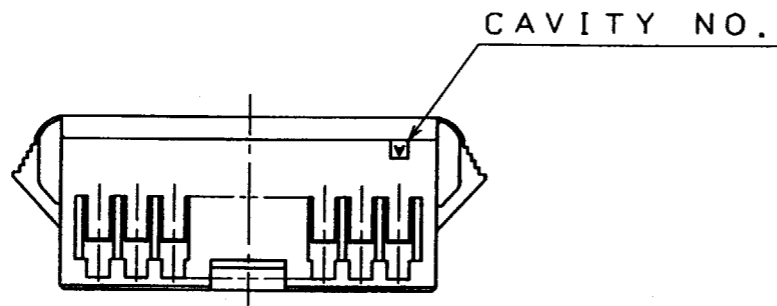
PLEASE NOTE THAT A DIMENSION (PANEL THROUGH HOLE) VARY WITH THICKNESS OF PANEL WHEN YOU MOUNT DF1B EXTENSION SOCKET TO THE PANEL. AND PLEASE PROCESS THE PANEL THROUGH HOLE WITHOUT BURR.



CONTACT NO. 1



NUMBER OF CONTACTS



CAVITY NO.

HRS NO.	PART NO.	PANEL CUTOUT						
		PANEL THICKNESS			a	b	c	
		0.5-1.2	1.3-1.6	1.7-2.0				
CL541-0351-1	DF1B-10DES-2.5RC	A	B	a	a	a	b	c
0352-4	12	10.0	15.0	19.1	19.8	20.5	15.2	3.7
0353-7	14	12.5	17.5	21.6	22.3	23.0	17.7	3.7
0354-0	16	15.0	20.0	24.1	24.8	25.5	20.2	3.7
0846-1	18	17.5	22.5	26.6	27.3	28.0	22.7	3.7
0855-2	20	20.0	25.0	29.1	29.8	30.5	25.2	3.7
0856-5	22	22.5	27.5	31.6	32.3	33.0	27.7	5.2
0357-8	24	25.0	30.0	34.1	34.8	35.5	30.2	5.2
0358-0	26	27.5	32.5	36.6	37.3	38.0	32.7	5.2
0359-3	28	30.0	35.0	39.1	39.8	40.5	35.2	5.2
0360-2	30	32.5	37.5	41.6	42.3	43.0	37.7	5.2
0361-5	32	35.0	40.0	44.1	44.8	45.5	40.2	5.2
0362-8	34	37.5	42.5	46.6	47.3	48.0	42.7	5.2
		40.0	45.0	49.1	49.8	50.5	45.2	5.2

10 CONTACTS TO 18 CONTACTS SHALL BE 3.5mm.

NO.	MATERIAL	FINISH, REMARKS	1	POLYAMIDE	NATURAL(WHITE) UL94V-0
CODE NO. (OLD)			DRAWN	DESIGNED	CHECKED
			M. Gotoh	M. Gotoh	T. Oma
			94 324	94 324	94 325
			APPROVED	RELEASED	
			M. Yamamoto		
			94 325	94 325	
SCALE	DRAWING NO.	PART NO.			
2 : 1	EDC3-160094-02	DF1B-*DES-2.5RC			
UNITS	HRS HIROSE ELECTRIC CO., LTD.	CODE NO.	0346	1	1
mm		CL541-0362-8			1