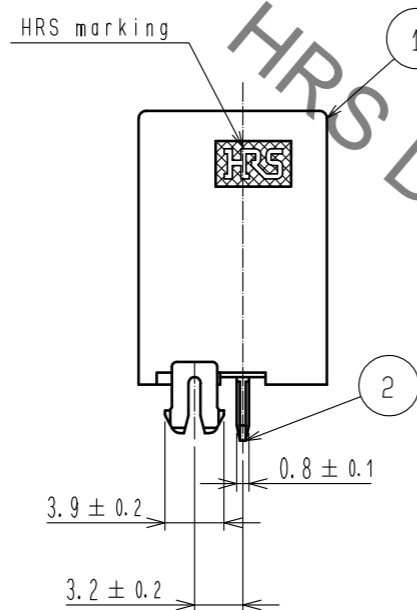
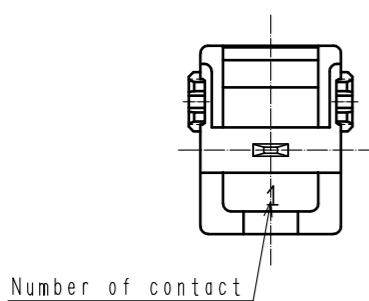
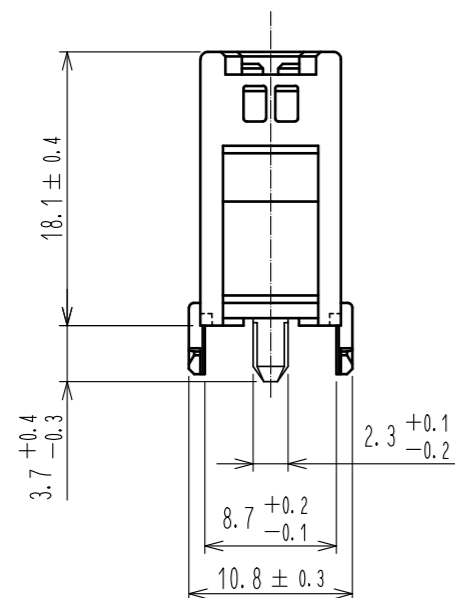
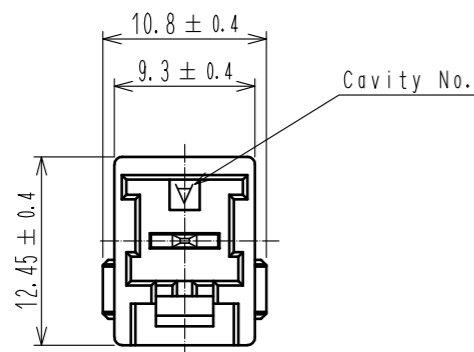


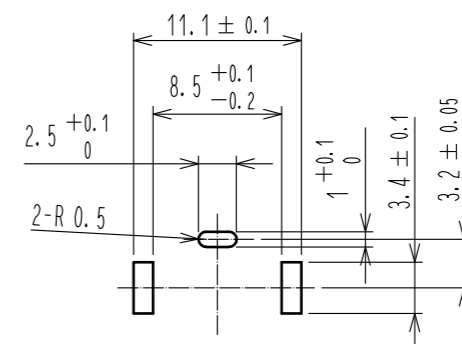
Sep.1.2020 Copyright 2020 HIROSE ELECTRIC CO., LTD. All Rights Reserved.  
In case of consideration for using Automotive equipment / device which demand high reliability, kindly contact our sales window correspondents.



DF22-1S-7.92C(28)

DF22-1P-7.92DSA(25)

Recommended PCB layout



Application diagram

DF22B-1S-7.92C  
DF22C-1S-7.92C  
(Drawing=DF22C)

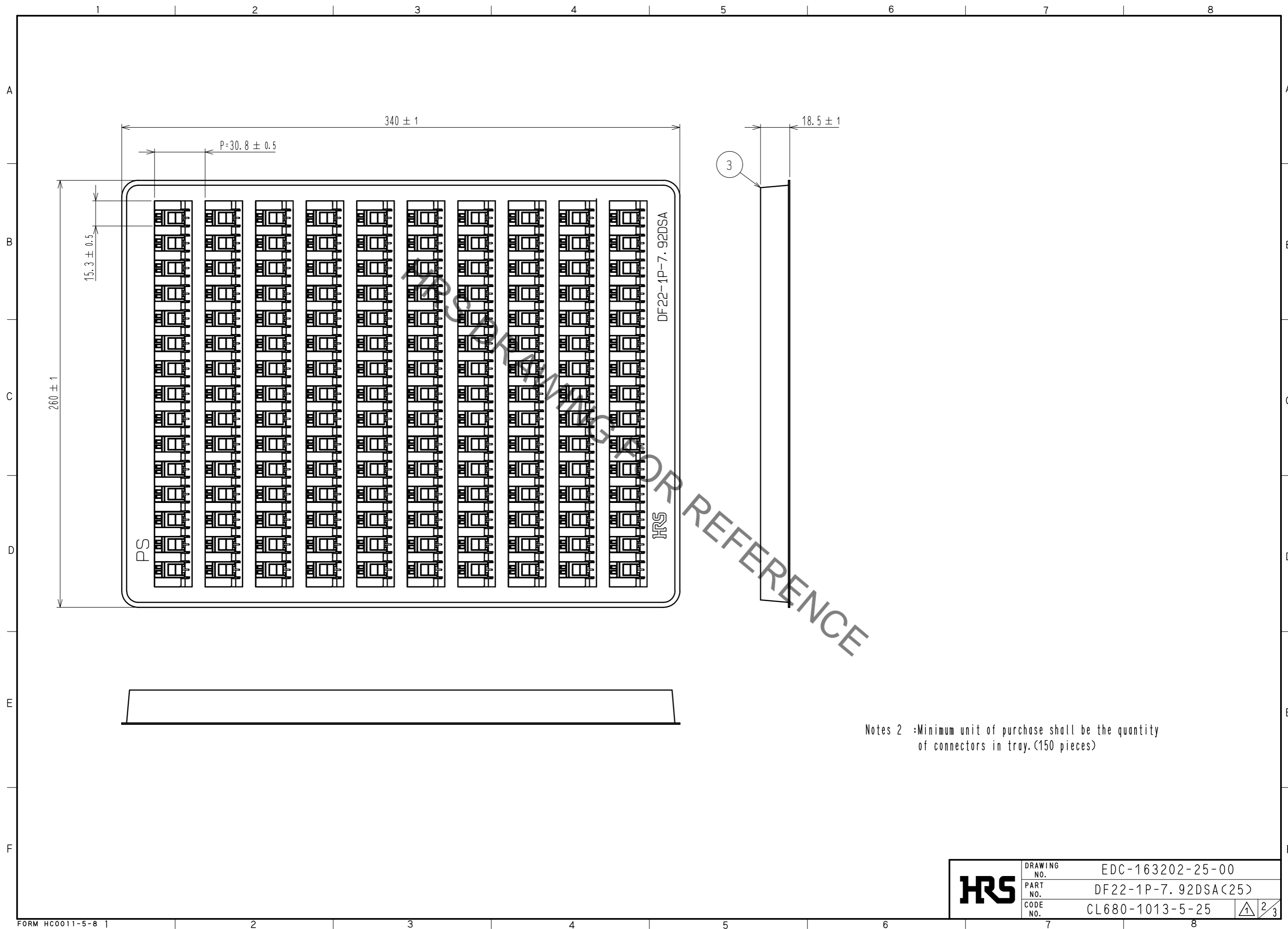
DF22-1P-7.92DSA(25)

NOTE 1. UL(File No. E52653)  
C-UL(File No. E52653)  
TÜV(File No. R9950703) authorization article.



1	Polyamide	Natural(Beige). UL94V-0	3	PS	Tray. White
2	Copper alloy		2	Copper alloy	Lead area: Tin-Copper plating 1μm min Under plating: Nickel plating 0.5μm min
NO.	MATERIAL	FINISH . REMARKS	NO.	MATERIAL	FINISH . REMARKS
UNITS mm		SCALE 2 : 1	COUNT 1	DESCRIPTION OF REVISIONS	
HRS HIROSE ELECTRIC CO., LTD.		APPROVED : HS. OKAWA 17.08.22	DESIGNED TS. KUMAZAWA	CHECKED TS. FUKUSHIMA	DATE 18.03.29
		CHECKED : TS. FUKUSHIMA 17.08.22	DRAWING NO. EDC-163202-25-00		
		DESIGNED : MI. SAKIMURA 17.08.22	PART NO. DF22-1P-7.92DSA(25)		
		DRAWN : MI. SAKIMURA 17.08.22	CODE NO. CL680-1013-5-25		

Sep.1.2020 Copyright 2020 HIROSE ELECTRIC CO., LTD. All Rights Reserved.  
 In case of consideration for using Automotive equipment / device which demand high reliability, kindly contact our sales window correspondents.



Notes 2 :Minimum unit of purchase shall be the quantity of connectors in tray.(150 pieces)

<b>HRS</b>	DRAWING NO.	EDC-163202-25-00	
	PART NO.	DF22-1P-7.92DSA(25)	
	CODE NO.	CL680-1013-5-25	2/3

Sep.1.2020 Copyright 2020 HIROSE ELECTRIC CO., LTD. All Rights Reserved.  
In case of consideration for using Automotive equipment / device which demand high reliability, kindly contact our sales window correspondents.

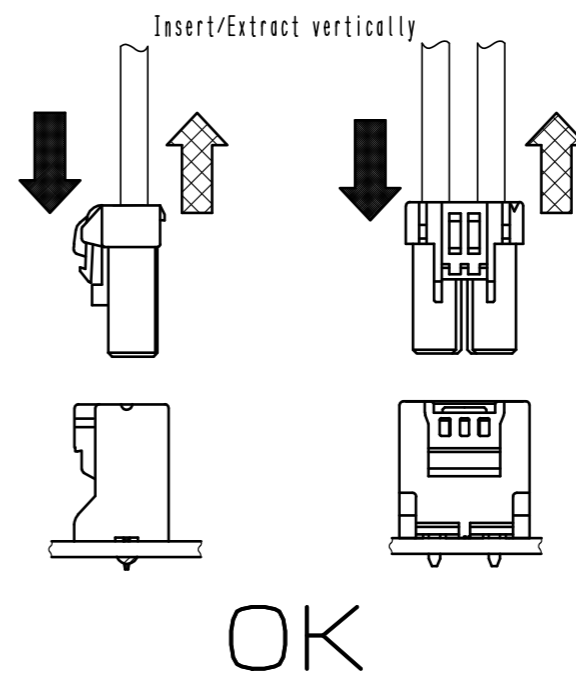
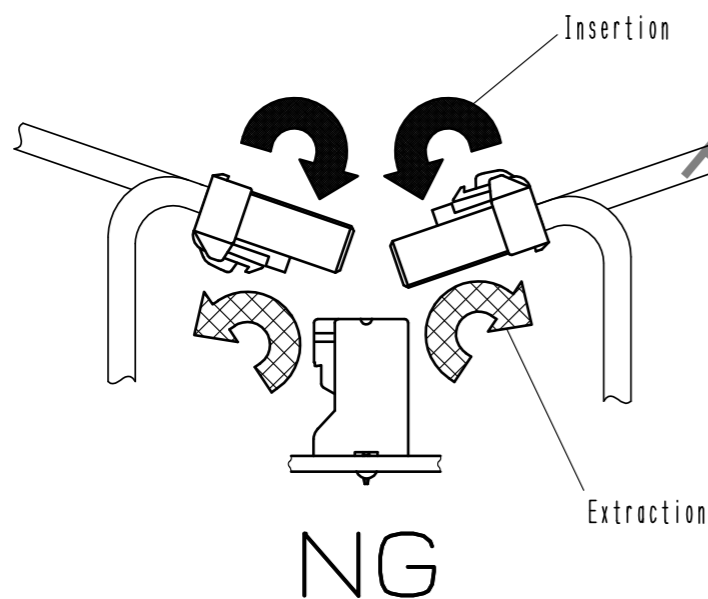


### Precautions

#### Notification for Insertion/Extraction

- 1) Please insert/extract the crimping socket straight to the mating connector.  
Insertion/Extraction at tilted angles applies load concentration to the connector end and may cause deformation (at connection area, socket and header case, etc). There is a firing risk using this kind of deformed connector.

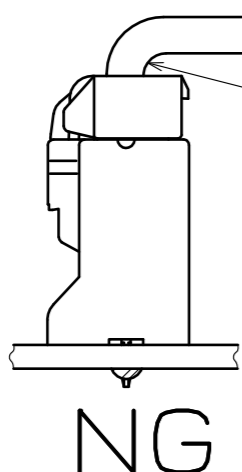
Insertion/Extraction



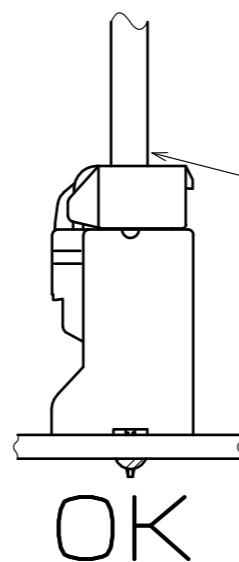
- 2) When it is hard to extract, please lightly insert the connector beforehand and then pull it with releasing the lock.  
Forced extraction has a risk of connector breakage.

#### Notification of wiring

- 1) When using a thick cable, short cable length and bending close to the connector end, these load concentrations may cause deformation.  
Please note that there is a firing risk using a deformed connector.  
When installing, please refrain from stress concentration such as cable bending close to the connector end or cable twisting.



Stress concentration:  
Cable bending close to connector



No stress concentration:  
No cable bending close to connector



- 2) When applying load to the connector end, please use the retainer for reducing the stress effect on the connector.  
Retainer shall be installed after the crimping contact is completely inserted. It might be impossible to insert it when terminal installation is incomplete.



DRAWING NO.	EDC-163202-25-00
PART NO.	DF22-1P-7.92DSA(25)
CODE NO.	CL680-1013-5-25