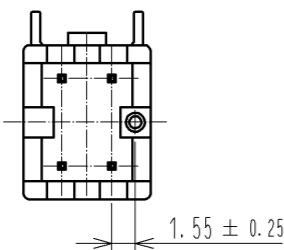
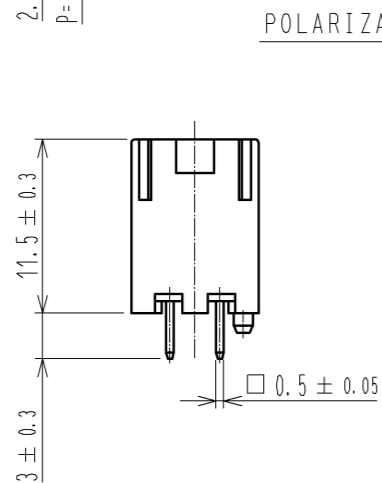
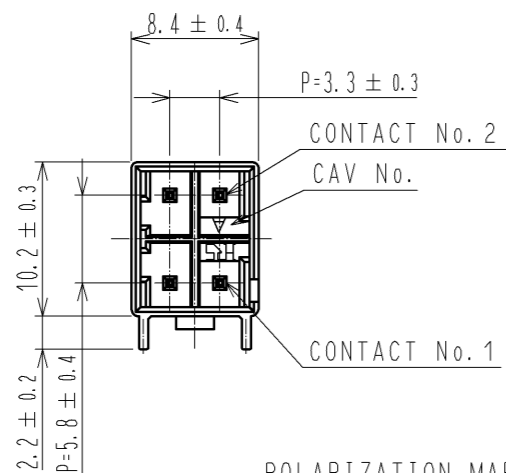
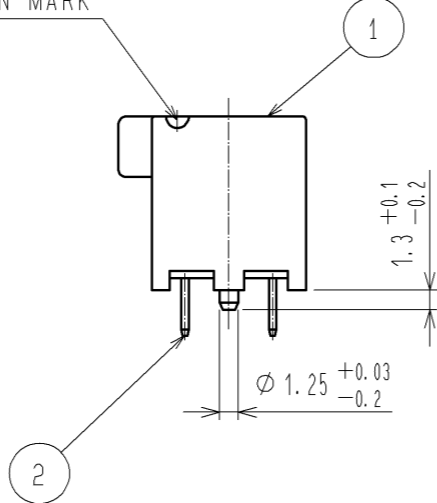


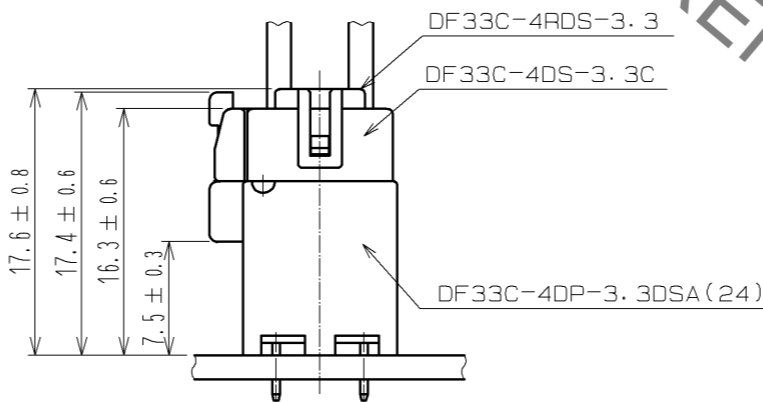
Sep.1.2020 Copyright 2020 HIROSE ELECTRIC CO., LTD. All Rights Reserved.
In case of consideration for using Automotive equipment / device which demand high reliability, kindly contact our sales window correspondents.



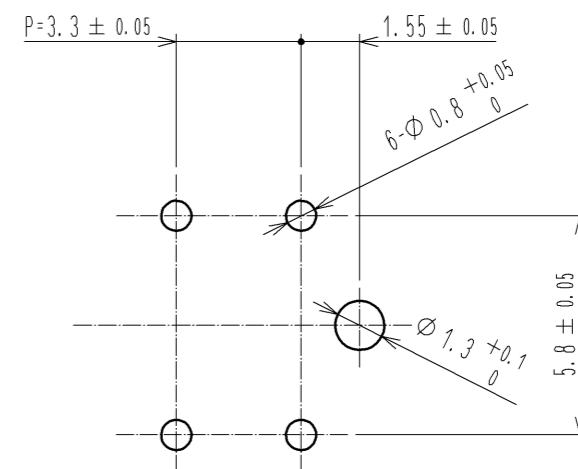
POLARIZATION MARK



APRICATION DIAGRAM



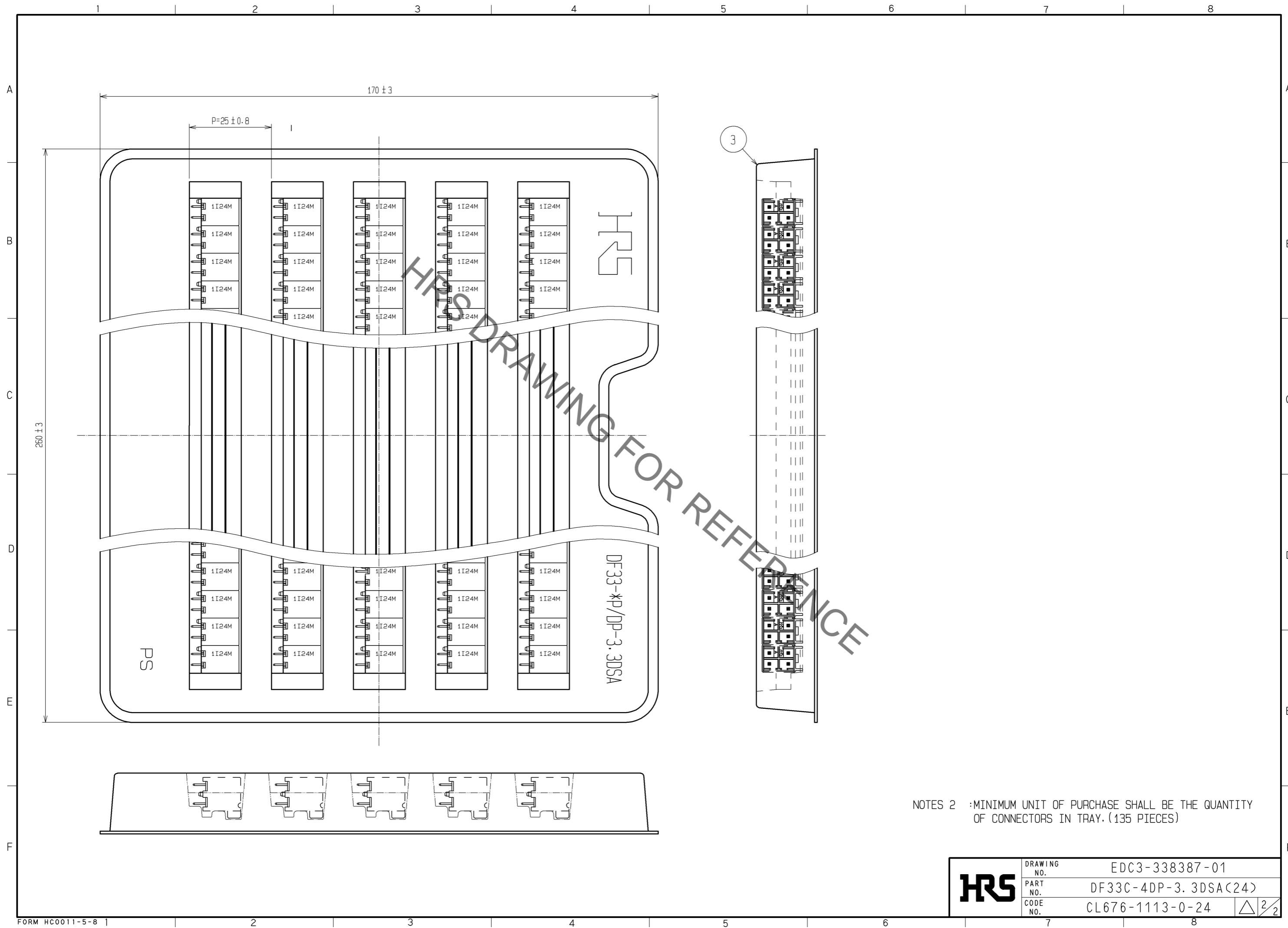
RECOMMENDED PATTERN(5:1)
(RECOMMENDED BOARD THICKNESS t=1.6mm)



NOTES 1 :IMMERSION DEPTH INTO POTTING SOLUTION:6.5mm

1	PBT	WHITE, UL94V-0	3	HIPS	TRAY			
2	BRASS		2	BRASS	SURFACE:TIN PLATED 1µm min UNDER PLATING:NICKEL PLATED 0.5µm min			
NO.	MATERIAL	FINISH, REMARKS	NO.	MATERIAL	FINISH, REMARKS			
UNITS mm		SCALE 2:1		COUNT	DESCRIPTION OF REVISIONS	DESIGNED	CHECKED	DATE
HRS HIROSE ELECTRIC CO., LTD.		APPROVED : KI. AKIYAMA	12.07.26	DRAWING NO. EDC3-338387-01				
		CHECKED : HK. UMEHARA	12.07.26	PART NO. DF33C-4DP-3.3DSA(24)				
		DESIGNED : HT. SATO	12.07.26	CODE NO. CL676-1113-0-24				
		DRAWN : MI. SAKIMURA	12.07.26					

Sep.1.2020 Copyright 2020 HIROSE ELECTRIC CO., LTD. All Rights Reserved.
 In case of consideration for using Automotive equipment / device which demand high reliability, kindly contact our sales window correspondents.



NOTES 2 :MINIMUM UNIT OF PURCHASE SHALL BE THE QUANTITY OF CONNECTORS IN TRAY. (135 PIECES)

HS	DRAWING NO.	EDC3-338387-01
	PART NO.	DF33C-4DP-3.3DSA(24)
	CODE NO.	CL676-1113-0-24
		△ 2/2