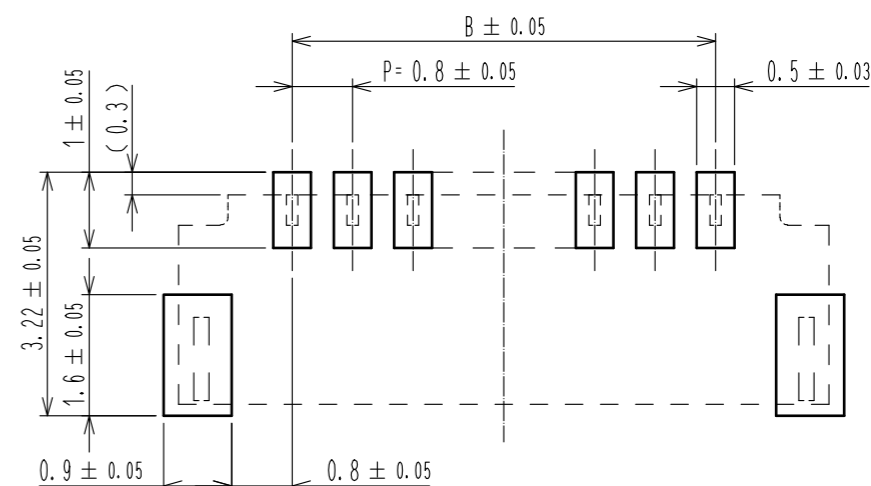
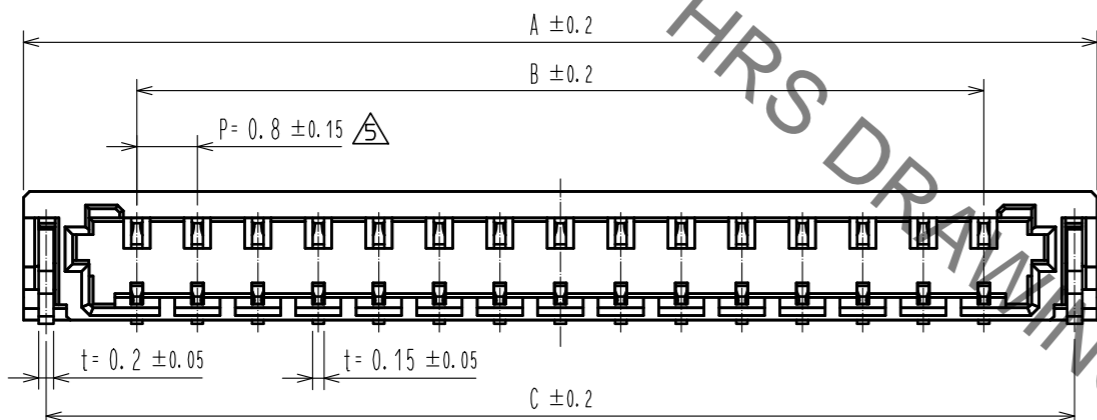


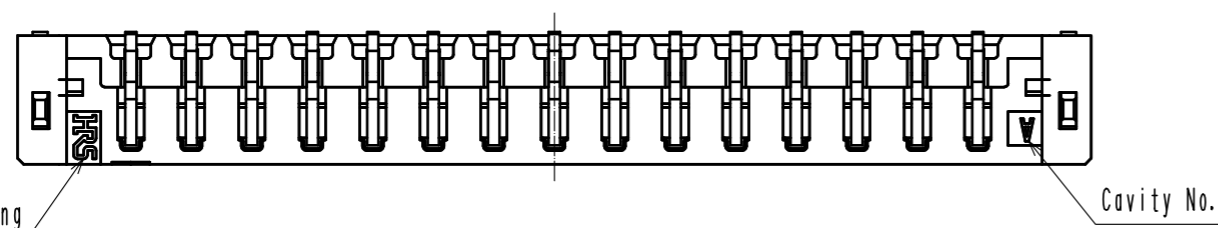
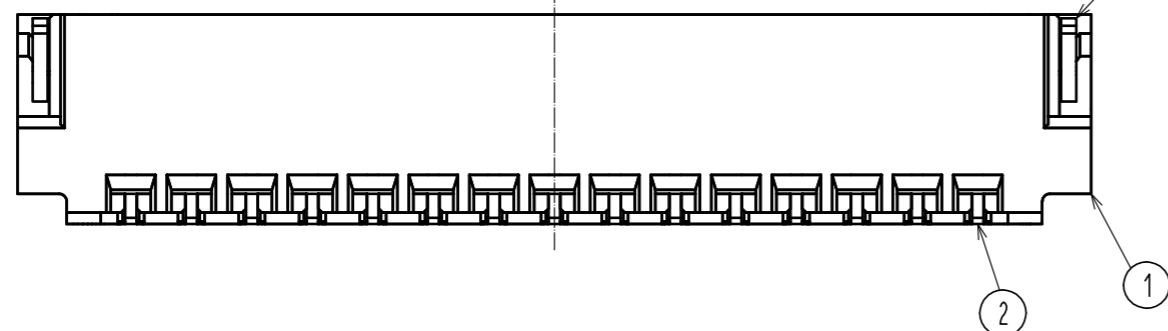
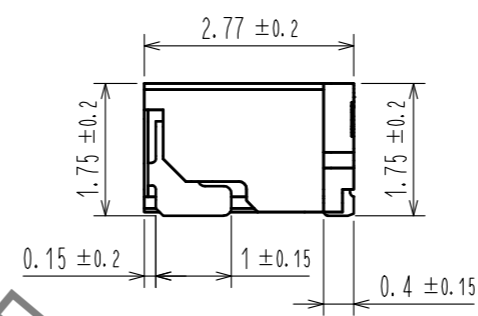
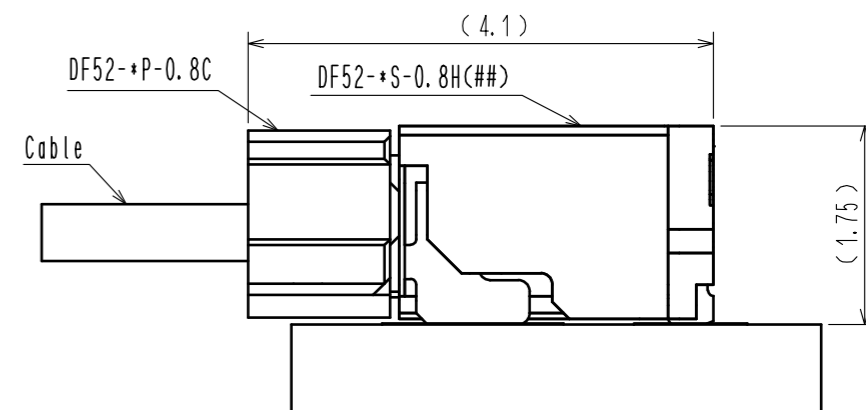
Aug.1.2020 Copyright 2020 HIROSE ELECTRIC CO., LTD. All Rights Reserved.
In case of consideration for using Automotive equipment / device which demand high reliability, kindly contact our sales window correspondents.

Contact No.1 marking

Recommended PCB layout
Recommended metal mask (thickness:0.1mm)



Mating Figure (Free)



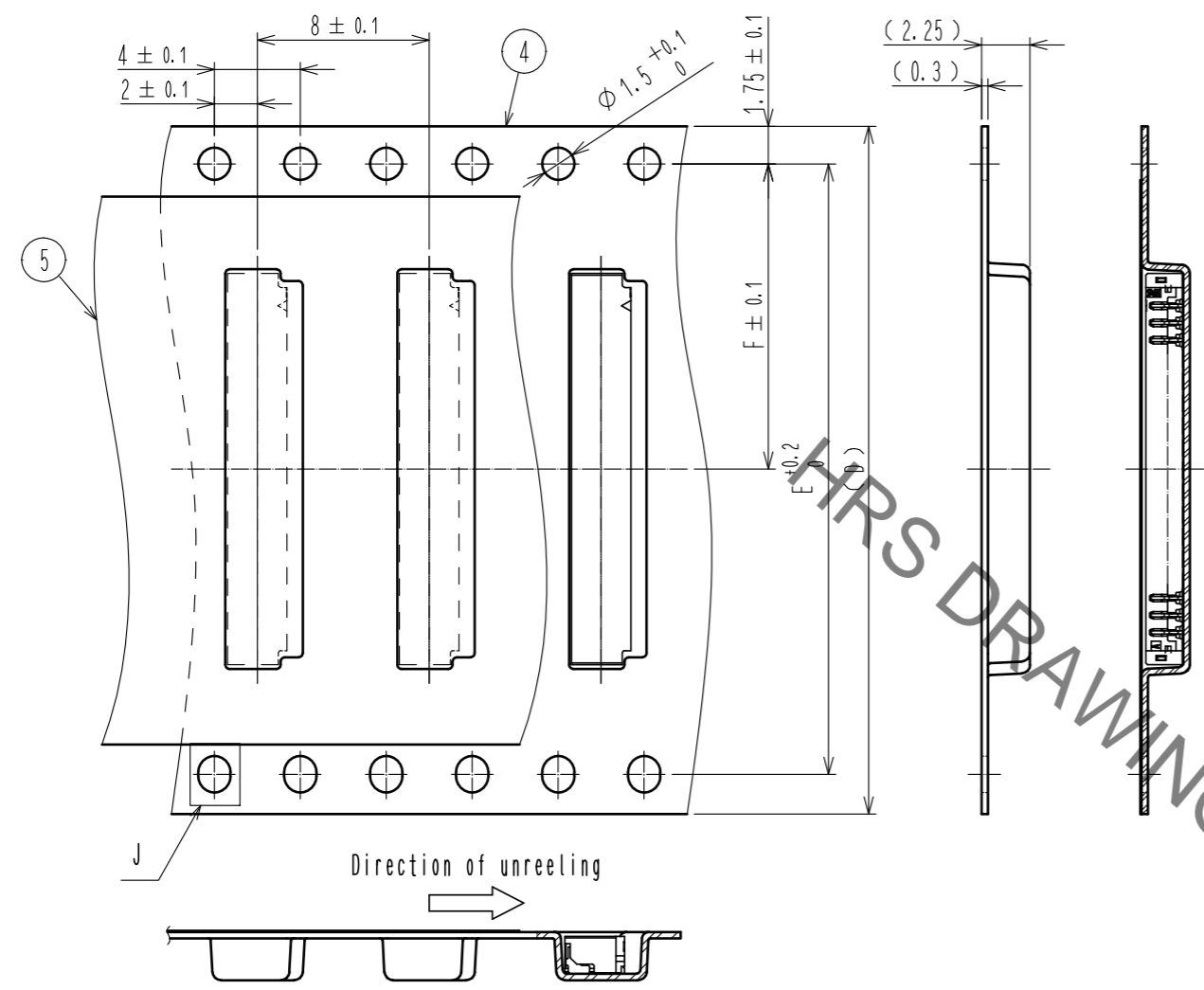
| Part No. | Code No. | A | B | C |
|-------------------|------------------|------|------|------|
| DF52-2S-0.8H(21) | CL0668-0004-5-21 | 3.8 | 0.8 | 3.2 |
| DF52-3S-0.8H(21) | CL0668-0022-7-21 | 4.6 | 1.6 | 4.0 |
| DF52-4S-0.8H(21) | CL0668-0005-8-21 | 5.4 | 2.4 | 4.8 |
| DF52-5S-0.8H(21) | CL0668-0023-0-21 | 6.2 | 3.2 | 5.6 |
| DF52-6S-0.8H(21) | CL0668-0006-0-21 | 7.0 | 4.0 | 6.4 |
| DF52-8S-0.8H(21) | CL0668-0007-3-21 | 8.6 | 5.6 | 8.0 |
| DF52-10S-0.8H(21) | CL0668-0008-6-21 | 10.2 | 7.2 | 9.6 |
| DF52-12S-0.8H(21) | CL0668-0009-9-21 | 11.8 | 8.8 | 11.2 |
| DF52-14S-0.8H(21) | CL0668-0024-2-21 | 13.4 | 10.4 | 12.8 |
| DF52-15S-0.8H(21) | CL0668-0010-8-21 | 14.2 | 11.2 | 13.6 |
| DF52-16S-0.8H(21) | CL0668-0025-5-21 | 15.0 | 12.0 | 14.4 |
| DF52-17S-0.8H(21) | CL0668-0001-7-21 | 15.8 | 12.8 | 15.2 |
| DF52-20S-0.8H(21) | CL0668-0011-0-21 | 18.2 | 15.2 | 17.6 |

| 3 | Brass | Surface:tin plating 1μmMIN | 6 | PS | Black(Reel) |
|-----------------------------------|--------------|----------------------------|----------------------------|---------------|---|
| 2 | Copper alloy | Surface:tin plating 1μmMIN | 5 | Polyester | Clear(Cover tape), ANTI-STATIC |
| 1 | Polyamide | Black, UL94V-0 | 4 | PS | Clear(Embossed carrier tape), ANTI-STATIC |
| NO. | MATERIAL | FINISH . REMARKS | NO. | MATERIAL | FINISH . REMARKS |
| UNITS | mm | SCALE | 10:1 | COUNT | 2 |
| DESCRIPTION OF REVISIONS | | | DESIGNED | CHKD | DATE |
| DIS-H-00003668 | | | HK. HAYASHI | TS. FUKUSHIMA | 18.03.22 |
| APPROVED : KI. AKIYAMA 14.06.27 | | | DRAWING NO. EDC3-356517-01 | | |
| CHECKED : HK. UMEHARA 14.06.27 | | | PART NO. DF52-*S-0.8H(21) | | |
| DESIGNED : TH. YOSHIZAWA 14.06.26 | | | CODE NO. CL668- | | |
| DRAWN : TH. YOSHIZAWA 14.06.26 | | | 1/2 | | |

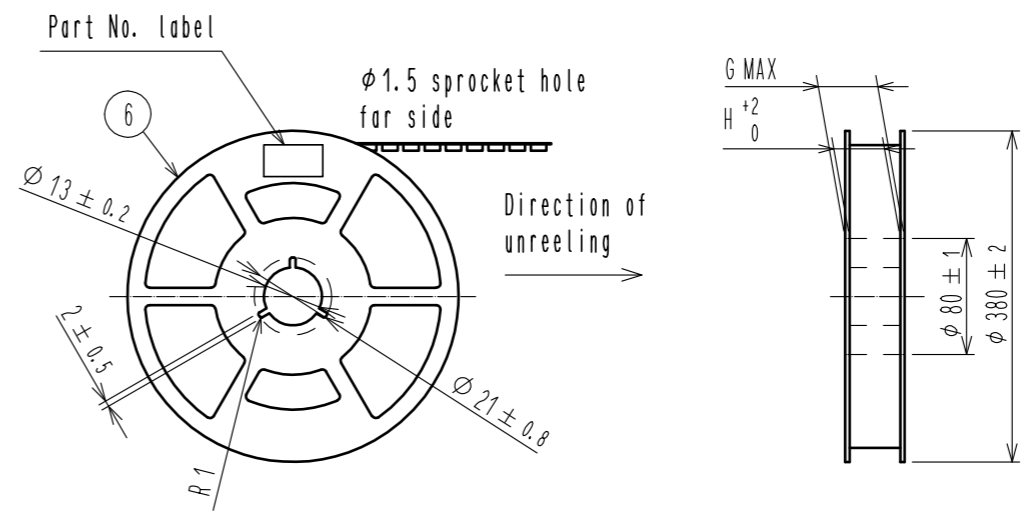
Note 1. Lead co-planarity shall be 0.1mm MAX.
2. Please consult HIROSE when the product is mounted to FPC.

Aug.1.2020 Copyright 2020 HIROSE ELECTRIC CO., LTD. All Rights Reserved.
 In case of consideration for using Automotive equipment / device which demand high reliability, kindly contact our sales window correspondents.

Drawing for packing (Free)



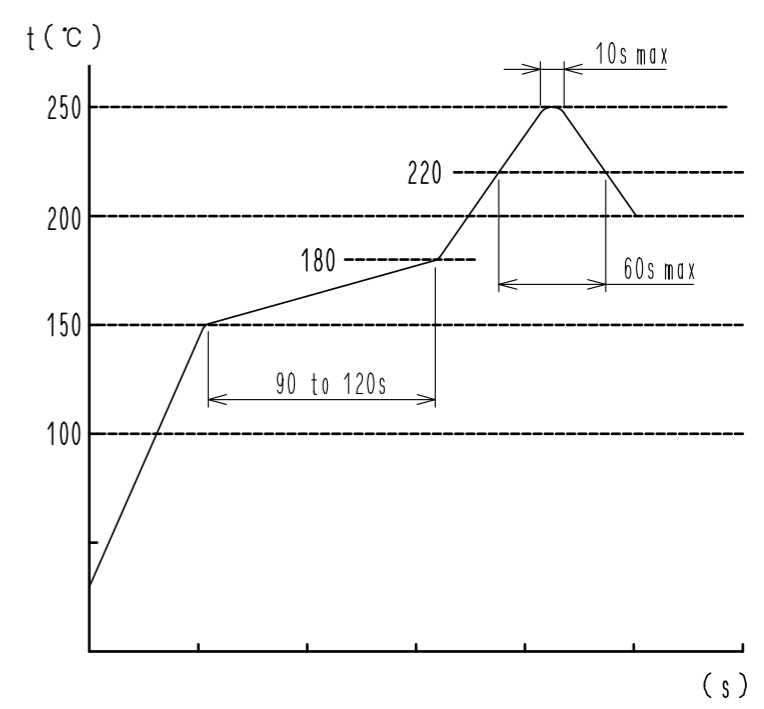
Style and dimension of reel (Free)



Detail of part No. label

| | | |
|------------------|-------------------|-----|
| Lot No. | 170 7010 | ◀ 7 |
| CL Code | CL668-0001-7-21 | |
| 品名 (Part Number) | DF52-17S-0.8H(21) | |
| 納入数量 (Qty) | 5000 K0 | |
| ヒロセ電機(株) | | |

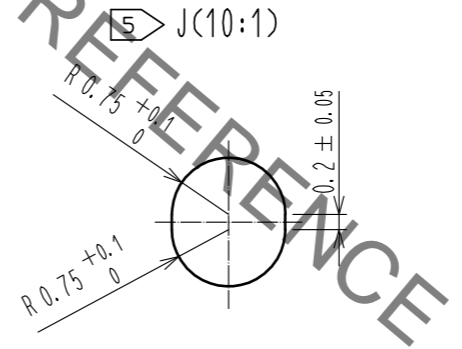
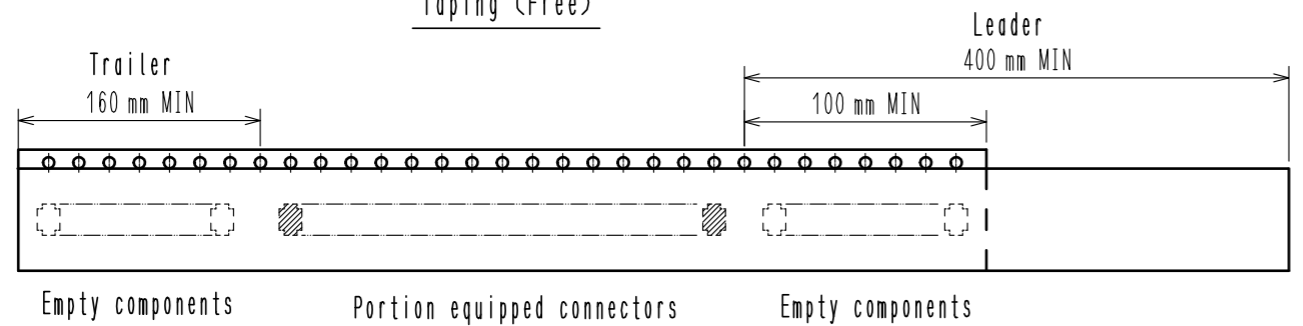
Reflow temperature profile using lead-free solder paste (Reference)



Number of reflow cycles 2 cycles MAX.
 The temperature is measured in the terminal lead part.

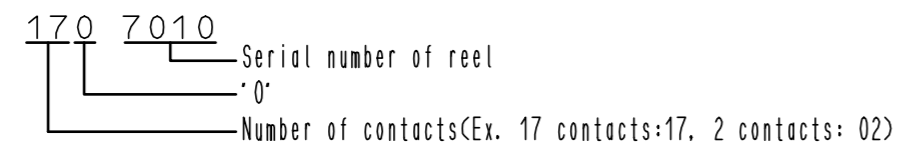
Additional factors, such as solder paste type, PCB size and other mounted components could affect the profile, therefore, a thorough evaluation of mounting condition is required prior to production.

Taping (Free)



| Part No. | Code No. | D | E | F | G | H |
|-------------------|------------------|------|------|------|------|------|
| DF52-2S-0.8H(21) | CL0668-0004-5-21 | 16.0 | / | 7.5 | 22.4 | 16.4 |
| DF52-3S-0.8H(21) | CL0668-0022-7-21 | 16.0 | / | 7.5 | 22.4 | 16.4 |
| DF52-4S-0.8H(21) | CL0668-0005-8-21 | 16.0 | / | 7.5 | 22.4 | 16.4 |
| DF52-5S-0.8H(21) | CL0668-0023-0-21 | 16.0 | / | 7.5 | 22.4 | 16.4 |
| DF52-6S-0.8H(21) | CL0668-0006-0-21 | 16.0 | / | 7.5 | 22.4 | 16.4 |
| DF52-8S-0.8H(21) | CL0668-0007-3-21 | 24.0 | / | 11.5 | 30.4 | 24.4 |
| DF52-10S-0.8H(21) | CL0668-0008-6-21 | 24.0 | / | 11.5 | 30.4 | 24.4 |
| DF52-12S-0.8H(21) | CL0668-0009-9-21 | 24.0 | / | 11.5 | 30.4 | 24.4 |
| DF52-14S-0.8H(21) | CL0668-0024-2-21 | 24.0 | / | 11.5 | 30.4 | 24.4 |
| DF52-15S-0.8H(21) | CL0668-0010-8-21 | 24.0 | / | 11.5 | 30.4 | 24.4 |
| DF52-16S-0.8H(21) | CL0668-0025-5-21 | 24.0 | / | 11.5 | 30.4 | 24.4 |
| DF52-17S-0.8H(21) | CL0668-0001-7-21 | 24.0 | / | 11.5 | 30.4 | 24.4 |
| DF52-20S-0.8H(21) | CL0668-0011-0-21 | 32.0 | 28.4 | 14.2 | 38.4 | 32.4 |

- Note
- 3. 1reel:5000 connectors.
 - 4. () is reference dimension.
 - 5 When the tape width is 32mm, sprocket holes shall be set on both side of reel as shown on this drawing.
 - 6 Refer to JIS C 0806. (Packaging of components for automating handling)
 - 7 Each meaning of Lot No. are shown below.



| | | |
|-----|-------------|------------------|
| HRS | DRAWING NO. | EDC3-356517-01 |
| | PART NO. | DF52-*S-0.8H(21) |
| | CODE NO. | CL668- |