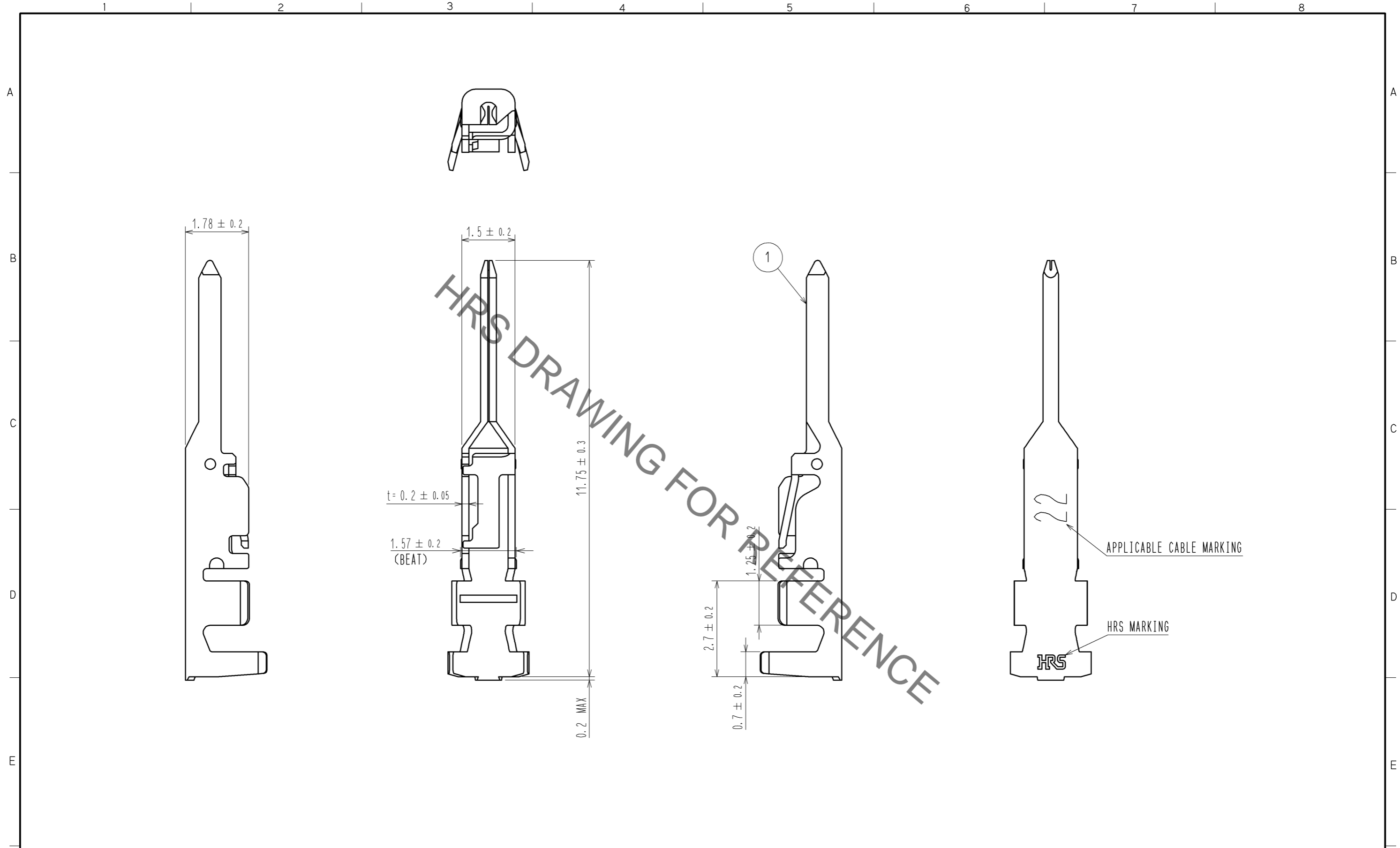


Sep.1.2020 Copyright 2020 HIROSE ELECTRIC CO., LTD. All Rights Reserved.
In case of consideration for using Automotive equipment / device which demand high reliability, kindly contact our sales window correspondents.



NOTE 1. 1PACK:100 CONTACTS

NO.		MATERIAL		FINISH . REMARKS		1	PHOSPHOR BRONZE	TIN PLATING 1 μm MIN
UNITS mm		SCALE 10 : 1		COUNT		DESIGNED		CHECKED
								DATE
HIROSE ELECTRIC CO., LTD.		APPROVED : KI. AKIYAMA		14. 04. 26		DRAWING NO.		EDC3-352027-00
		CHECKED : KI. AKIYAMA		14. 04. 26		PART NO.		DF62-EP22PC
		DESIGNED : TS. KUMAZAWA		14. 04. 25		CODE NO.		CL544-0575-8-00
		DRAWN : TS. KUMAZAWA		14. 04. 25				1/1