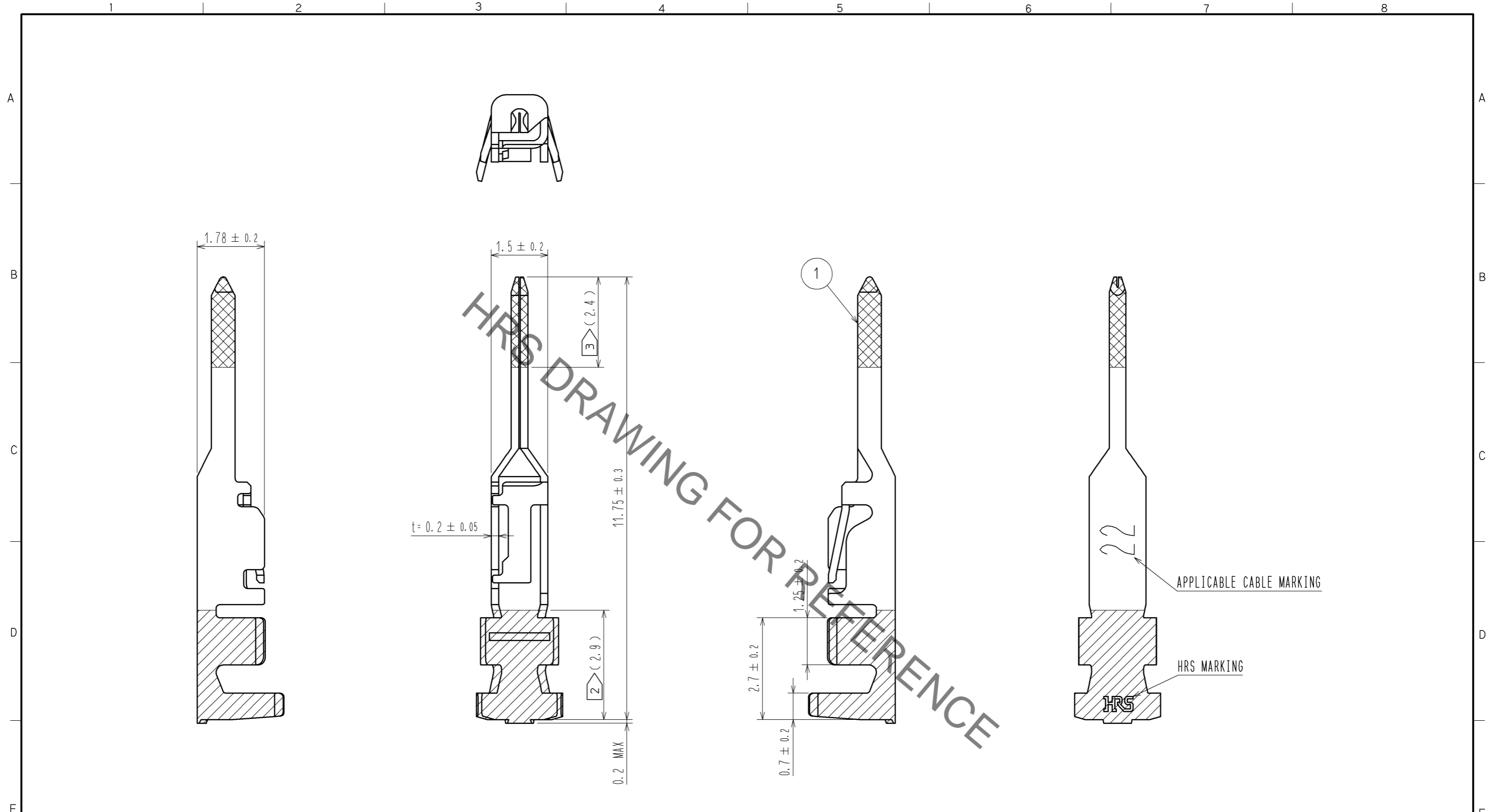


Sep.1.2020 Copyright 2020 HIROSE ELECTRIC CO., LTD. All Rights Reserved.  
In case of consideration for using Automotive equipment / device which demand high reliability, kindly contact our sales window correspondents.



NOTE 1. 1PACK:100 CONTACTS  
 2. TIN PLATING AREA.  
 3. GOLD PLATING AREA.  
 4. THE DIMENSIONS IN PARENTHESIS ARE FOR REFERENCE.

NO.	MATERIAL	FINISH . REMARKS	NO.	MATERIAL	FINISH . REMARKS
1	PHOSPHOR BRONZE	CONTACT AREA : GOLD PLATING 0.2 $\mu$ m MIN BARREL AREA : TIN PLATING 1 $\mu$ m MIN OTHERS : NICKEL PLATING 0.5 $\mu$ m MIN			

UNITS	SCALE	COUNT	DESCRIPTION OF REVISIONS	DESIGNED	CHECKED	DATE
mm	10:1					

<b>HRS</b> HIROSE ELECTRIC CO., LTD.	APPROVED : KI. AKIYAMA	12.07.21	DRAWING NO.	EDC3-345109-00
	CHECED : MN. KENJO	12.07.21	PART NO.	DF62-EP22PCA
	DESIGNED : TO. HORII	12.07.20	CODE NO.	CL544-0529-0-00
	DRAWN : TO. HORII	12.07.20		

$\triangle$  1/1