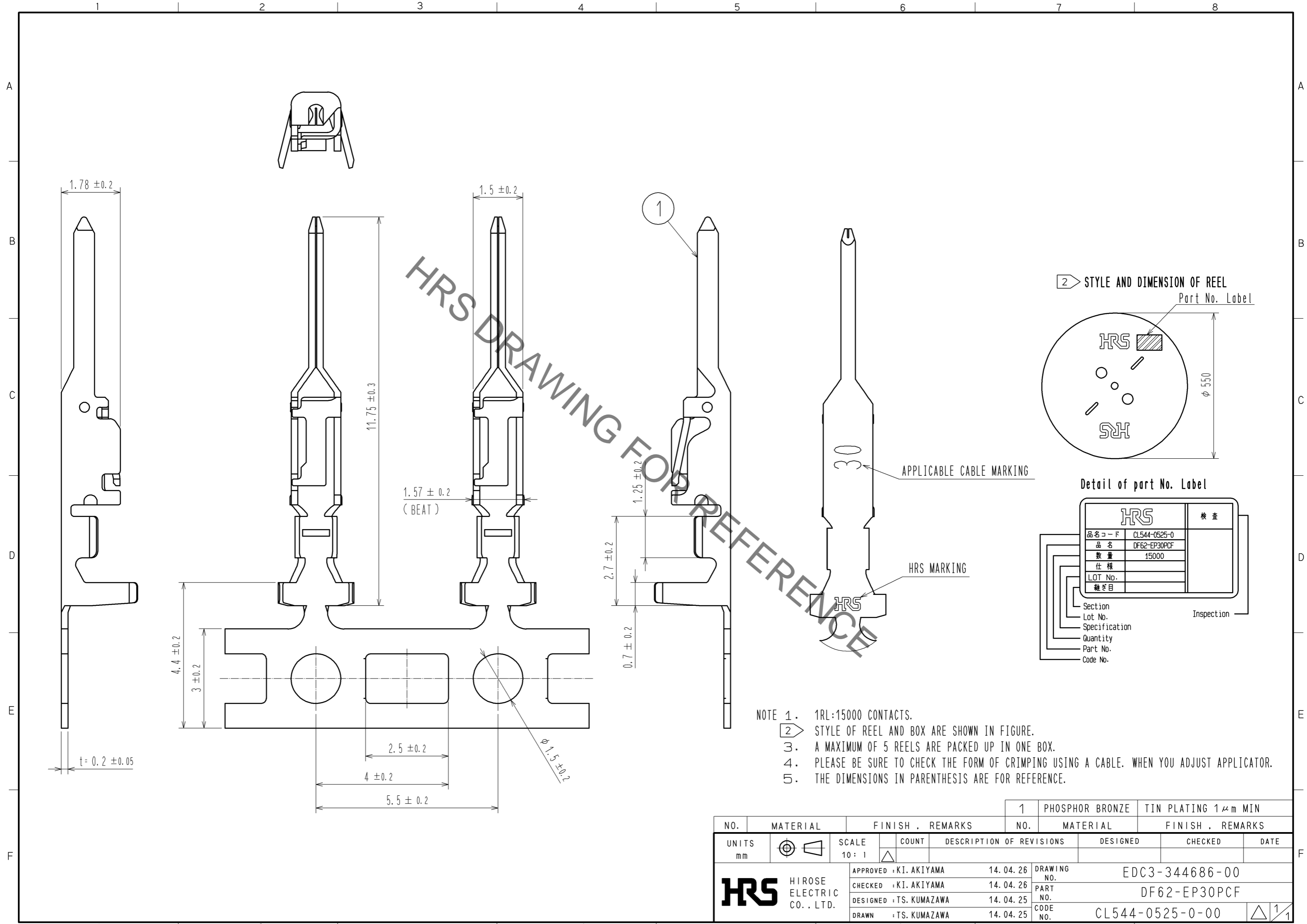


Sep.1.2020 Copyright 2020 HIROSE ELECTRIC CO., LTD. All Rights Reserved.
In case of consideration for using Automotive equipment / device which demand high reliability, kindly contact our sales window correspondents.



- NOTE 1. 1RL:15000 CONTACTS.
 2. STYLE OF REEL AND BOX ARE SHOWN IN FIGURE.
 3. A MAXIMUM OF 5 REELS ARE PACKED UP IN ONE BOX.
 4. PLEASE BE SURE TO CHECK THE FORM OF CRIMPING USING A CABLE. WHEN YOU ADJUST APPLICATOR.
 5. THE DIMENSIONS IN PARENTHESIS ARE FOR REFERENCE.

NO.	MATERIAL	FINISH	REMARKS	NO.	MATERIAL	FINISH	REMARKS
				1	PHOSPHOR BRONZE	TIN PLATING 1 μm MIN	

UNITS	SCALE	COUNT	DESCRIPTION OF REVISIONS	DESIGNED	CHECKED	DATE
mm	10:1	△				

HRS HIROSE ELECTRIC CO., LTD.	APPROVED : KI. AKIYAMA	14. 04. 26	DRAWING NO.	EDC3-344686-00
	CHECKED : KI. AKIYAMA	14. 04. 26	PART NO.	DF62-EP30PCF
	DESIGNED : TS. KUMAZAWA	14. 04. 25	CODE NO.	CL544-0525-0-00
	DRAWN : TS. KUMAZAWA	14. 04. 25		