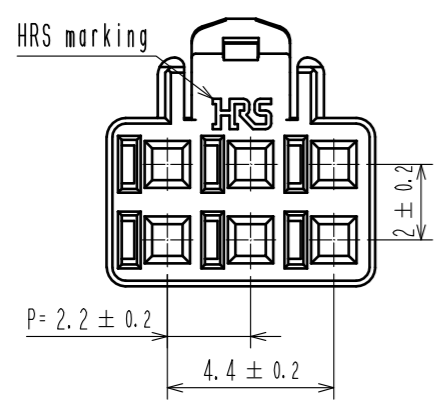
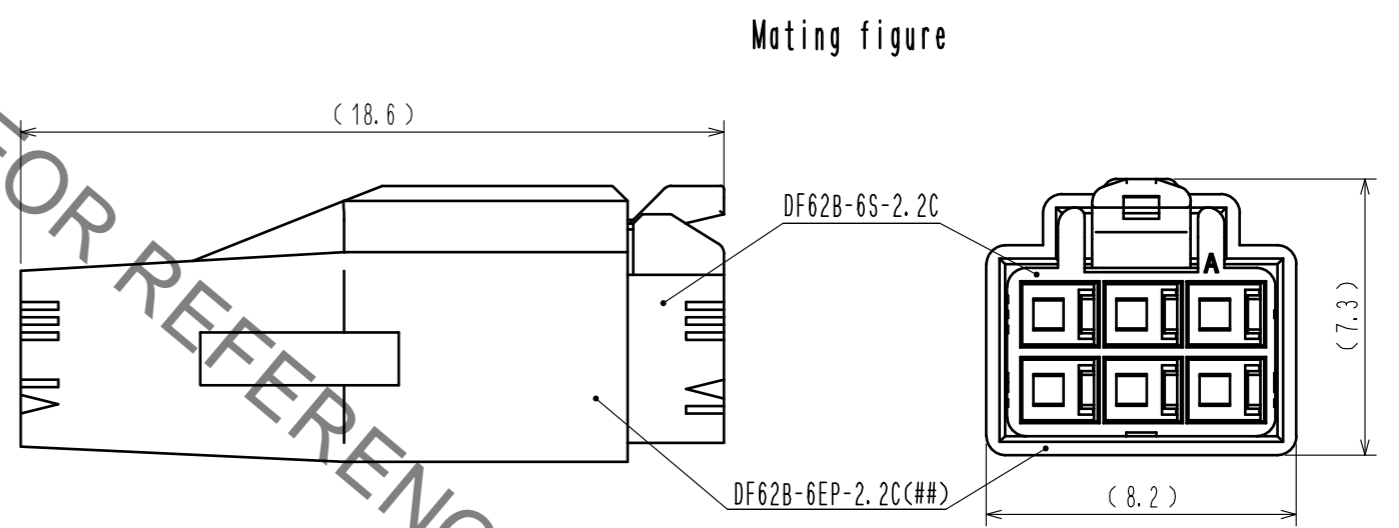
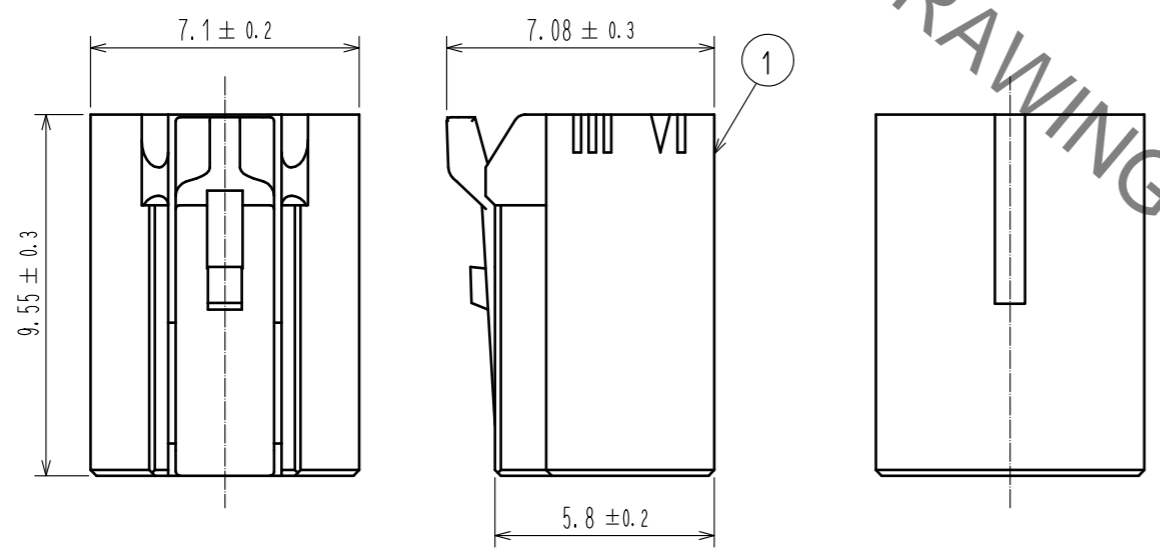
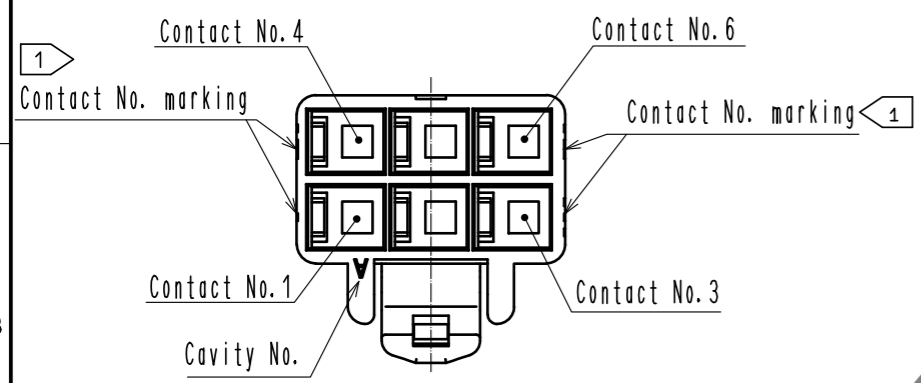
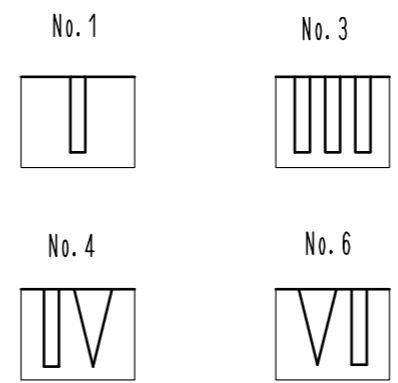


Sep.1.2020 Copyright 2020 HIROSE ELECTRIC CO., LTD. All Rights Reserved.
In case of consideration for using Automotive equipment / device which demand high reliability, kindly contact our sales window correspondents.

Figure-1 contact No. marking (10:1)



NOTE. 1. Marking at the indicated positions are contact No. marking and shapes are shown in figure-1.
2. Per pack : 100 pieces.
3. The dimensions in parenthesis are for reference.

NO.	MATERIAL	FINISH . REMARKS	NO.	MATERIAL	FINISH . REMARKS			
			1	PBT	UL94V-0 (RED)			
UNITS	SCALE	COUNT	DESCRIPTION OF REVISIONS			DESIGNED	CHECKED	DATE
mm	5 : 1	△						
APPROVED : HS. OKAWA			16.07.05		DRAWING NO. EDC-351960-18-00			
CHECKED : TS. FUKUSHIMA			16.07.05		PART NO. DF62B-6S-2.2C(18)			
DESIGNED : YK. YAMAGUCHI			16.07.05		CODE NO. CL544-0555-0-18			
DRAWN : YK. YAMAGUCHI			16.07.05		1/1			