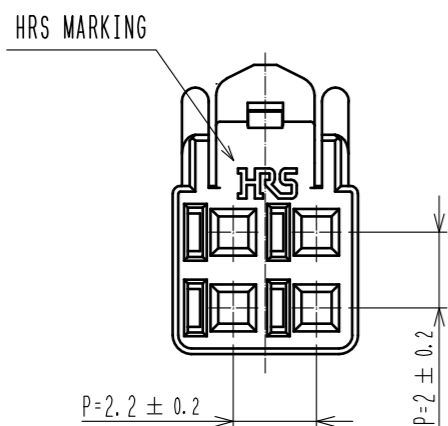
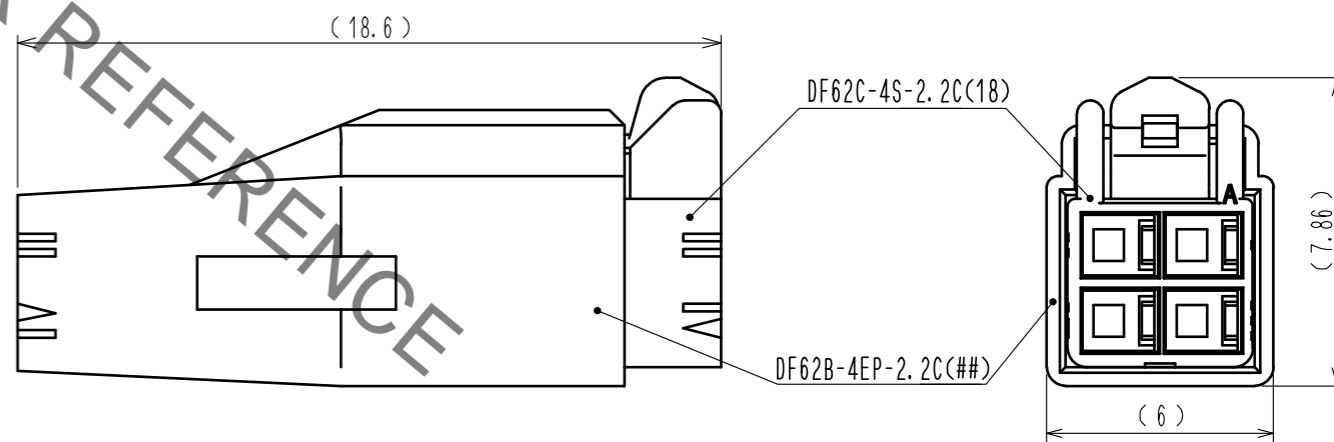
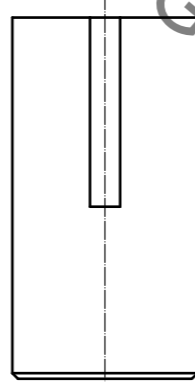
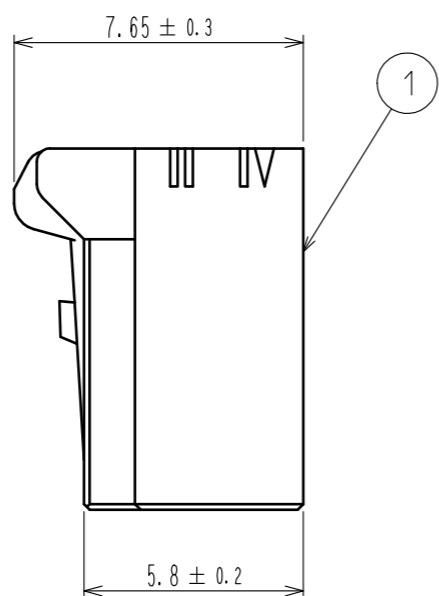
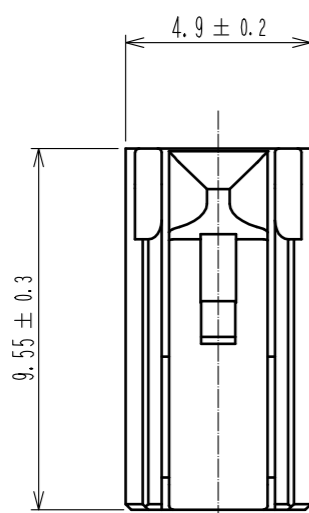
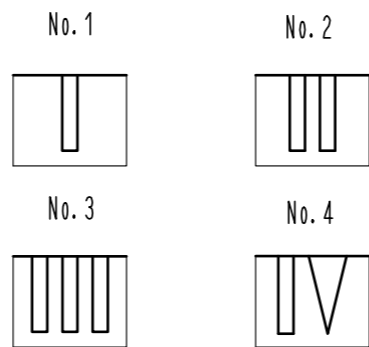
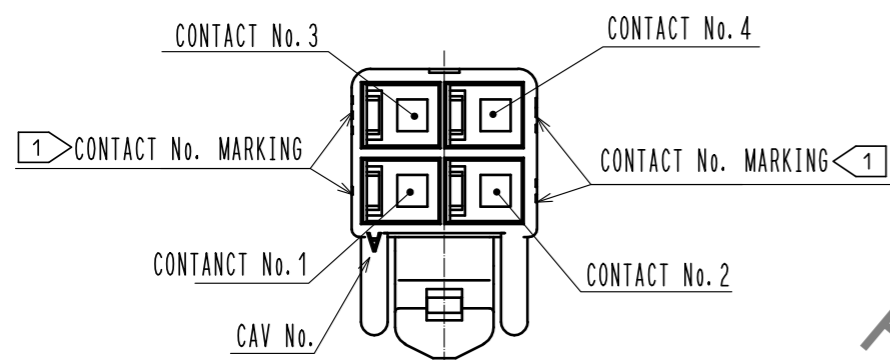


Sep.1.2020 Copyright 2020 HIROSE ELECTRIC CO., LTD. All Rights Reserved.
In case of consideration for using Automotive equipment / device which demand high reliability, kindly contact our sales window correspondents.

1> FIGURE-1 CONTACT No. MARKING (10:1)



NOTE. 1> MARKINGS AT THE INDICATED POSITIONS ARE CONTACT NO. MARKING. AND SHAPES ARE SHOWN IN FIGURE-1.
2. PER PACK : 100 PIECES.
3. THE DIMENSIONS IN PARENTHESIS ARE FOR REFERENCE.

NO.	MATERIAL	FINISH . REMARKS	NO.	MATERIAL	FINISH . REMARKS
			1	PBT	UL94V-0 (RED)
UNITS	mm	SCALE	DESCRIPTION OF REVISIONS		
		5 : 1	DESIGNED	CHECKED	DATE
HIROSE ELECTRIC CO., LTD.		APPROVED : KI. AKIYAMA	16.03.25	DRAWING NO. EDC-351972-18-00	
		CHECED : TS. FUKUSHIMA	16.03.25	PART NO. DF62C-4S-2.2C(18)	
		DESIGNED : TS. KUMAZAWA	16.03.25	CODE NO. CL544-0567-0-18	
		DRAWN : TS. KUMAZAWA	16.03.25	1/1	