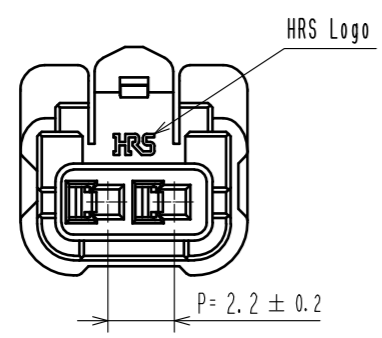
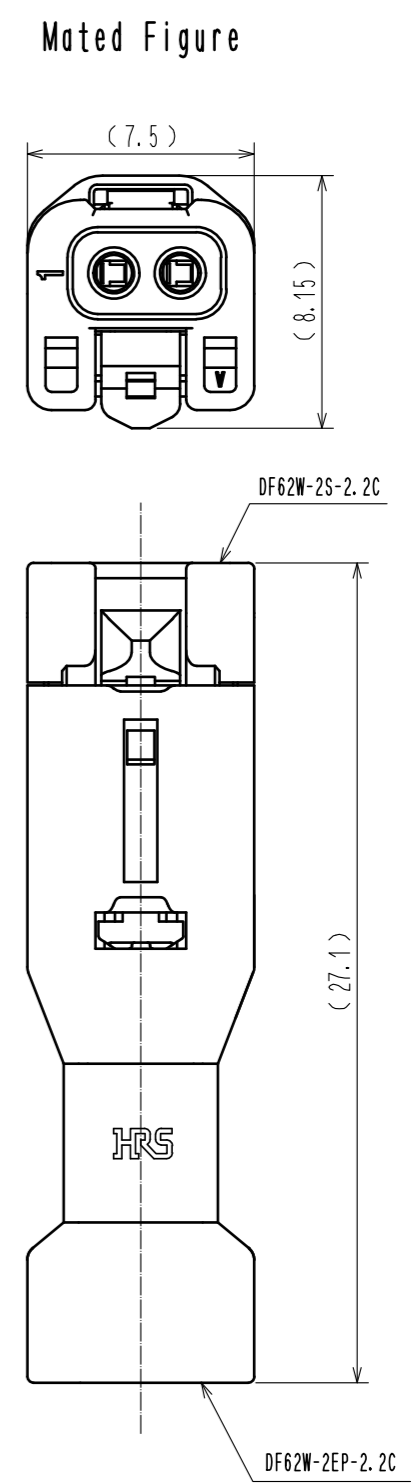
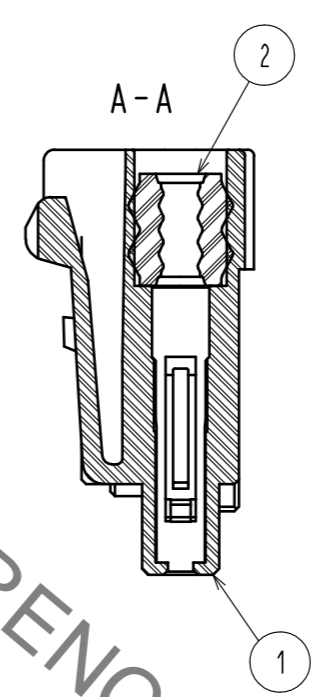
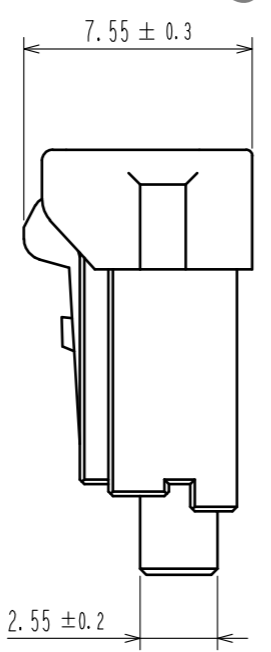
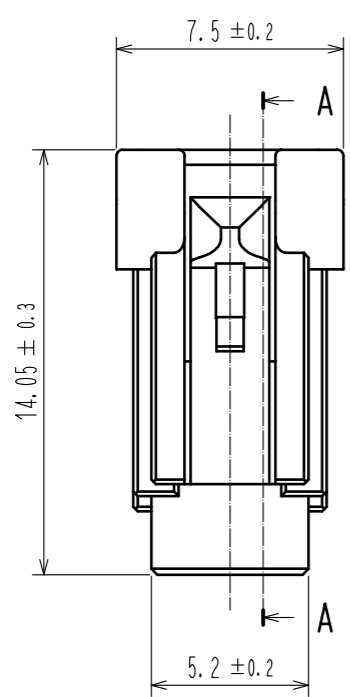
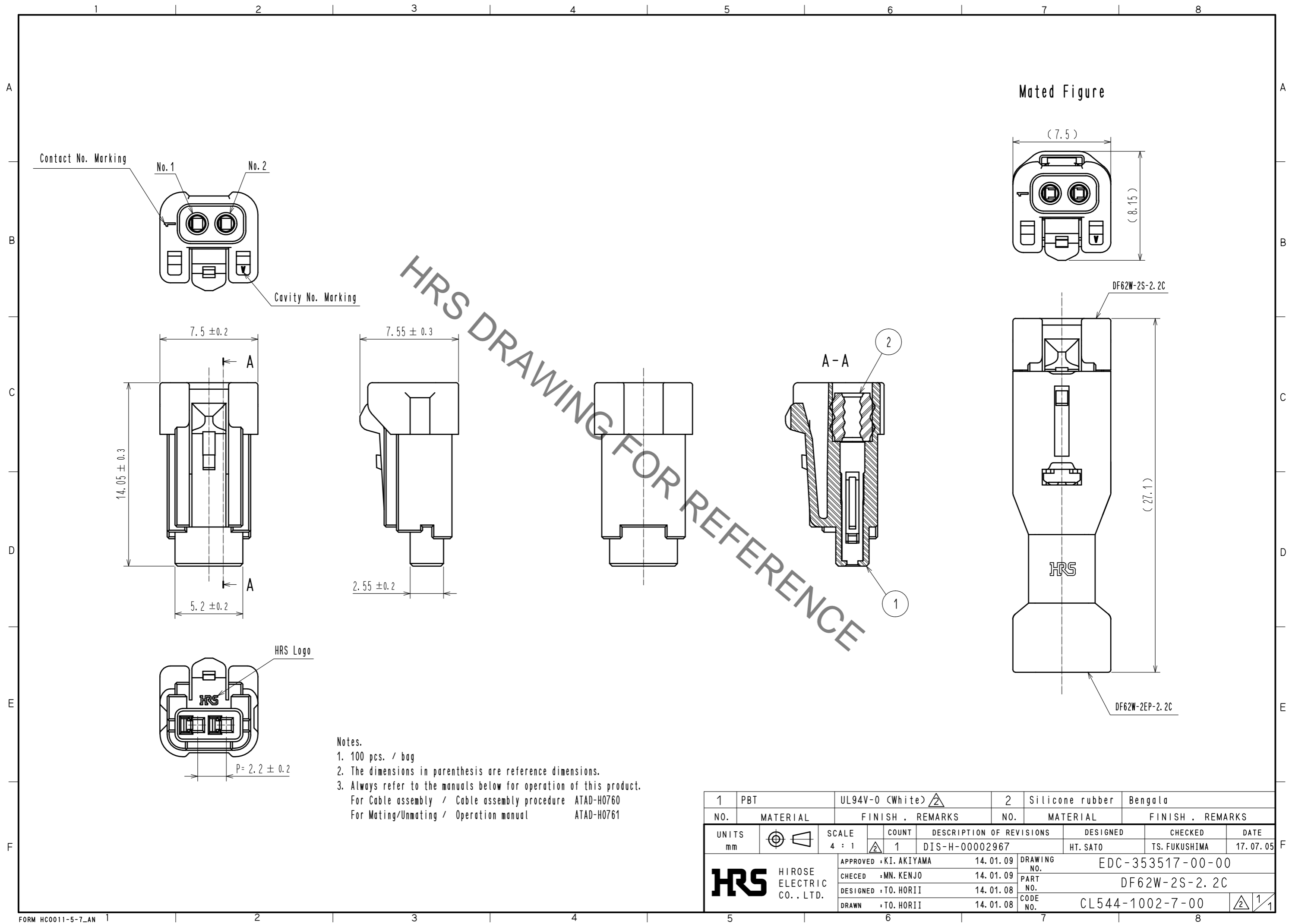


Aug.1.2020 Copyright 2020 HIROSE ELECTRIC CO., LTD. All Rights Reserved.
 In case of consideration for using Automotive equipment / device which demand high reliability, kindly contact our sales window correspondents.



- Notes.
1. 100 pcs. / bag
 2. The dimensions in parenthesis are reference dimensions.
 3. Always refer to the manuals below for operation of this product.
 For Cable assembly / Cable assembly procedure ATAD-H0760
 For Mating/Unmating / Operation manual ATAD-H0761

1	PBT	UL94V-0 (White)	2	Silicone rubber	Bengala
NO.	MATERIAL	FINISH . REMARKS	NO.	MATERIAL	FINISH . REMARKS
UNITS mm		SCALE 4 : 1	COUNT 1	DESCRIPTION OF REVISIONS DIS-H-00002967	DESIGNED HT. SATO
		APPROVED : KI. AKIYAMA	14. 01. 09	DRAWING NO. EDC-353517-00-00	CHECKED TS. FUKUSHIMA
HIROSE ELECTRIC CO., LTD.		CHECED : MN. KENJO	14. 01. 09	PART NO. DF62W-2S-2. 2C	DATE 17. 07. 05
		DESIGNED : TO. HORII	14. 01. 08	CODE NO. CL544-1002-7-00	
		DRAWN : TO. HORII	14. 01. 08		