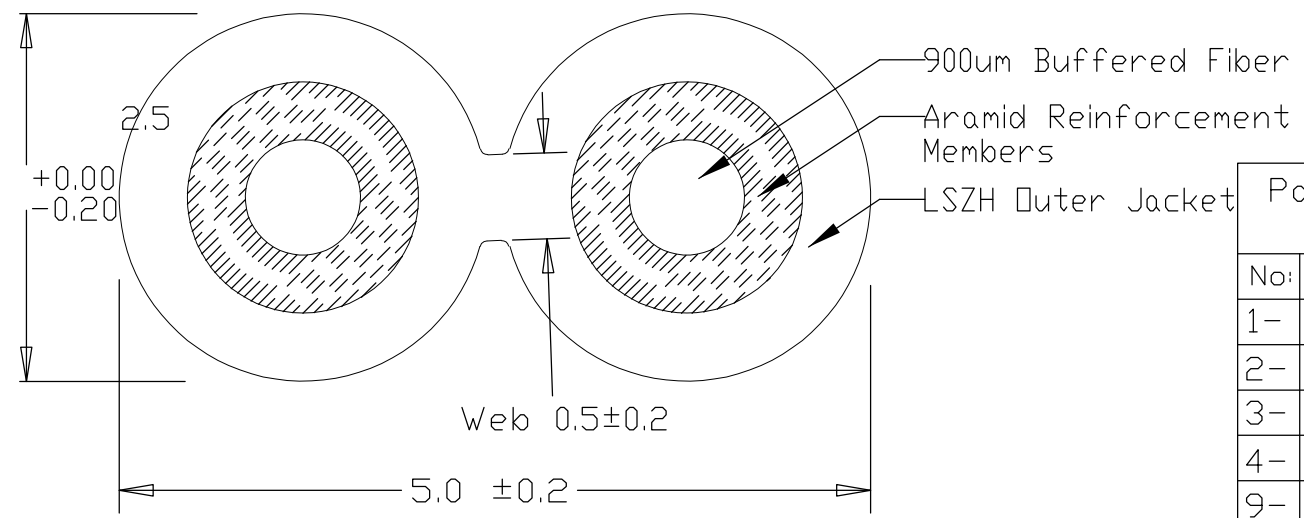
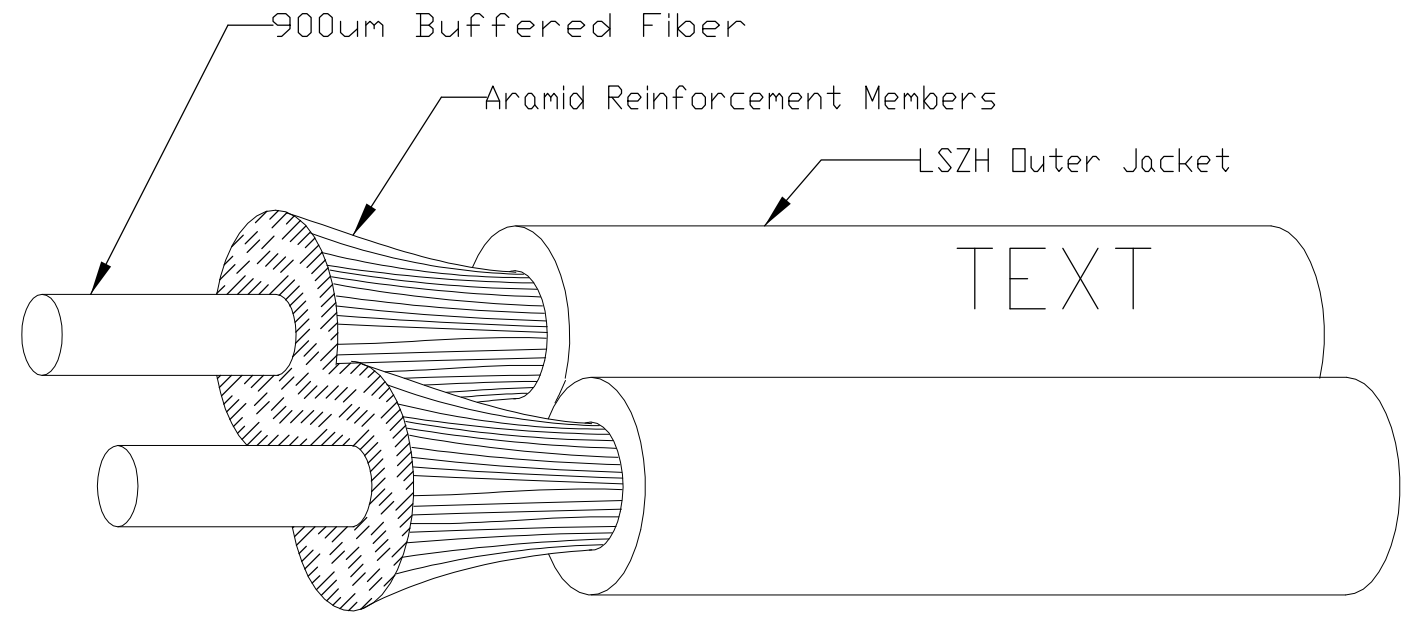


THIS DRAWING IS UNPUBLISHED. RELEASED FOR PUBLICATION -  
 © COPYRIGHT - 2003 BY TYCO ELECTRONICS CORPORATION. ALL RIGHTS RESERVED.

LOC	DIST	REVISIONS			
P	LTR	DESCRIPTION	DATE	DWN	APVD
B		EH02-0093-02	07-MAR-02	RC	AH
C		JZ00-0002-02	29JUL02	PWT	AG
D		JZ00-0007-03	30APR03	LT	AG
E		JZ00-0015-03	17JUL03	LT	AG
F		JZ00-0012-05	21FEB05	LT	AG
G		ECR-09-025118	20NOV09	LST	AG
H		ECR-09-026657	06JAN10	LST	AG
J		ECR-10-019077	15SEPT10	LST	AG
K		ECR-12-013809	12AUG12	LST	AG



Part number prefix	
No:	Length
1-	1 Km
2-	2 Km
3-	3 Km
4-	4 Km
9-	Cut Length

- Outer Jacket Text in contrasting colour  
 Example (excluding Reel no & Meter mark)  
 "AMP NETCONNECT F.O.CABLE X-599142-4 2.5/5.0 TWIN ZIP 9/125um OS1"
- \* Laser Grade Fiber in Table Gigabit Ethernet  
 Maximum Link Distance SX (850nm)/LX (1300nm)

- All fibres shall be LSZH buffered.
- Mechanical Properties of Cable (Tested according to IEC60794-1)  
 Nominal weight 14.0 kg/km  
 Cable Stiffness (twin zip cable split into 2 simplex cables)  
 as per 1-E17C or 1-E17B 250-400 uN.m2  
 Minimum Installation Bend Radius 30 mm  
 Minimum Service Bend Radius 40 mm  
 Maximum Installation Tension 300 N  
 Maximum Service Tension 180 N  
 Crush Resistance 1000 N  
 Operating Temperature Range -10 to + 70 °C  
 Internal Grade Only  
 Low Smoke Zero Halogen materials compliant with  
 Smoke Emission IEC 61034 & 60332-3  
 Fire Propagation IEC 60332-1  
 Toxicity NES 60713  
 Acid Gas Emission IEC 60754-1

4. To meet the requirements of TYCO ELECTRONICS environmental specification 230-702

orange	blue	3.5/1.5	400/1000 *	62.5/125 OM1+	X-599142-9
black	grey	3.5/1.5	160/200	62.5/125 E	X-599142-8
orange	green	3.5/1.5	500/500	50/125 OM2	X-599142-7
orange	green	3.5/1.5	750/2000 *	50/125 OM2+	X-599142-6
orange	blue	3.5/1.5	200/600	62.5/125 OM1	X-599142-5
yellow	yellow	0.5/0.4	single mode	9/125 OS2	X-599142-4
aqua	green	3.5/1.5	1500/500	50/125 OM3	X-599142-3
aqua	green	3.5/1.5	3500/500	50/125 OM4	X-599142-2
blue	orange	3.5/1.5	160/500	62.5/125 S	X-599142-1
Jacket Colour	Buffer Colour	Max Cabled fibre attn. loss db/km @ 850/1300nm for Multi mode and @ 1310/1550nm for Single mode		Bandwidth @ 850/1300nm	Fiber Type Amp Part Number

THIS DRAWING IS A CONTROLLED DOCUMENT FOR TYCO ELECTRONICS CORPORATION IT IS SUBJECT TO CHANGE AND THE CONTROLLING ENGINEERING ORGANIZATION SHOULD BE CONTACTED FOR THE LATEST REVISION.

DIMENSIONS: mm	TOLERANCES UNLESS OTHERWISE SPECIFIED:	DWN 21FEB05 L. Taylor	Tyco Electronics UK Ltd Bodelwyddan, Denbighshire, LL18 5TZ UK
	0 PLC ±0,2 1 PLC ±0,1 2 PLC ±0,05 3 PLC ±0,025 4 PLC ±0,005 ANGLES ±0,5	CHK D. Walker APVD A. Gibbons PRODUCT SPEC - APPLICATION SPEC - WEIGHT -	
MATERIAL -	FINISH -	NAME FOCAB 2.5TZ FIBER OPTIC CABLE 2.5 x 5.0 TWIN ZIP	
		SIZE A3	CAGE CODE 00779
		DRAWING NO C-599142	
		RESTRICTED TO -	
		CUSTOMER DRAWING	SCALE NTS SHEET 1 OF 1 REV K