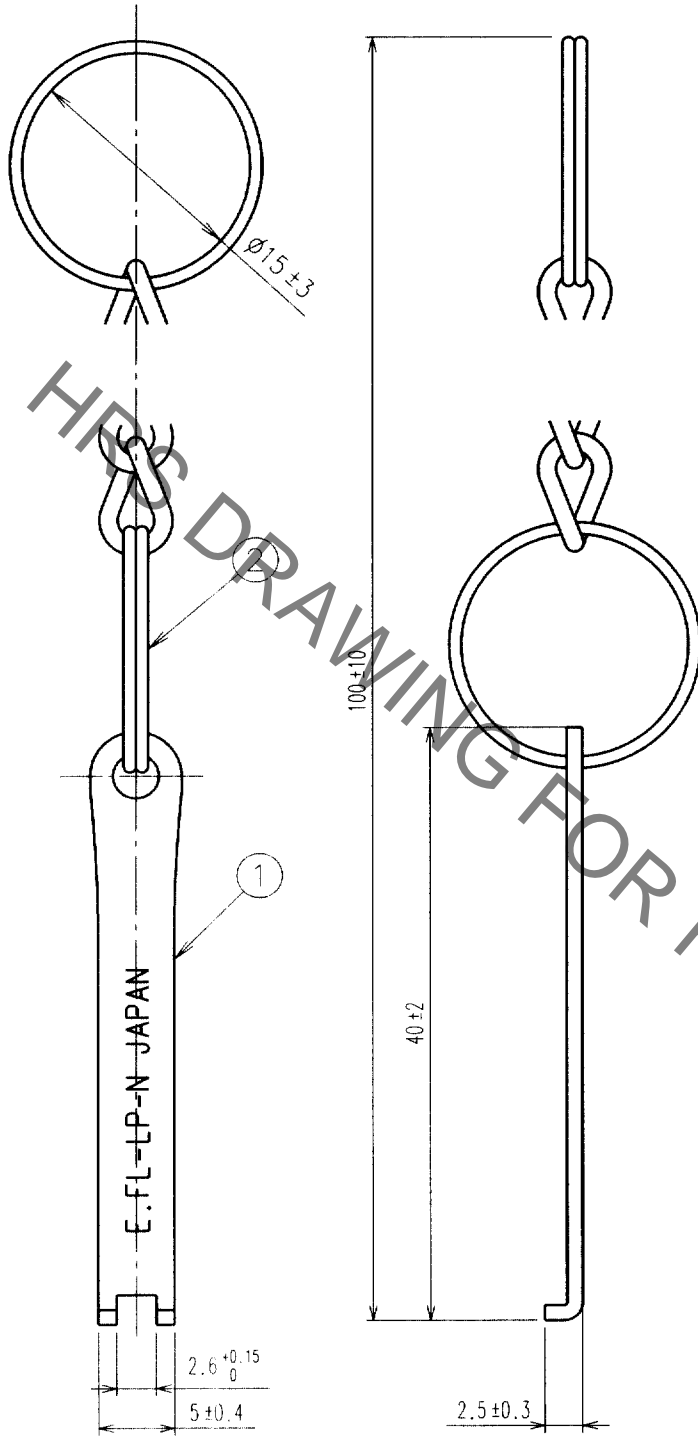


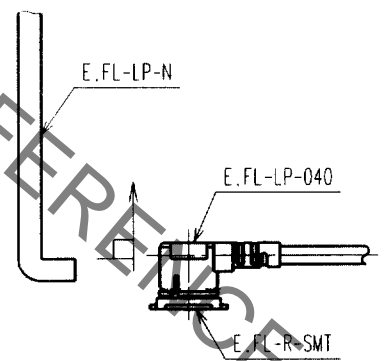
Sep. 1. 2020 Copyright 2020 HIROSE ELECTRIC CO., LTD. All Rights Reserved.
In case of consideration for using Automotive equipment / device which demand high reliability, kindly contact our sales window correspondents.

COUNT	DESCRIPTION OF REVISIONS	BY	CHKD	DATE	COUNT	DESCRIPTION OF REVISIONS	BY	CHKD	DATE
△ 1	RE-D-03539	K.I	IM	99.8.23	△				
△					△				
△					△				



NOTES

△ 1. THIS JIG IS FOR WITHDRAWING E.FL-LP AND U.FL-LP CONNECTOR. L-SHAPED BENDING PORTION OF THIS JIG SHALL BE INSERTED INTO CONNECTOR AND HOOKED ON THE CONNECTOR CAP AND WITHDRAWN.



2. ONE EXAMPLE OF SHAPE OF CHAIN, REF. No. IS SHOWN.

1	STAINLESS STEEL	PASSIVATE	2	STEEL	NICKEL PLATED
NO.	MATERIAL	FINISH, REMARKS	NO.	MATERIAL	FINISH, REMARKS
CODE NO. (OLD) CL		DRAWN T.KOMATU 95. 3 .28	DESIGNED K.IKEDA 95. 3 .29	CHECKED I.MITANI 95. 3 .29	APPROVED F.KOBAYASI 95. 3 .30
DRAWING NO. EDC4-130574		PART NO. E.FL-LP-N			
SCALE 2 : 1		CODE NO. CL331-0441-9			1/1
UNITS mm		HRS HIROSE ELECTRIC CO., LTD.			

TO
RF