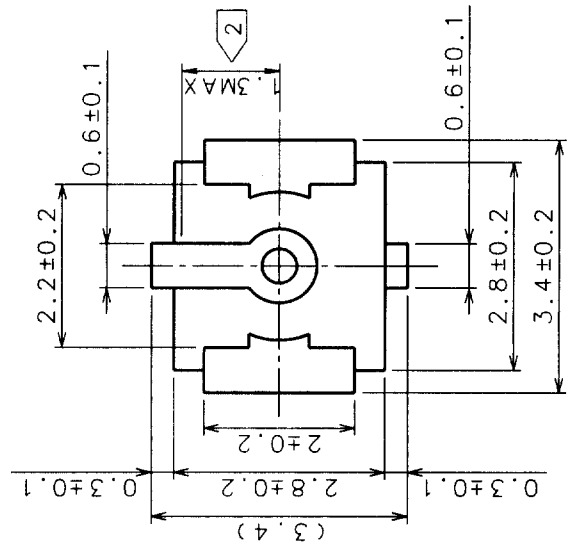
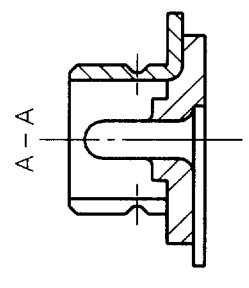
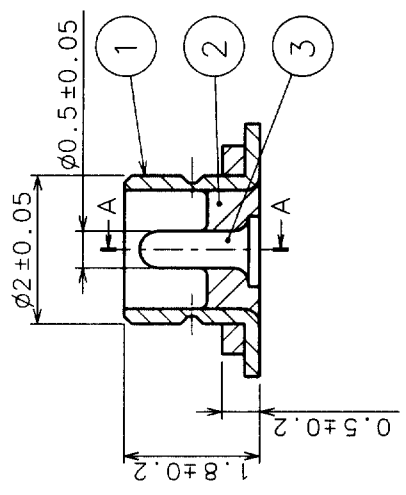
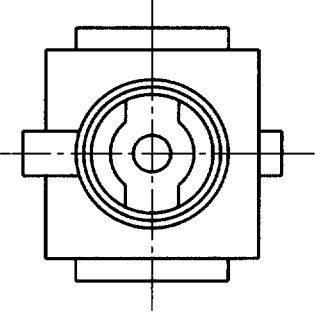


In case of consideration for using Automotive equipment / device which demand high reliability, kindly contact our sales window correspondents.

COUNT	DESCRIPTION OF REVISIONS	BY	CHKD	DATE	COUNT	DESCRIPTION OF REVISIONS	BY	CHKD	DATE
△					△				
△					△				
△					△				



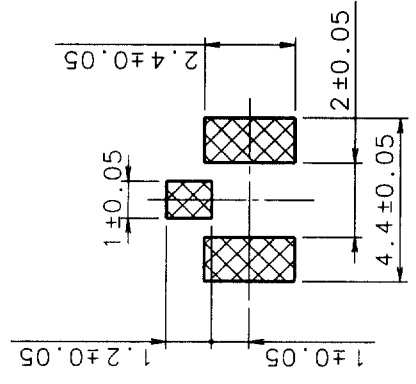
NOTE 1: THE QUANTITY OF E.FL-R-SMT(01) IS 100 CONNECTORS PER PACK.

2: THIS DIMENSION SHOWS THE ALLOWABLE RANGE THAT THE RESIN IS PUT OVER THE CENTER CONTACT.

3: LEAD CO-PLANARITY SHALL BE 0.1 MAX.

HRS DRAWING FOR REFERENCE

RECOMMENDED PC BOARD  
PATTERN DRAWING(5:1)



2	LCP	(BLACK). UL94V-0			
1	PHOSPHOR BRONZE	SILVER PLATED	3	BRASS	GOLD PLATED
NO.	MATERIAL	FINISH, REMARKS	NO.	MATERIAL	FINISH, REMARKS
CODE NO. (OLD)		DRAWN		DESIGNED	
					APPROVED
					RELEASED
DRAWING NO.		PART NO.		E.FL-R-SMT(01)	
SCALE		EDC3-130348-01			
UNITS		10 : 1			
		HRS		HIROSE ELECTRIC CO., LTD.	
		CL331-0421-1-01			
		1			

