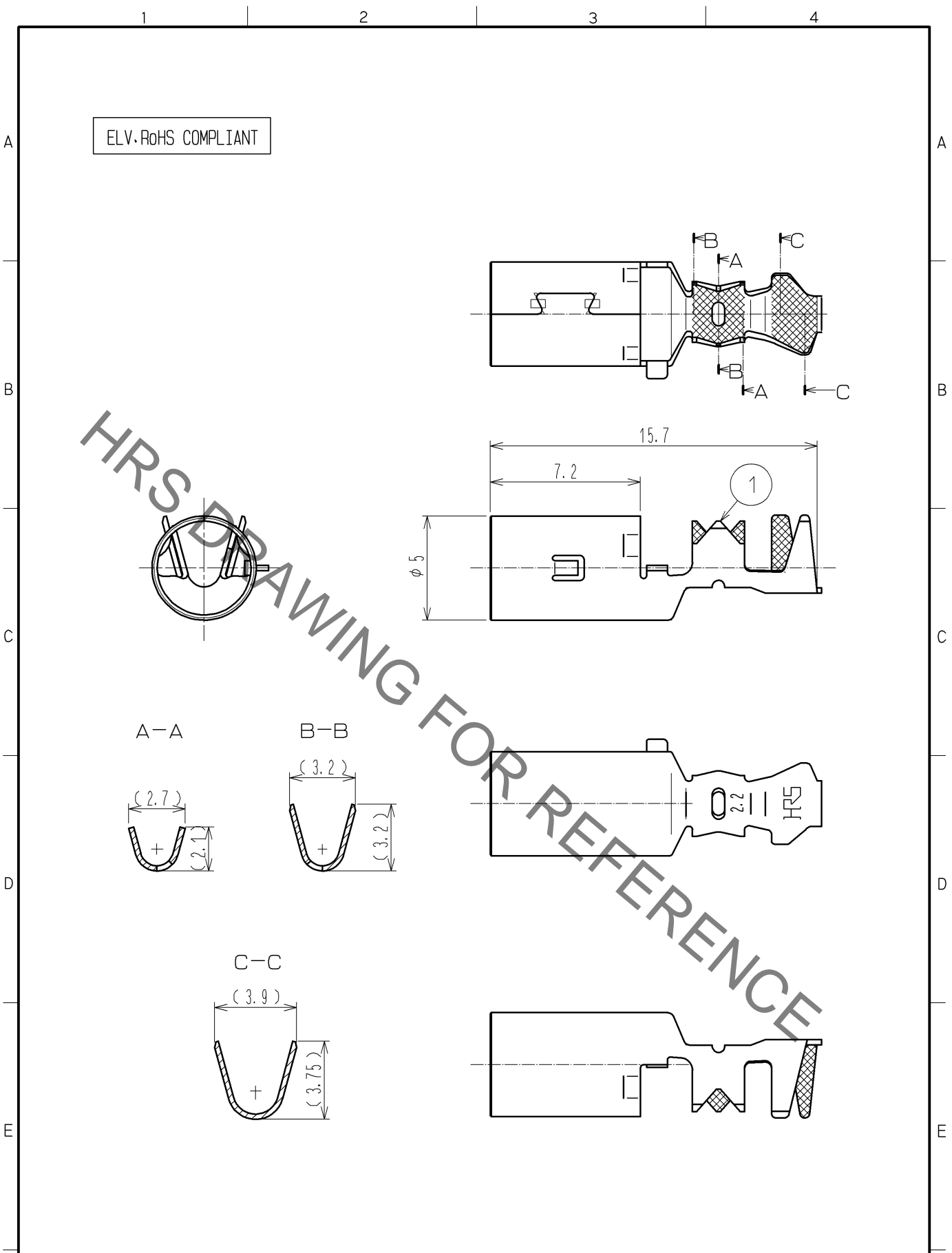


Sep.1.2020 Copyright 2020 HIROSE ELECTRIC CO., LTD. All Rights Reserved.
 In case of consideration for using Automotive equipment / device which demand high reliability, kindly contact our sales window correspondents.



1	PHOSPHOR BRONZE	TIN PLATED						
NO.	MATERIAL	FINISH .	REMARKS	NO.	MATERIAL	FINISH .	REMARKS	
UNITS mm		SCALE 4 : 1	COUNT 	DESCRIPTION OF REVISIONS		DESIGNED	CHECKED	DATE
HIROSE ELECTRIC CO., LTD.	APPROVED	: KS. SATOH	09. 03. 30	DRAWING NO.		EDC4-166957-00		
	CHECKED	: MO. OKADA	09. 03. 30	PART NO.		GT16- /1. 1-2. 2SC		
	DESIGNED	: MH. YAMAGUCHI	09. 03. 27	CODE NO.		CL766-0088-0-00		
	DRAWN	: MH. YAMAGUCHI	09. 03. 27			1/1		