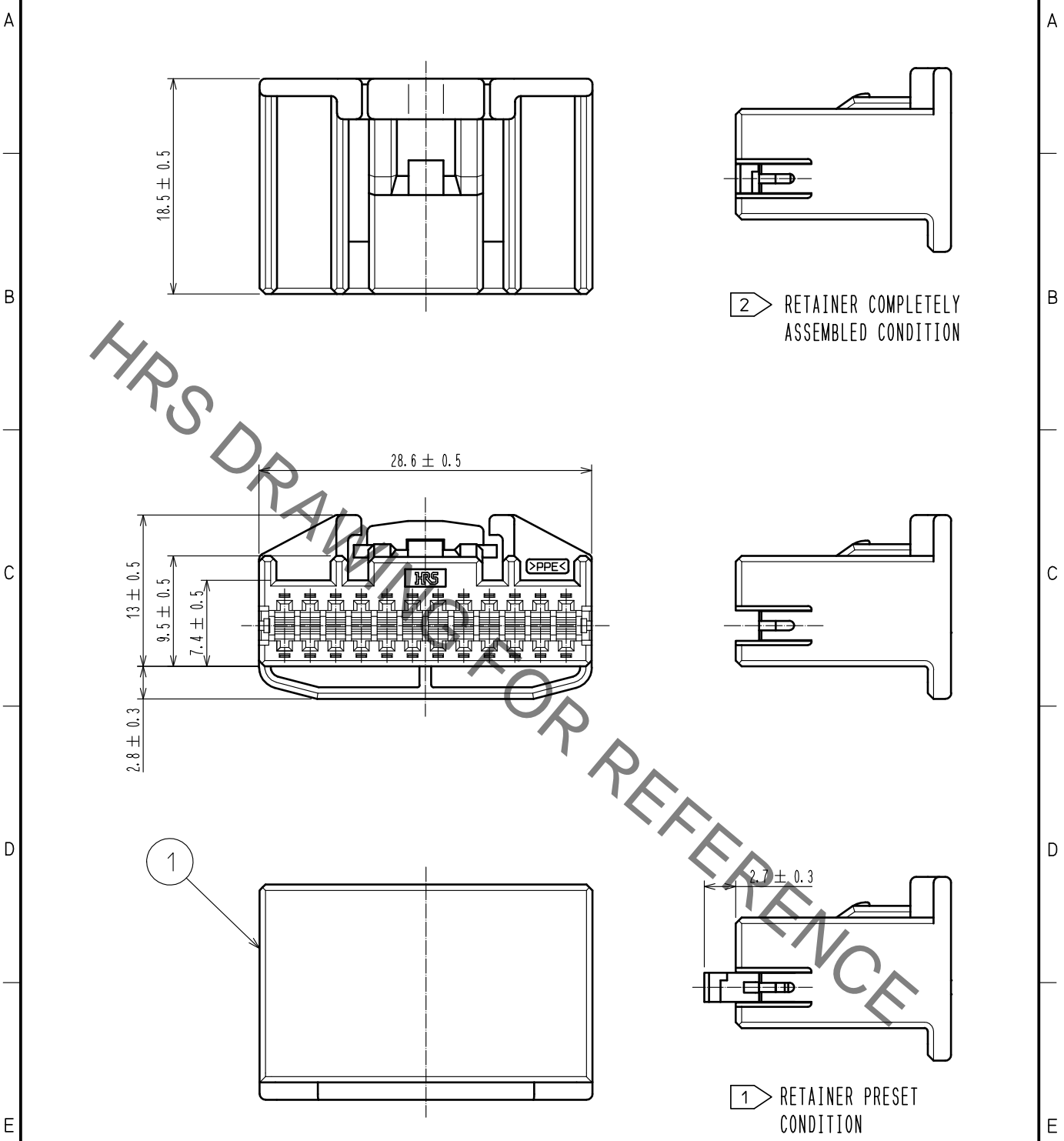


Aug.1.2020 Copyright 2020 HIROSE ELECTRIC CO., LTD. All Rights Reserved.
 In case of consideration for using Automotive equipment / device which demand high reliability, kindly contact our sales window correspondents.

ELV. RoHS COMPLIANT



NOTE. 1 Use this product with retainer GT25-24DS-R preset.
 Retainer GT25-24DS-R product No. : CL0775-0069-7
 NOTE. 2 RETAINER TO BE COMPLETELY ASSEMBLED INTO POSITION AFTER CONTACT IS INSERTED.

1	PPE	BLACK							
NO.	MATERIAL	FINISH .	REMARKS	NO.	MATERIAL	FINISH .	REMARKS		
UNITS mm		SCALE 2 : 1	COUNT 	DESCRIPTION OF REVISIONS			DESIGNED	CHECKED	DATE
HRS HIROSE ELECTRIC CO., LTD.	APPROVED	: AR. SHIRAI	15. 02. 17	DRAWING NO.			EDC4-169603-00		
	CHECKED	: MO. OKADA	15. 02. 17	PART NO.			GT25-24DS-HU		
	DESIGNED	: TK. SHISHIKURA	15. 02. 16	CODE NO.			CL775-0068-4-00		
	DRAWN	: TK. SHISHIKURA	15. 02. 16				1/1		