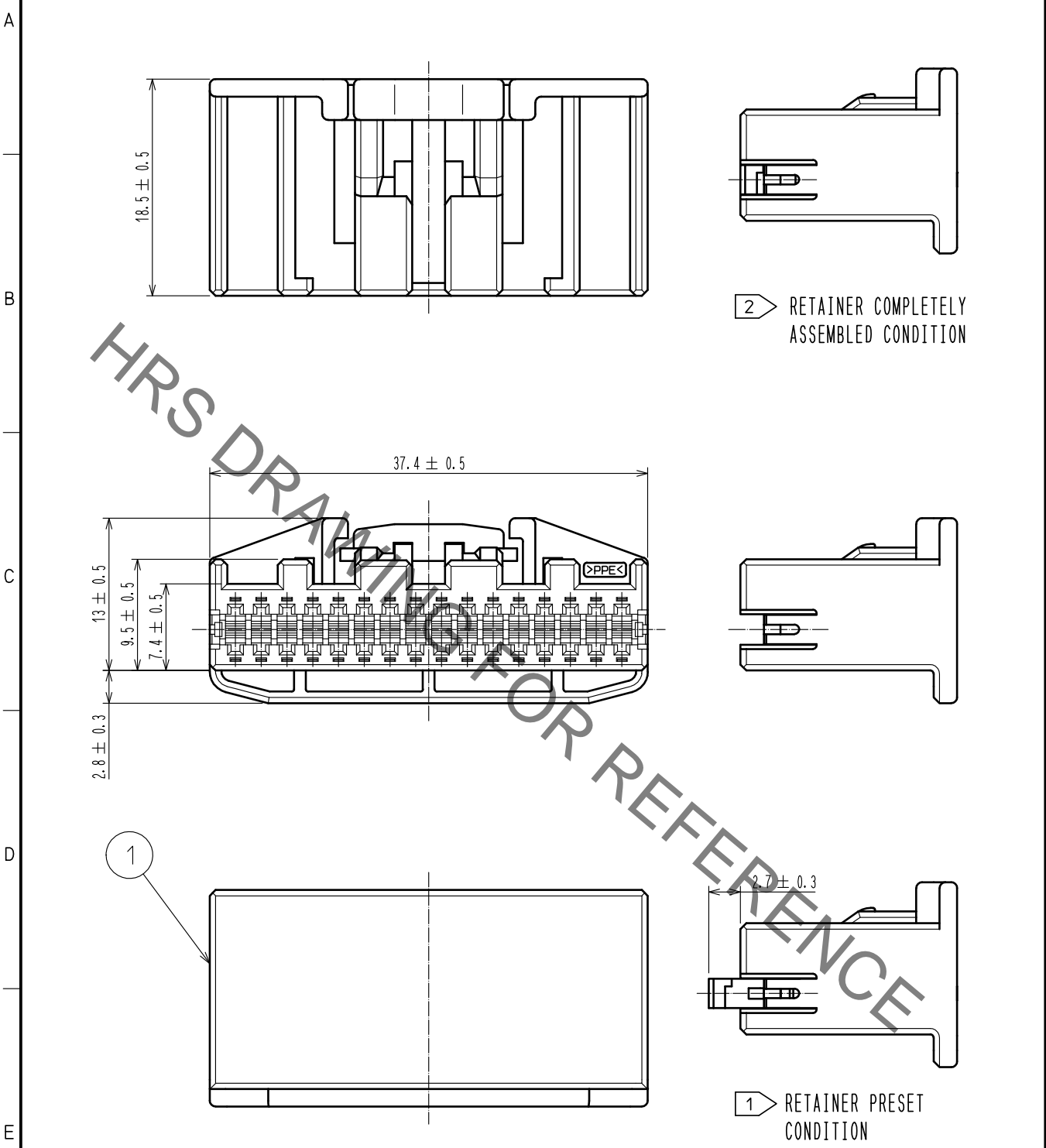


Sep. 1. 2020 Copyright 2020 HIROSE ELECTRIC CO., LTD. All Rights Reserved.  
In case of consideration for using Automotive equipment / device which demand high reliability, kindly contact our sales window correspondents.

ELV. RoHS COMPLIANT



NOTE. 1 Use this product with retainer GT25-32DS-R preset.  
Retainer GT25-32DS-R product No. : CL0775-0043-3  
NOTE. 2 RETAINER TO BE COMPLETELY ASSEMBLED INTO POSITION AFTER CONTACT IS INSERTED.

1	PPE	BLACK						
NO.	MATERIAL	FINISH	REMARKS	NO.	MATERIAL	FINISH	REMARKS	
UNITS mm		SCALE 2 : 1	COUNT 	DESCRIPTION OF REVISIONS		DESIGNED	CHECKED	DATE
HIROSE ELECTRIC CO., LTD.		APPROVED : AR. SHIRAI	15. 02. 17	DRAWING NO.		EDC-169051-00-00		
		CHECKED : MO. OKADA	15. 02. 17	PART NO.		GT25-32DS-HU		
		DESIGNED : TK. SHISHIKURA	15. 02. 17	CODE NO.		CL775-0042-0-00		
		DRAWN : TK. SHISHIKURA	15. 02. 17					1/1