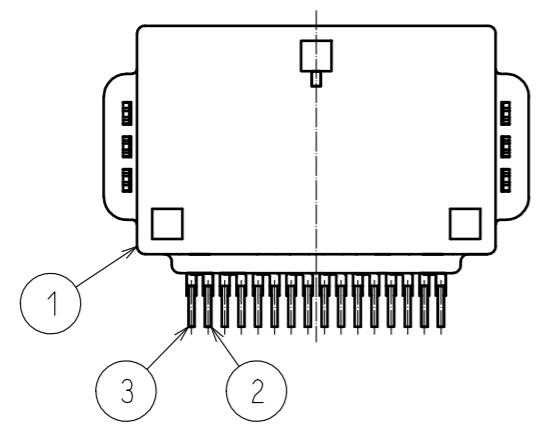
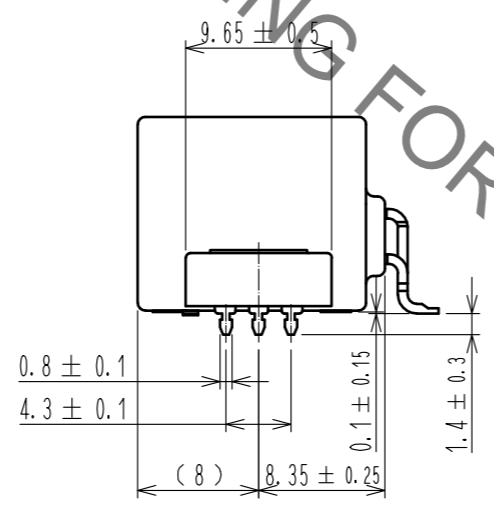
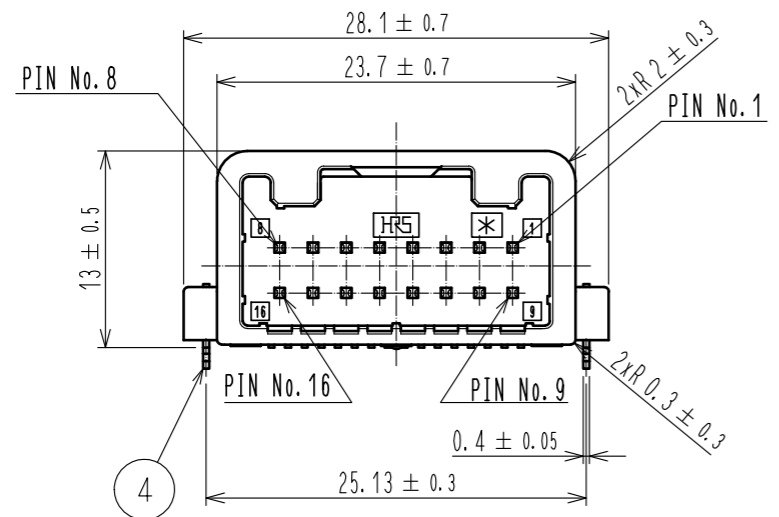
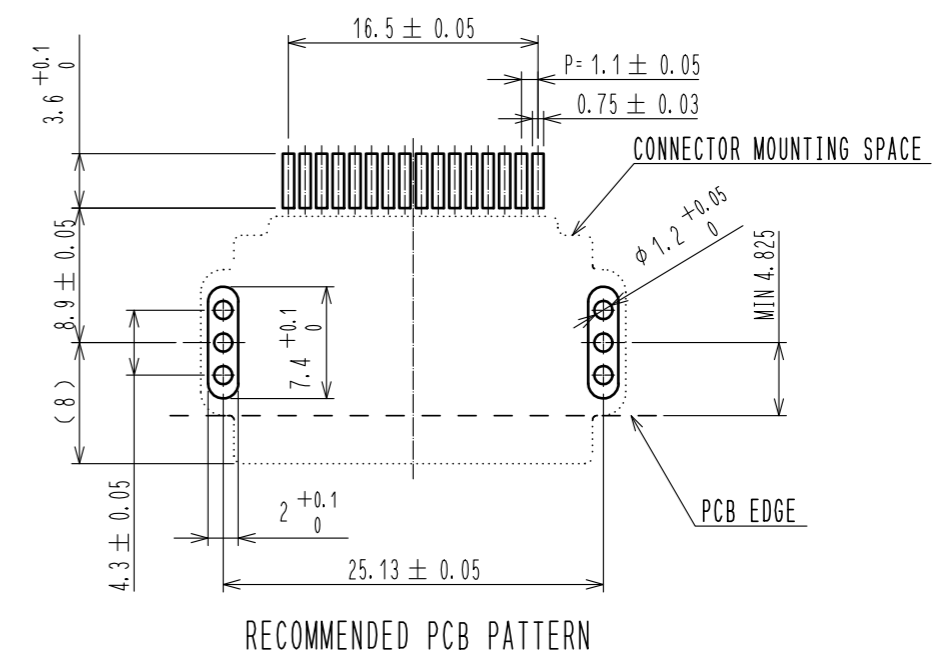
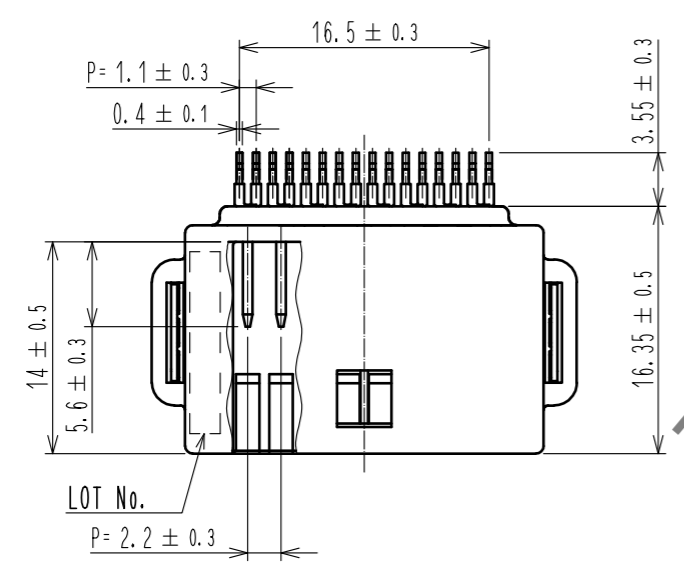
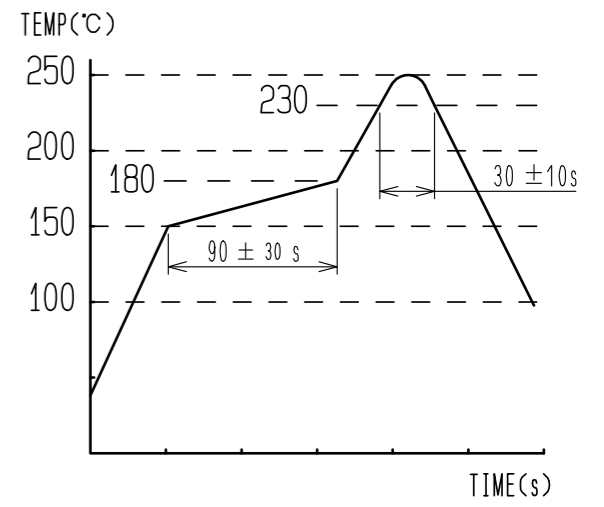


ELV, RoHS COMPLIANT

PIN ASSIGNMENT  
 8 7 6 5 4 3 2 1  
 16 15 14 13 12 11 10 9



- NOTE 1. RECOMMENDED TEMPERATURE PROFILE FOR REFLOW (REFER TO RIGHT FIG.)  
 USED REFLOW SYSTEM : IR IN THE AIR OR NITROGEN  
 NO. OF CYCLES : 2 MAX  
 PEAK : 250°C  
 OVER 230°C : 20~40s  
 PREHEAT : 150~180°C  
 60~120s  
 2. TEMPERATURE FOR SOLDERING IRON : 280~300°C WITHIN 2s  
 3. CO-PLANARITY SHALL BE 0.1mm MAX.  
 4. RECOMMENDED PCB THICKNESS IS 1.6mm.  
 5. RECOMMENDED SOLDER THICKNESS IS 0.15mm.



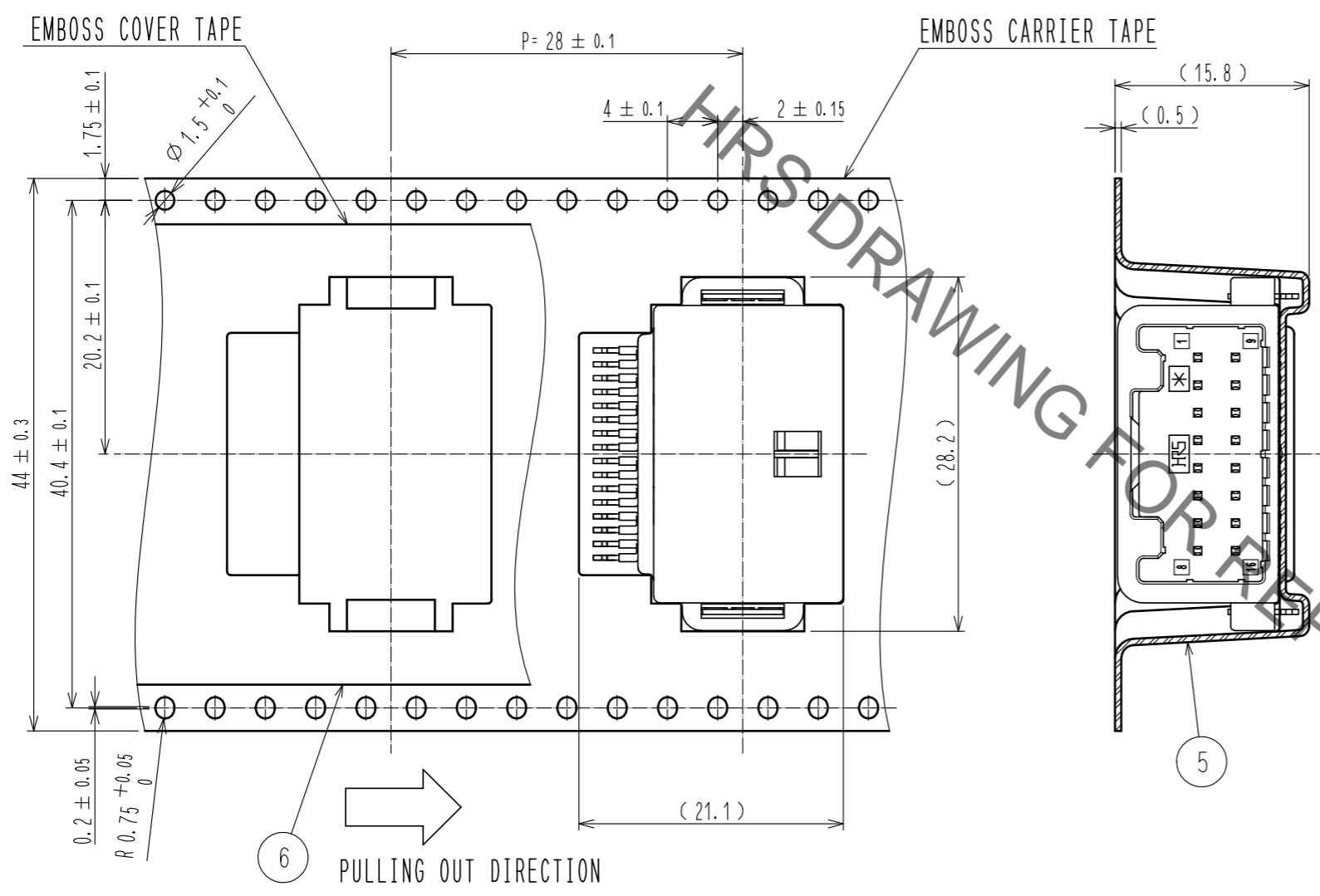
3	BRASS	TIN PLATED T=0.64	6	PET				
2	BRASS	TIN PLATED T=0.64	5	PS				
1	PPS	BLACK	4	BRASS	TIN PLATED T=0.4			
NO.	MATERIAL	FINISH . REMARKS	NO.	MATERIAL	FINISH . REMARKS			
UNITS	mm	SCALE	2 : 1	COUNT	DESCRIPTION OF REVISIONS	DESIGNED	CHECKED	DATE
<b>HRS</b> HIROSE ELECTRIC CO., LTD.		APPROVED : NH. NAKATA	16.03.28	DRAWING NO. EDC-361741-00-00				
		CHECKED : HS. OZAWA	16.03.27	PART NO. GT25H2-16DP-2.2H				
		DESIGNED : TK. SHISHIKURA	16.03.26	CODE NO. CL775-0089-4-00				
		DRAWN : TK. SHISHIKURA	16.03.26					

HRS DRAWING FOR REFERENCE

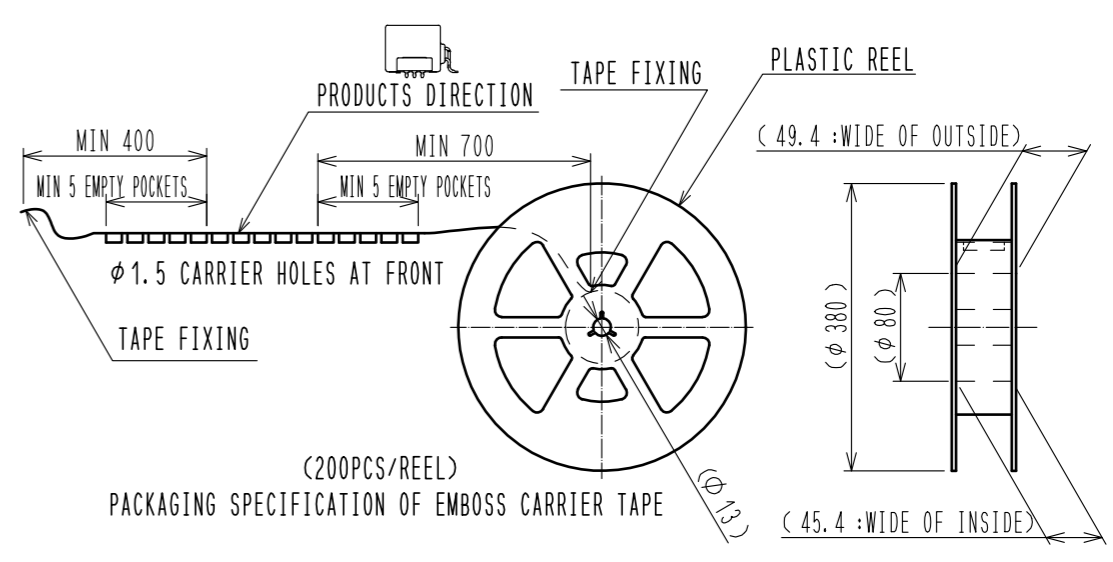
In case of consideration for using Automotive equipment / device which demand high reliability, kindly contact our sales window correspondents.

Sep.1.2020 Copyright 2020 HIROSE ELECTRIC CO., LTD. All Rights Reserved.  
 In case of consideration for using Automotive equipment / device which demand high reliability, kindly contact our sales window correspondents.

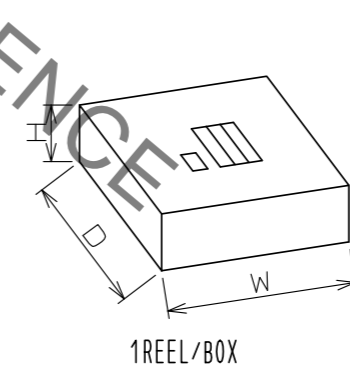
# PACKAGING SPECIFICATION



## REEL DIMENSION(FREE)



## CARDBOARD DIMENSION(FREE)



<b>HRS</b>	DRAWING NO.	EDC-361741-00-00
	PART NO.	GT25H2-16DP-2.2H
	CODE NO.	CL775-0089-4-00
		2/2