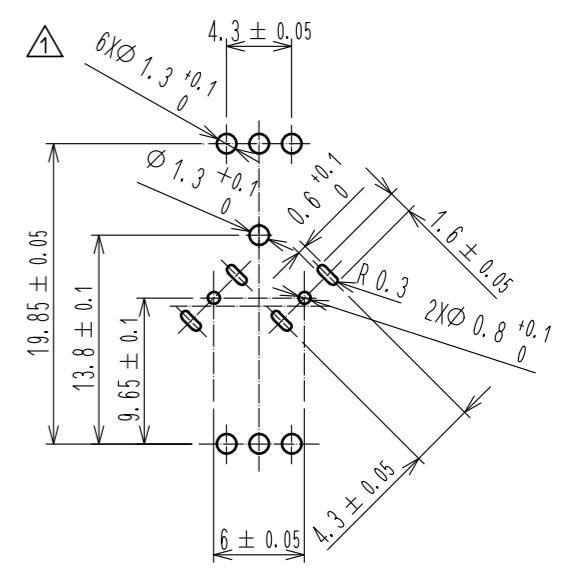
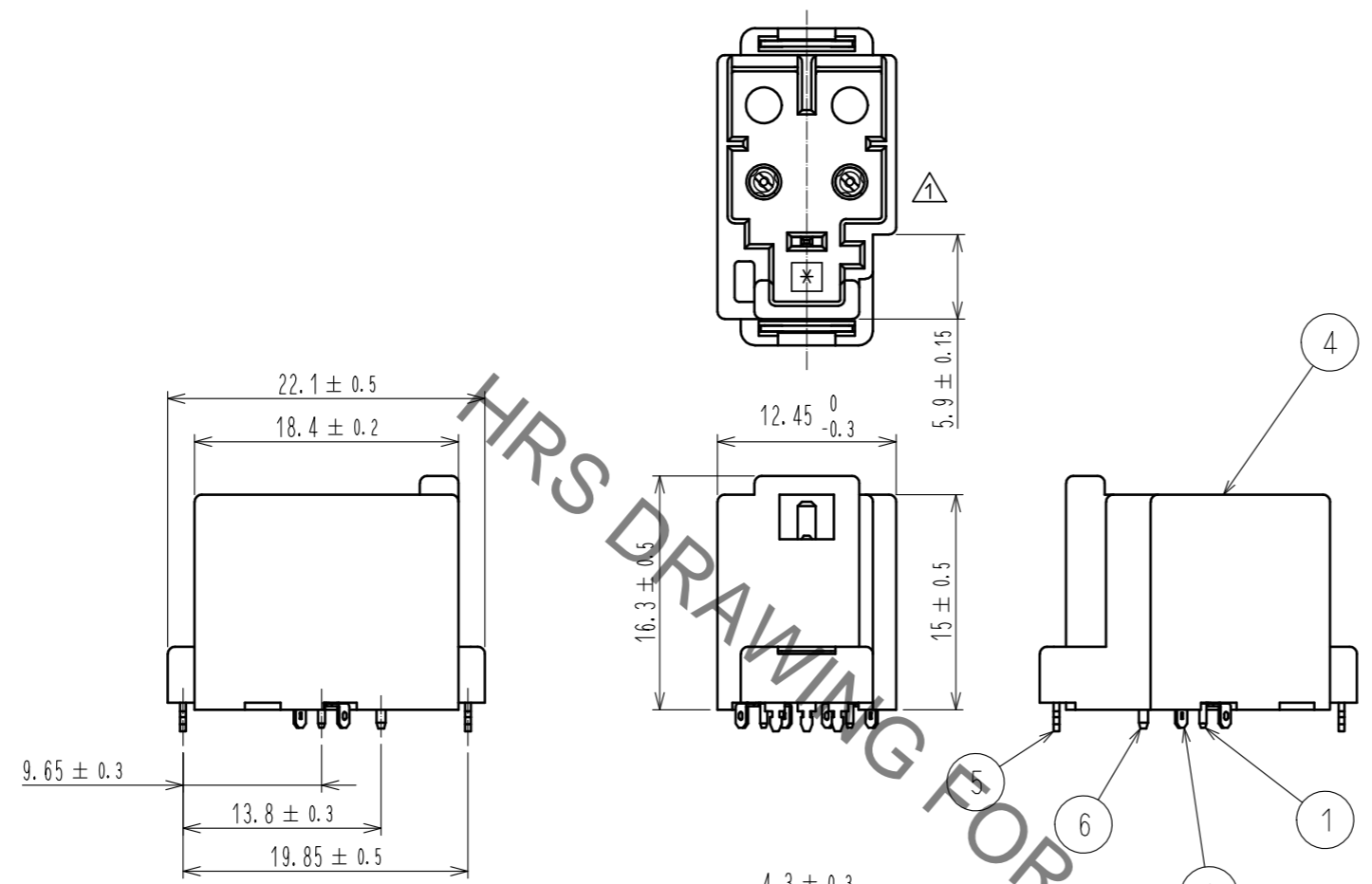
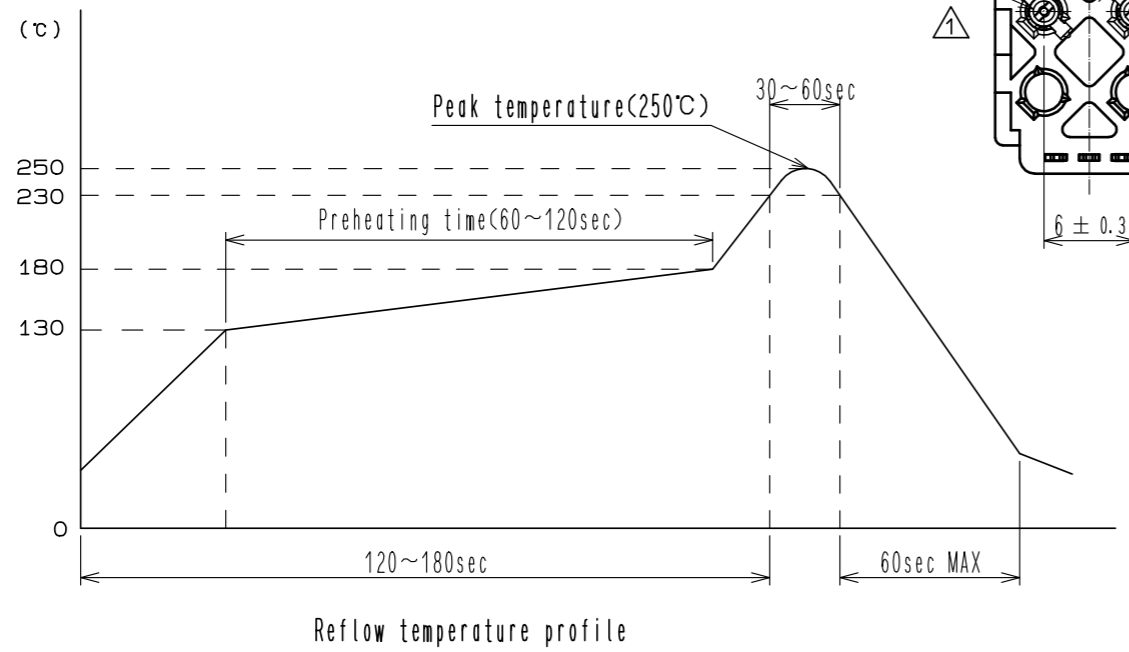
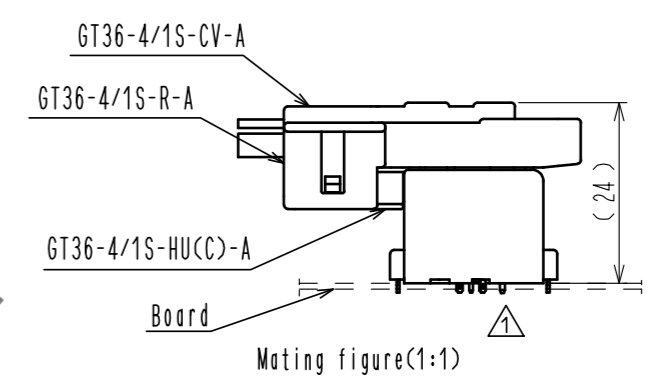


Sep.1.2020 Copyright 2020 HIROSE ELECTRIC CO., LTD. All Rights Reserved.
 In case of consideration for using Automotive equipment / device which demand high reliability, kindly contact our sales window correspondents.

ELV. RoHS COMPLIANT



Recommended board pattern



Reflow temperature profile

HRS DRAWING FOR REFERENCE

NO.	MATERIAL	FINISH . REMARKS	NO.	MATERIAL	FINISH . REMARKS
4	PA	BLUE	8	POLYESTER	CLEAR (COVER TAPE)
3	Cu Alloy	TIN PLATING	7	PS	CLEAR (EMBOSSED CARRIER TAPE)
2	PA	NATURAL	6	Cu Alloy	TIN PLATING
1	Cu Alloy	TIN PLATING	5	Cu Alloy	TIN PLATING

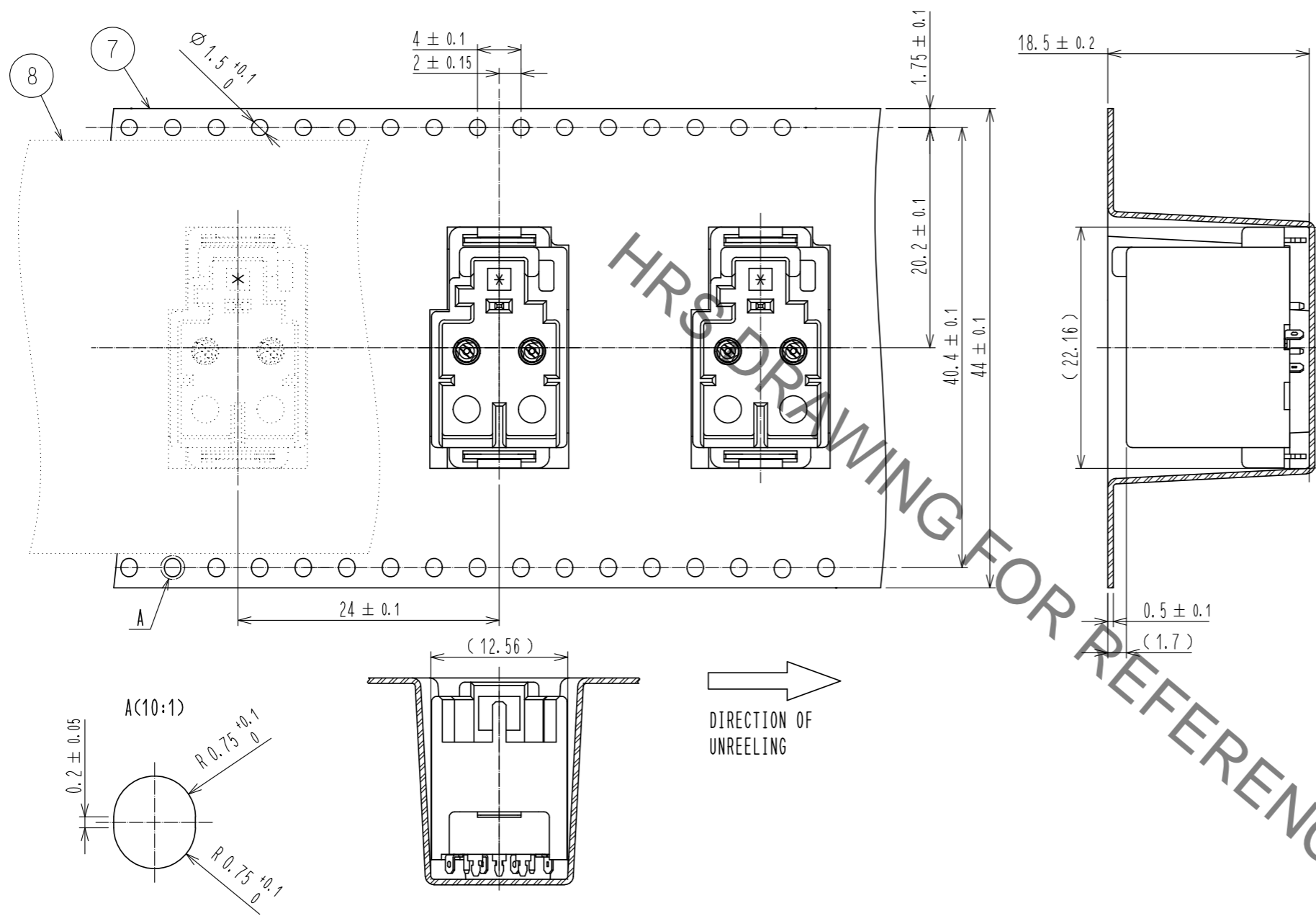
UNITS	SCALE	COUNT	DESCRIPTION OF REVISIONS	DESIGNED	CHECKED	DATE
mm	2 : 1	6	DIS-T-00001743	TK. SUZUKI	AR. SHIRAI	17. 03. 08

APPROVED	DATE	DRAWING NO.
•NH. NAKATA	16. 02. 19	EDC-355525-00-00
CHECKED	DATE	PART NO.
•NH. NAKATA	16. 02. 19	GT36-4AB1P-DSAC
DESIGNED	DATE	CODE NO.
•TK. SUZUKI	16. 02. 19	CL786-0077-9-00
DRAWN	DATE	
•TK. SUZUKI	16. 02. 19	

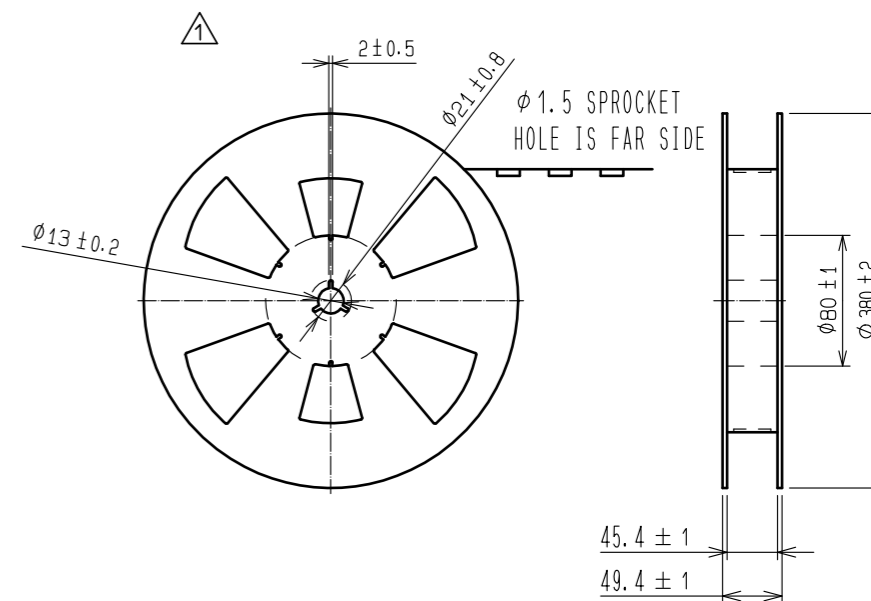
Sep.1.2020 Copyright 2020 HIROSE ELECTRIC CO., LTD. All Rights Reserved.
 In case of consideration for using Automotive equipment / device which demand high reliability, kindly contact our sales window correspondents.

ELV. RoHS COMPLIANT 

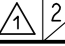
EMBOSSED CARRIER TAPE DIMENSIONS (FREE)



STYLE AND DIMENTION OF REEL (FREE)



NOTES) 1. PER REEL 200 CONNECTORS.

HRS	DRAWING NO.	EDC-355525-00-00
	PART NO.	GT36-4AB1P-DSAC
	CODE NO.	CL786-0077-9-00
		 2/2