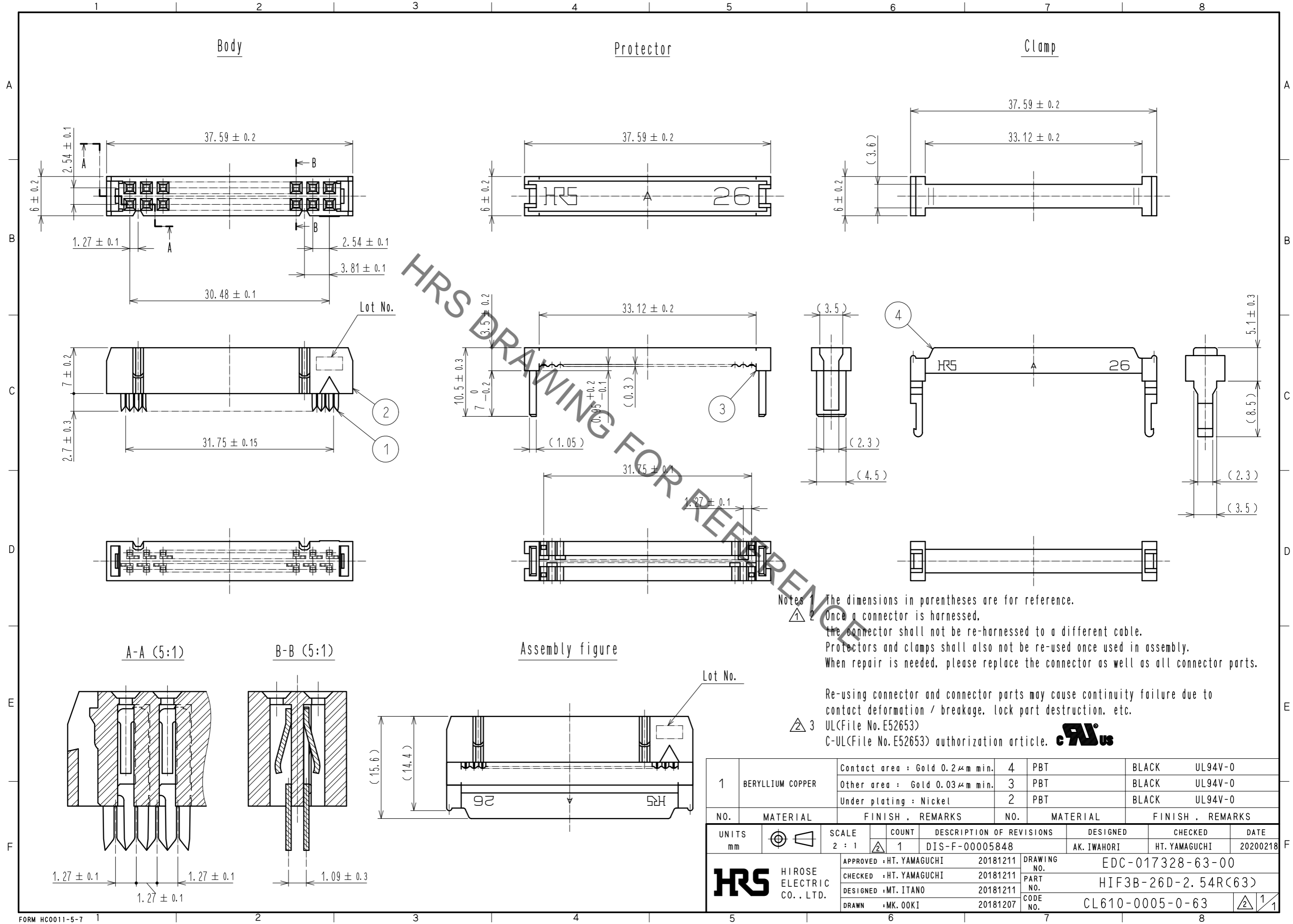


Sep.1.2020 Copyright 2020 HIROSE ELECTRIC CO., LTD. All Rights Reserved.  
 In case of consideration for using Automotive equipment / device which demand high reliability, kindly contact our sales window correspondents.



Notes  
 △ 2 The dimensions in parentheses are for reference.  
 Once a connector is harnessed,  
 the connector shall not be re-harnessed to a different cable.  
 Protectors and clamps shall also not be re-used once used in assembly.  
 When repair is needed, please replace the connector as well as all connector parts.

△ 3 Re-using connector and connector parts may cause continuity failure due to contact deformation / breakage, lock part destruction, etc.  
 UL(File No. E52653)  
 C-UL(File No. E52653) authorization article. **UL**

1	BERYLLIUM COPPER	Contact area : Gold 0.2 μm min.	4	PBT	BLACK	UL94V-0
		Other area : Gold 0.03 μm min.	3	PBT	BLACK	UL94V-0
		Under plating : Nickel	2	PBT	BLACK	UL94V-0
NO.	MATERIAL	FINISH . REMARKS	NO.	MATERIAL	FINISH . REMARKS	
UNITS	mm	SCALE	COUNT	DESCRIPTION OF REVISIONS		DESIGNED
		2 : 1	1	DIS-F-00005848		AK. IWAHORI
		APPROVED : HT. YAMAGUCHI	20181211	DRAWING NO.		EDC-017328-63-00
		CHECKED : HT. YAMAGUCHI	20181211	PART NO.		HIF3B-26D-2.54R(63)
		DESIGNED : MT. ITANO	20181211	CODE NO.		CL610-0005-0-63
		DRAWN : MK. OOKI	20181207			1/1