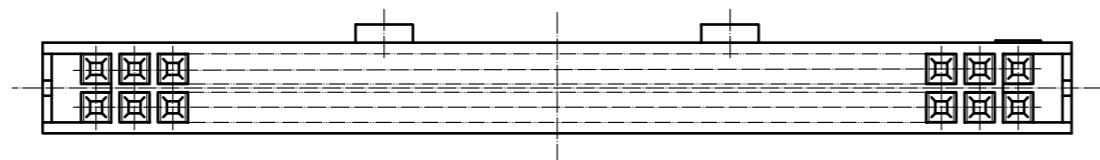
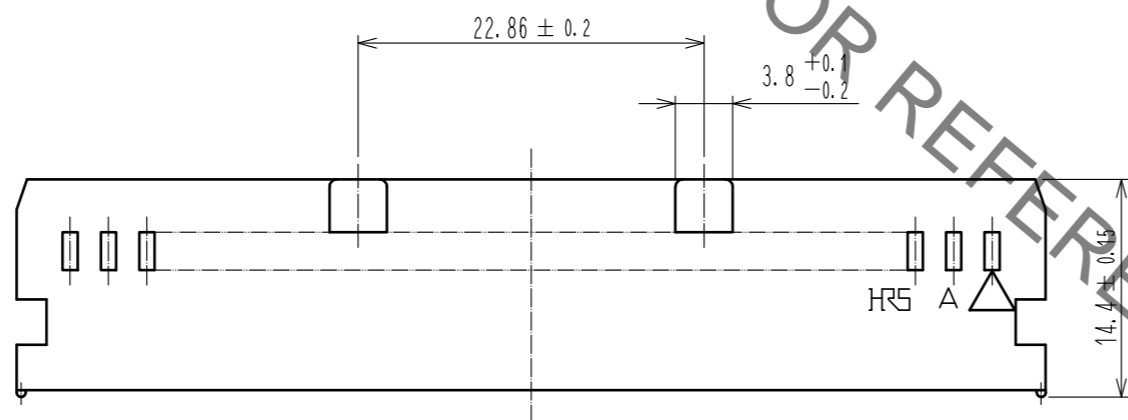
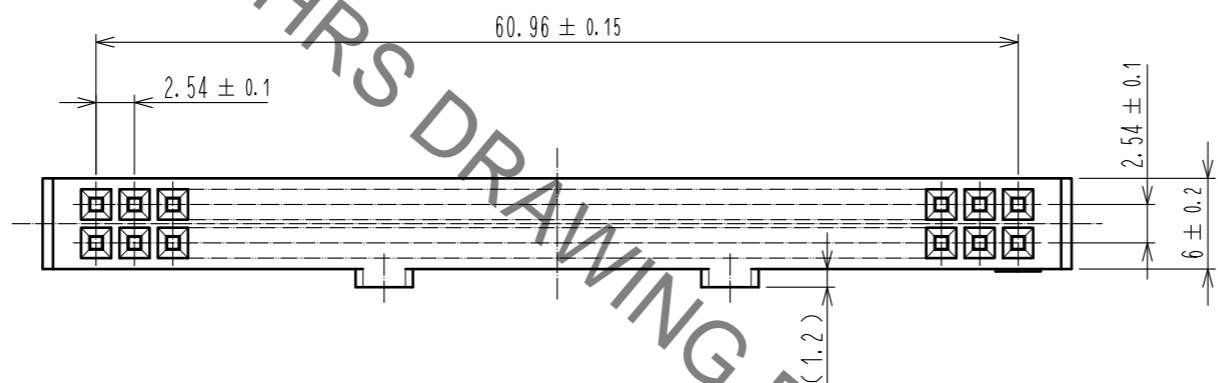
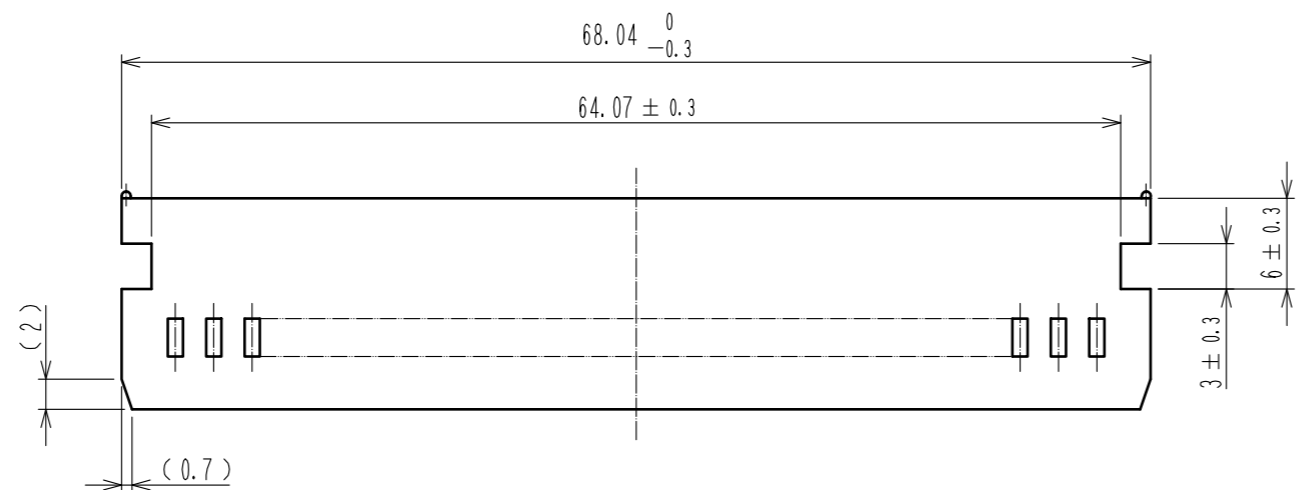


Sep.1.2020 Copyright 2020 HIROSE ELECTRIC CO., LTD. All Rights Reserved.
In case of consideration for using Automotive equipment / device which demand high reliability, kindly contact our sales window correspondents.



Notes 1 The dimensions in parentheses are for reference.
 2 UL(File No. E52653)
 C-UL(File No. E52653) authorization article.



| 1 | PBT | BLACK | UL94V-0 | | | | | |
|--------------------------------------|----------|--------------------------|----------|--------------------------|----------|-----------------------|---------------|----------|
| NO. | MATERIAL | FINISH | REMARKS | NO. | MATERIAL | FINISH | REMARKS | |
| UNITS | | SCALE | COUNT | DESCRIPTION OF REVISIONS | | DESIGNED | CHECKED | DATE |
| mm | | 2 : 1 | 1 | DIS-F-00005842 | | AK. IWAHORI | HT. YAMAGUCHI | 20200217 |
| HRS HIROSE ELECTRIC CO., LTD. | | APPROVED : HT. YAMAGUCHI | 20181210 | DRAWING NO. | | EDC-020066-63-00 | | |
| | | CHECKED : HT. YAMAGUCHI | 20181210 | PART NO. | | HIF3BA-50D-2. 54C(63) | | |
| | | DESIGNED : TS. OONO | 20181207 | CODE NO. | | CL610-1048-9-63 | | |
| | | DRAWN : MK. OOKI | 20181207 | | | | | |