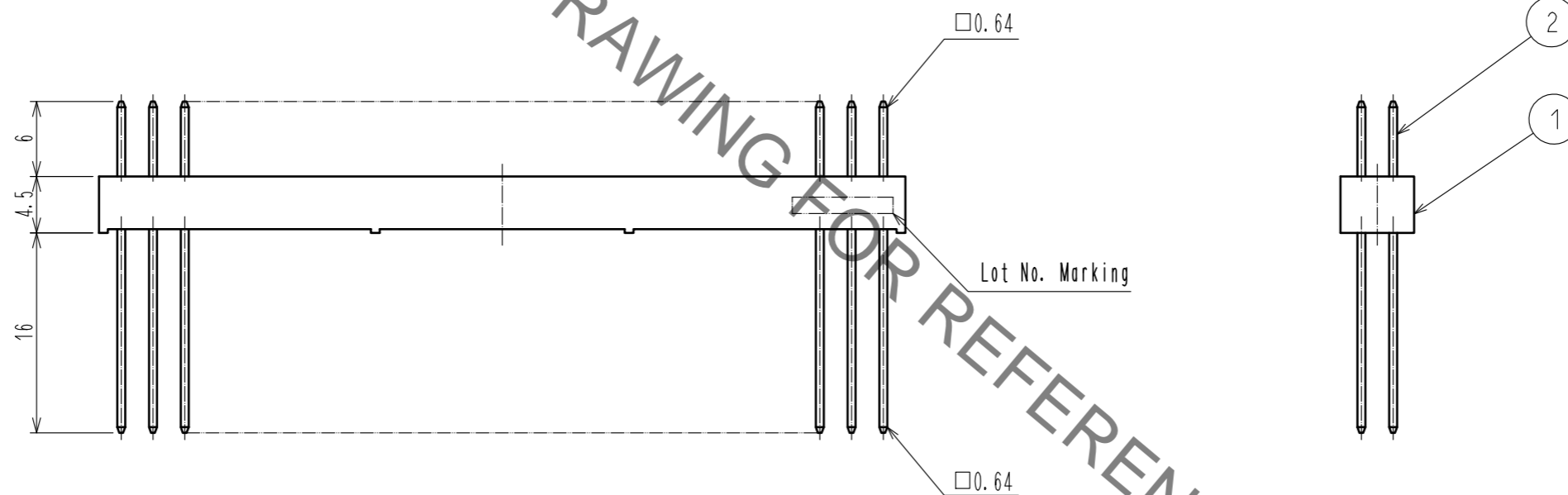
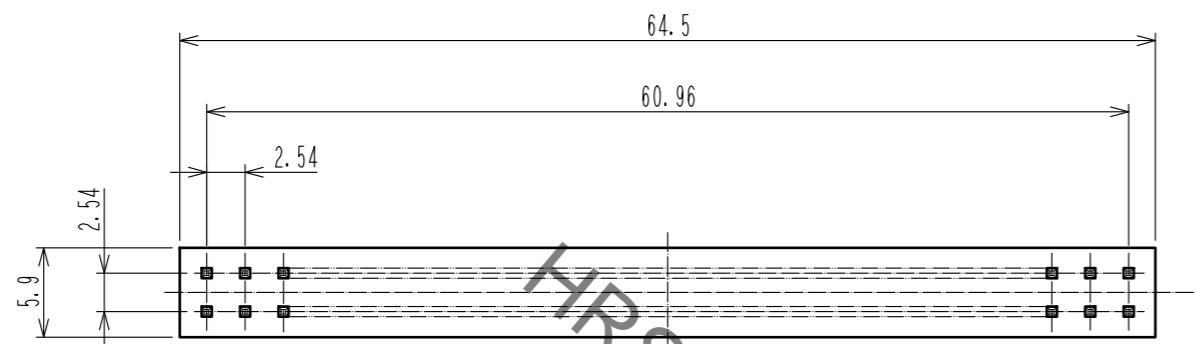


Sep.1.2020 Copyright 2020 HIROSE ELECTRIC CO., LTD. All Rights Reserved.
In case of consideration for using Automotive equipment / device which demand high reliability, kindly contact our sales window correspondents.



1	PBT	BLACK	UL94V-0	2	Phosphor bronze	Over plated : Gold
NO.	MATERIAL	FINISH	REMARKS	NO.	MATERIAL	FINISH . REMARKS
UNITS mm		SCALE 2 : 1	COUNT 	DESCRIPTION OF REVISIONS		DESIGNED
HRS HIROSE ELECTRIC CO., LTD.		APPROVED : HT. YAMAGUCHI	18.06.25	DRAWING NO.		EDC-021372-00-00
		CHECKED : HT. YAMAGUCHI	18.06.25	PART NO.		HIF3H-50P-2.54W
		DESIGNED : MT. ITANO	18.06.25	CODE NO.		CL618-0188-3-00
		DRAWN : MK. OOKI	18.06.21			